



PoolBond PB-2008 Kit Installation Instructions

Part No.
08KIT-AG
08KIT-15
08KIT-20

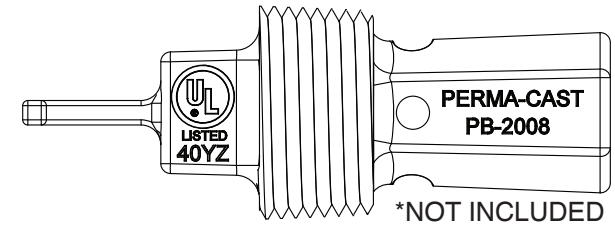
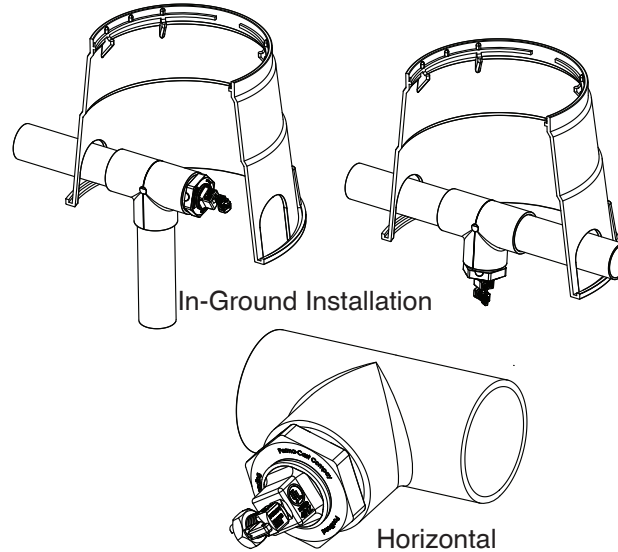


08KIT-15 08KIT-20

In-Ground Pool Plumbing Kit

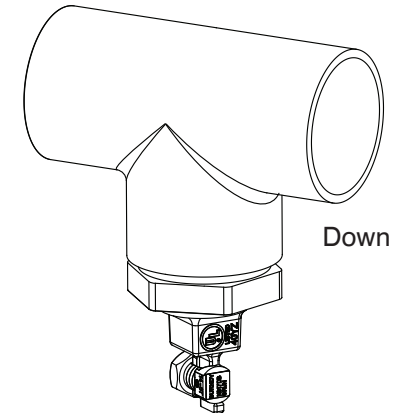
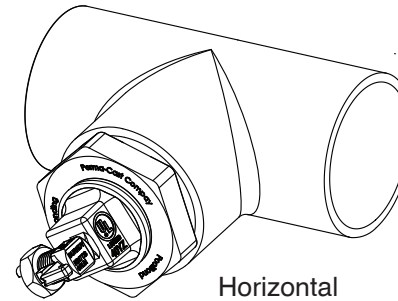
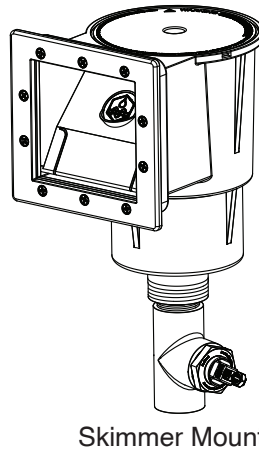
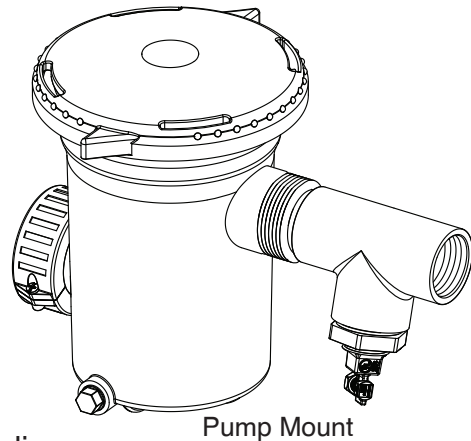
Installation Guidelines

- Install PoolBond Fitting 3" below water level to insure that pool water is bonded, even when pool equipment is off.
- PoolBond Fitting should be installed in a location where it can be periodically inspected. Sprinkler System Valve Box is shown in illustration(1).
- For Best Results use plumbers pipe dope to seal threads.
- Mount PoolBond fitting horizontal(2) to avoid trapping air in piping.
- Use PVC primer and cement to glue all slip joints.
- Do not overtighten PoolBond fitting. See installation instructions for PB-2008.



08KIT-AG

Above Ground Pool Plumbing Kit



Installation Guidelines

- Mount to pool pump(1) or skimmer(2). Mounting to pump will simplify wiring.
- For best results use plumbers pipe dope to seal threads.
- Tighten all pipe fittings sufficiently to avoid air intrusion (bubbles in water).
- Mount PoolBond Fitting horizontal(3) or down(4) to avoid trapping air in piping.
- Do not overtighten PoolBond Fitting. See installation instructions for PB-2008.



Perma-Cast Co. Pueblo, CO
www.permacastonline.com
Call 719-544-9544