

POOL BREAKDOWN

ROYAL SANDS ~ PS 20' x 12' OVAL 52"

RESIN TOP RAIL - RESIN VERTICAL

√	QTY	CARTON NUMBER	CARTON DESCRIPTION
	1	5-9902-835	ASSEMBLY PACK CARTON
	1	5-9841-835	TOP RAIL PACK CARTON
	1	5-9710-913	VERTICAL PACK CARTON
	1	5-0595-002	SIDEWALL CARTON
	1	5-8888-204	SUPPORT BASE CARTON
	1	5-8852-410	SIDE SUPPORT CARTON
	1	5-9999-314	TOP CONNECTOR CARTON
	1	5-9114-835	SKIRT PACK CARTON



CARTON BREAKDOWN

✓	ITEM	QTY	PART NUMBER	DESCRIPTION
ASSEMBLY PACK # 5-9902-835				
	1	10	583-1070	Stabilizer Rail (Large)
	2	8	583-1071	Stabilizer Rail (Small)
	3	10	580-2408	Vertical End Cap
	4	10	580-2407	Bottom connector
	5	4	580-2409	Side vertical end cap
	7	31	545-1001	Plastic coping
	8	12	589-1133	Bottom rail - stamped L 12
	10	2	589-1052	Bottom rail - side - stamped S
	11	—	—	—
	12	128	330-1127	Sheet metal screw, #10 x 1/2"
	15	10	330-1075	Pan head screw #14 x 1/2"
	17	10	580-2397	Vertical tab
	20	4	510-1008	Slotted pan head machine screw #10-24 - 1/2"
	21	4	321-1025	Square nut #10-24
	23	4	580-2159	Outer connector bracket
	24	—	—	—
	—	1	573-4083	Pool Parts List
	—	1	573-4058	Installation Instructions
	—	1	— — —	Warranty Card
	—	1	573-3169	"Safety First" Booklet
TOP RAIL PACK # 5-9841-835				
	25	14	587-1856	Top Rail
VERTICAL PACK # 5-9710-913				
	26	10	341-1525	Vertical
TOP CONNECTOR PACK # 5-9999-314				
	27	14	340-2799	Top Connector
SKIRT PACK # 5-9114-835				
	28	14	340-2800	Skirt
	29	14	510-1001	#10 x 1-1/2" Slotted Pan head screw
SIDEWALL CARTON # 5-0595-002				
	30	1	5-0595-002	Sidewall
	31	1	535-1442	Protective Strip
	32	26	321-1029	1/4-20 Hex Flange Locknut
	33	26	330-1280	1/4-20 x 1/2" Grade 5 Bolt
	—	1	560-1055	Warning Sign
	—	1	573-3169	"Safety First" Booklet
	—	1	573-3498	Safety DVD

SUPPORT BASE PACK # 5-8888-204

34	4	580-1779	Skid support
35	4	580-2071	Ground support - top
36	4	580-2072	Ground support - bottom
37	4	580-1869	Pressure pad
38	4	580-1870	Pressure pad
39	4	580-1792	Btm rail locator & cover
40	24	510-1035	#12x3/4" hex washer head screw
41	16	330-1220	3/8"-16 x 3-1/2" hex head bolt
42	16	321-1069	3/8-16 hex nut
43	16	510-1018	1/4-20 x 1/2" hex head bolt - grade 5
44	16	511-1000	1/4-20 hex nut
45	24	330-1127	Sheet metal screw, #10 x 1/2"

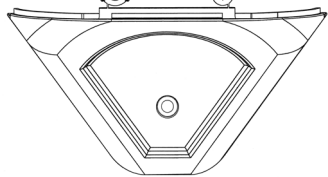
SIDE SUPPORT PACK # 5-8852-410

46	4	580-2413	Side support
----	---	----------	--------------

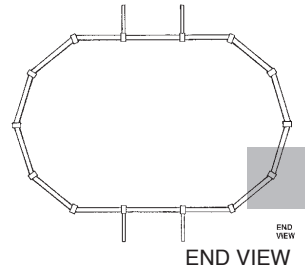
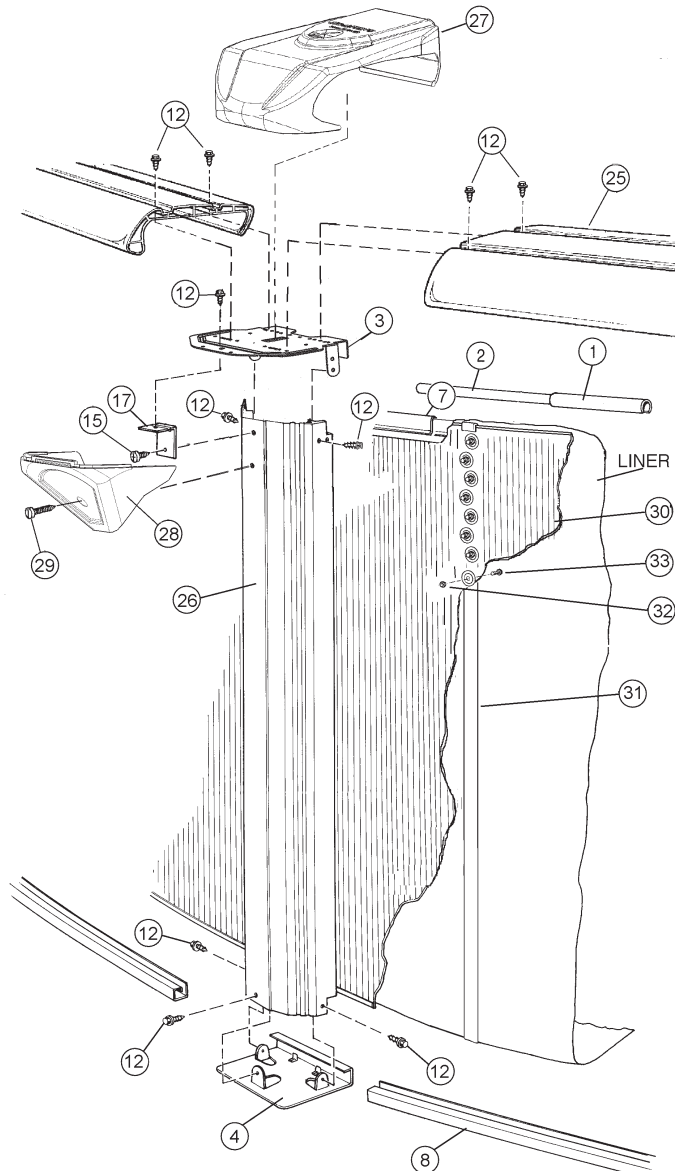
EXPLODED PARTS VIEW

REMOVE PRIOR TO INSTALLATION
ONLY USE ON SIDE SUPPORTS FOR
OVAL POOLS

REMOVE PRIOR TO
INSTALLATION.
USE PLUG TO COVER
SCREW HOLE AFTER
INSTALLATION.



FRONT VIEW - SKIRT



END VIEW

