

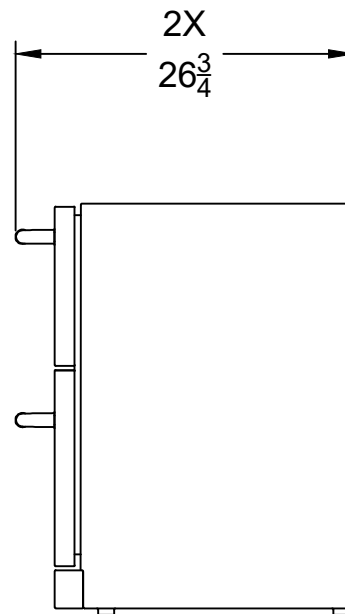
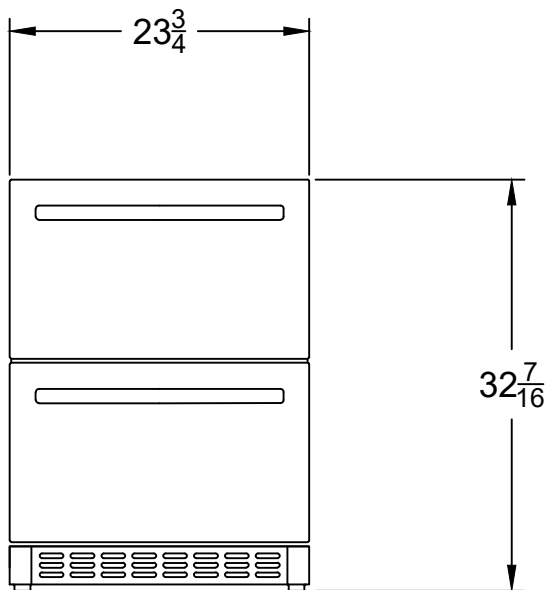
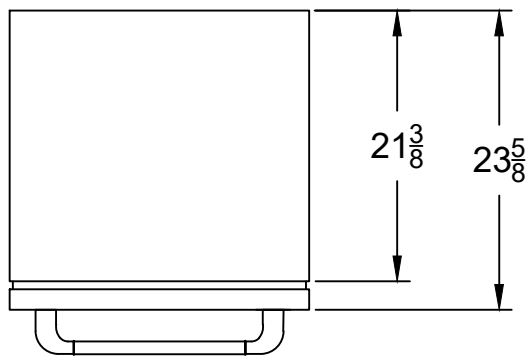


WWW.BULLBBQ.COM

SPEC SHEET 'DRAFT'

ITEM # 17400

DOUBLE DRAWER
OUTDOOR RATED
REFRIGERATOR



NOTES:

1. ALL DIMENSIONS ARE IN INCHES
2. INSTALLATION CUTOUT DIMENSIONS: ? LONG X ? WIDE ? DEEP
3. IF INSTALLING WITH BULL FINISHING FRAME ITEM #? INSTALLATION CUTOUT DIMENSIONS ARE ? LONG X ? WIDE X ? DEEP