

MULTIPLUS

**INSTALLATION & USER
GUIDE**

MULTI PLUS MANUAL OPERATION

When installing multiple lights, to ensure synchronization and ease of operation ALL Lights must operate from a single switch.

OPERATING INSTRUCTIONS

1. To change the color of the light, simply turn your light **OFF** for **2** seconds and then turn it back **ON**. This will signal the light to proceed to the next colour in sequence.
To select a desired colour, simply step through the colours until you find your desired selection.

Refer to **OPERATING MODE COLOURS** for available colours.

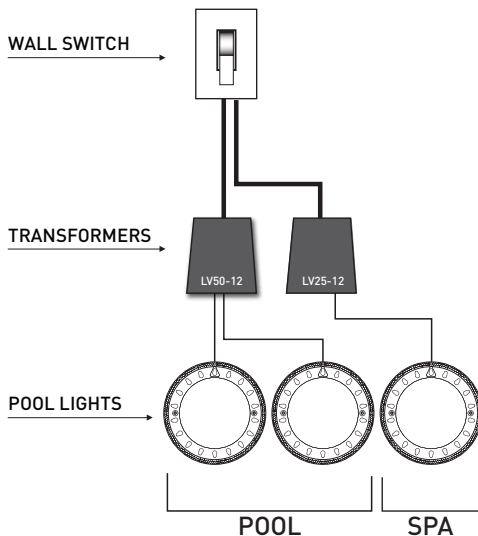
2. Your lights will automatically save your selected colour once the power has been turned **OFF** for more than **1** minute. So the next time the lights are used, they will illuminate on the last colour operated.
3. To reset or '**synchronize**' your lights; with the power turned **ON**, turn the power **OFF/ON** once rapidly. This will **RESET** your lights to **WHITE**

SYNCHRONIZED INSTALLATION

When installing multiple lights, to ensure synchronization and ease of operation ALL Lights must operate from a single switch.

Refer to **OPERATING MODE COLORS** for available colours.

WIRING INFORMATION [SYNCHRONISED POOL & SPA]



SYNCHRONIZED INSTALLATION

When installing multiple lights, to ensure synchronization and ease of operation ALL Lights must operate from a single switch.

QUICK SETUP - INTELLITOUCH/EASYTOUCH

NOTE: QUICK SETUP - INTELLITOUCH/EASYTOUCH is only available with MULTI PLUS lights produced after serial number: EM-10756 or W9-16029

STAGE 1 - POOL CONTROLLER SETUP

When connecting the Multi Plus light to an Aqualink, Intelitouch or Easytouch pool controller please ensure the system is fully installed and you have completed all the relevant steps in the controller setup menu to operate the lights correctly.

During pool controller setup ensure that the light model selected is INTELLIBRITE LIGHT

(For more information on this please refer to the pool controller installation manual).

NOTE: Some older pool controllers may not support these models. Please contact the controller manufacturer for upgrade assistance.

STAGE 2 - POOL LIGHT SETUP

Step 1 - Ensure the light has been turned off for atleast 30 seconds.

Step 2 - Navigate to the "Lights/Colors" menu on the pool controller Handset or Control Panel.

Step 3 - Select MAGENTA in the colour menu, and wait until the relays finish operating.

Step 4 - Select GREEN in the colour menu, and wait until the relays finish operating.

Step 5 - Select BLUE in the colour menu, and wait until the relays finish operating.

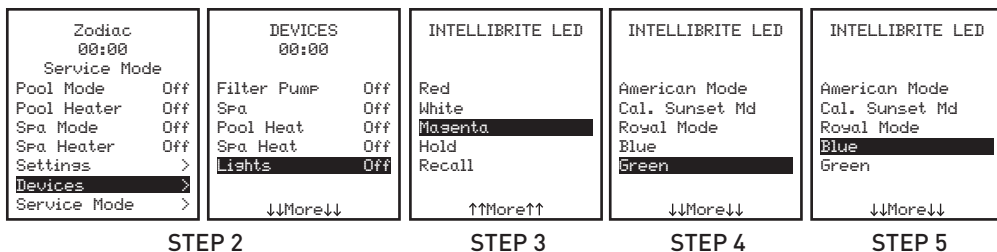
Step 6 - After 3 seconds the Multi Plus light will turn itself off for 1.5 seconds and turn on BLUE. This will indicate that the mode setup has been completed correctly

Note: Steps 3-5 must be performed within 5-90 seconds of the end of previous Step

INTELLITOUCH/EASY TOUCH CONTROLLERS



AQUALINK CONTROLLERS



QUICK SETUP - OMNILOGIC

NOTE: QUICK SETUP - OMNILOGIC is only available with MULTI PLUS lights produced after serial number: EM-10756 or W9-16029

STAGE 1 - POOL CONTROLLER SETUP

When connecting the Multi Plus light to an Omnilogic pool controller please ensure the system is fully installed and you have completed all the relevant steps in the controller setup menu to operate the lights correctly.

During pool controller setup ensure that the light model selected is (UCL) UNIVERSAL COLORLOGIC

NOTE : When prompted “Do you have any Universal ColorLogic lights that you’d like to set to UCL operational mode?” - Select NO

(For more information on this please refer to the pool controller installation manual).

NOTE: Some older pool controllers may not support these models. Please contact the controller manufacturer for upgrade assistance.

STAGE 2 - POOL LIGHT SETUP

Step 1 - Ensure the light has been turned off for atleast 30 seconds.

Step 2 - Navigate to the “Colour Shows” menu on the Omnilogic Control Panel.

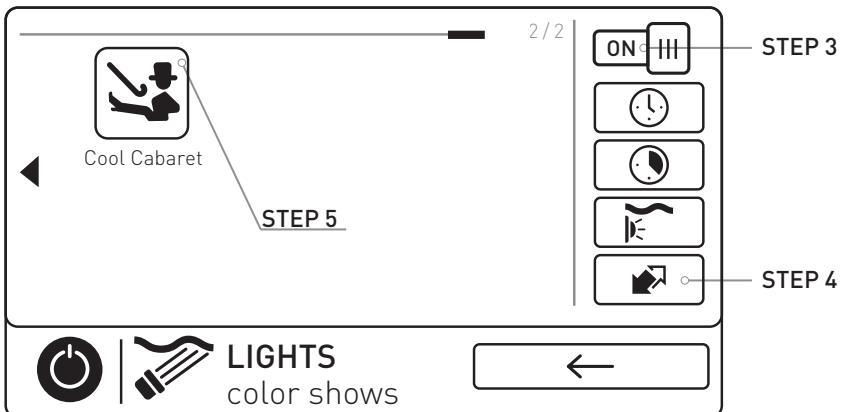
Step 3 - Slide the power slider to ON and wait until the “Light is Busy” message ends.

Step 4 - Press the RESET button and wait until the “Light is Busy” message ends.

Step 5 - Select COOL CABARET in the Colour Shows menu and wait until the “Light is Busy” message ends.

Step 6 - After 3 seconds the Multi Plus light will turn itself off for 1.5 seconds and turn on COOL CABARET. This will indicate that the mode setup has been completed correctly

Note: Steps 4-5 must be performed within 5-90 seconds of the end of previous Step



QUICK SETUP - JANDY AQUALINK RS/Z4

NOTE: QUICK SETUP JANDY AQUALINK RS/Z4 is only available with MULTI PLUS lights produced after serial number: EM-16942 or W9-19773

STAGE 1 - POOL CONTROLLER SETUP

When connecting the Multi Plus light to an Aqualink RS/Z4 pool controller please ensure the system is fully installed and you have completed all the relevant steps in the controller setup menu to operate the lights correctly.

**During pool controller setup ensure that the light model selected is
JANDY LED LIGHT**

(For more information on this please refer to the pool controller installation manual).

NOTE: Some older pool controllers may not support these models. Please contact the controller manufacturer for upgrade assistance.

STAGE 2 - POOL LIGHT SETUP

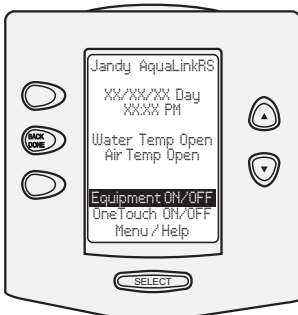
Step 1 - Ensure the light has been turned off for at least 30 seconds.

Step 2 - From the home screen on the control panel, Select "Equipment ON/OFF".

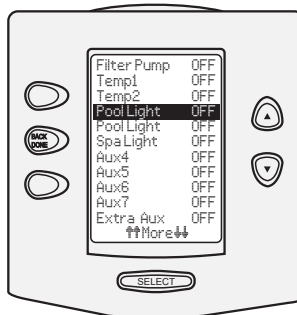
Step 3 - Select the channel for the lights, each channel will need to be setup individually.

Step 4 - Select DISCO TECH in the "Set Color" menu.

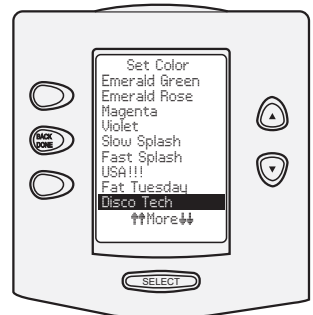
Step 5 - After the controller finishes power cycling, the Multi Plus light will turn itself off for 1.5 seconds and turn on DISCO TECH. This will indicate that the mode setup has been completed correctly



Step 2



Step 3



Step 4

MULTI PLUS MANUAL SETUP

Manual Multi Plus Setup is for installations where the use of a quick setup is not possible or a new MULTI-PLUS light is being installed with an existing Multi Colour or P-Type light.

The MULTI-PLUS light has 8 inbuilt modes of operation for use on a variety of different control systems or installation types.

When you first install your MULTI-PLUS light it will operate in the default, 'Manual' mode for use with a wall switch. In order to connect the light to a 3rd party pool controller OR change to a different operating mode please follow the below steps.

STEP 1 - POOL CONTROLLER SETUP

If connecting to a pool controller, please ensure the system is fully installed and you have completed all the relevant steps in the controller setup menu to operate the lights correctly.

During pool controller setup you will be prompted to select which light model is installed. Please use the below table to select the appropriate light for your pool controller type.

(For more information on this please refer to the pool controller installation manual).

| POOL CONTROLLER | SELECT LIGHT MODEL |
|-------------------------------------|----------------------|
| Astral Connect 10 (2016 to current) | SLX Light |
| Jandy Aqualink RS | Jandy |
| Zodiac Aqualink TRI/Z4 | Jandy |
| Pentair EasyTouch | Intellibrite |
| Pentair IntelliTouch | Intellibrite |
| Hayward Omnilogic | Universal Colorlogic |

*Hayward ProLogic Controllers:

Hayward Prologic controllers do not support MULTI PLUS integration. If you are using a Hayward ProLogic Controller, please leave MULTI PLUS lights programmed to (1. Manual Model) for the best operating experience.

NOTE: Some older pool controllers may not support these models. Please contact the controller manufacturer for upgrade assistance.

STEP 2 - LIGHT SETUP

IMPORTANT: Ensure Lights have been off for **30 seconds** prior to performing this step.

NOTE: This step can either be performed via a wall switch OR via the controller panel/Mobile App.

1. TURN LIGHTS ON



WAIT 1 SECOND

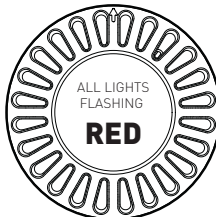
TURN LIGHTS OFF



WAIT 12 SECONDS
(min 10s - max 15s)

[REPEAT
x 3]

2. TURN LIGHTS ON



**SETUP MODE
ACCESSED**



NOTE: If ALL Lights connected to circuit are NOT continuously flashing RED, please turn Lights OFF & wait 30 seconds before repeating STEP 2

Continue to STEP 3



MULTI PLUS MANUAL SETUP cont.

STEP 3 - SELECTING OPERATING MODE

After accessing SETUP MODE (STEP 2) the lights will **FLASH RED** continuously. This is MODE 1 (Manual mode)

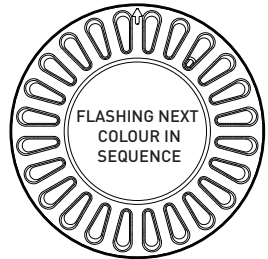
Use the below process to change the operating mode to correspond to the required controller or operating type below.

TURN LIGHTS **OFF**



WAIT **1** SECOND

TURN LIGHTS **ON**



IMPORTANT: Once desired mode is reached (i.e. "Flashing Green - iRIS Mode) leave power turned ON and continue to STEP 4

| 'FLASHING' COLOUR | CONTROLLER / OPERATING TYPE | LIGHT MODEL SELECTED* |
|-------------------|-------------------------------------|-----------------------|
| 1. RED | Manual Mode (wall switch) | - |
| 2. GREEN | Spa Electrics iRIS Controller | - |
| 3. MAGENTA | Astral Connect 10 (2016 to current) | SLX Light |
| 4. WHITE | Pentair EasyTouch | Intellibrite Light |
| | Pentair IntelliTouch | Intellibrite Light |
| 5. BLUE | RGB MULTI Mode* (Legacy) | - |
| 6. YELLOW | Hayward Omnilogic | Universal Colorlogic |
| 7. PINK | P-TYPE Mode* (Legacy) | Intellibrite Light |
| 8. AQUA | ZODIAC/JANDY | Jandy |

Continue to STEP 4



*Light Model Selected:

This indicates the model of light to be selected in the Pool Controller setup menu. Refer to STEP 1 of this manual for more information or please contact Spa Electrics.

*RGB MULTI Mode:

This mode allows the MULTI PLUS light to operate in the standard MULTI-Colour mode. This mode should only be used when operating a MULTI PLUS light from a wall switch with a standard Spa Electrics MULTI-Colour light. For more information please contact Spa Electrics.

*P-TYPE Mode:

This mode allows the MULTI PLUS light to operate in the RGB P-Type Colour mode. This mode should only be used when operating a MULTI PLUS light in conjunction with an existing Spa Electrics P-Type light. For more information please contact Spa Electrics.

MULTI PLUS MANUAL SETUP cont.

STEP 4 - SAVING OPERATING MODE

Once the desired operating mode is selected follow these steps to save the selection.

TURN SYSTEM **OFF**



WAIT **30** SECONDS

TURN SYSTEM **ON**



Important

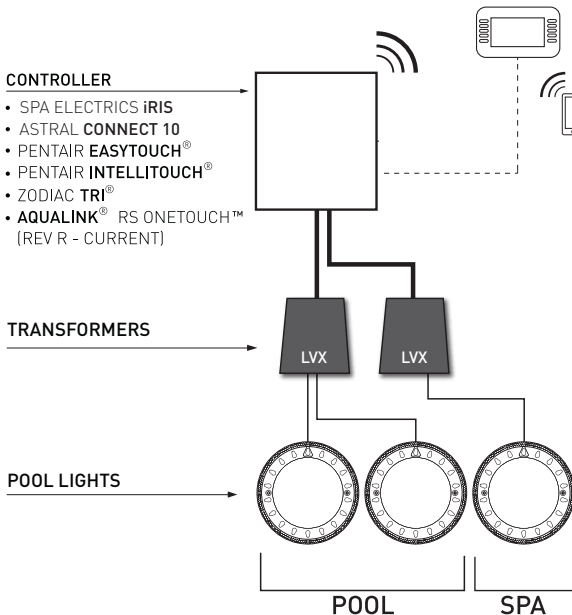
You must wait at least **30** Seconds prior to turning the system back **ON** or selection process will fail and setup will need to be restarted.

STEP 5 - CONFIRM OPERATION

Your setup should now be complete. To confirm the system is working correctly, select a colour via the controller or wall switch (depending on operating mode selected) and check to ensure all lights are synchronized and the correct colour is displayed.

Refer to **OPERATING MODE COLORS** for available colours.

CONNECTING TO POOL/LIGHTING CONTROLLER



OPERATING MODE COLOURS

MANUAL MODE

| | |
|----|-------------------|
| 1 | WHITE 4000K |
| 2 | AQUA |
| 3 | BLUE |
| 4 | MAGENTA |
| 5 | RED |
| 6 | LIME |
| 7 | GREEN |
| 8 | OCEANIC VIEWS |
| 9 | TRANSCENDENCE |
| 10 | OUTBACK AUSTRALIA |
| 11 | SPRING EQUINOX |

IRIS MODE

| | |
|----|-------------------|
| 1 | WHITE 4000K |
| 2 | AQUA |
| 3 | BLUE |
| 4 | MAGENTA |
| 5 | RED |
| 6 | LIME |
| 7 | GREEN |
| 8 | OCEANIC VIEWS |
| 9 | TRANSCENDENCE |
| 10 | OUTBACK AUSTRALIA |
| 11 | SPRING EQUINOX |

CONNECT 10 MODE

| | |
|----|-------------------|
| 1 | BLUE |
| 2 | MAGENTA |
| 3 | RED |
| 4 | ORANGE |
| 5 | GREEN |
| 6 | AQUA |
| 7 | WHITE |
| 8 | CUSTOMISED COLOUR |
| 9 | RAINBOW PATTERN |
| 10 | OCEAN PATTERN |
| 11 | DISCO PATTERN |

INTELLIBRITE MODE

| | |
|----|-------------------|
| 1 | SAM |
| 2 | PARTY |
| 3 | ROMANCE |
| 4 | CARIBBEAN |
| 5 | AMERICAN |
| 6 | CALIFORNIA SUNSET |
| 7 | ROYAL |
| 8 | BLUE |
| 9 | GREEN |
| 10 | RED |
| 11 | WHITE |
| 12 | MAGENTA |

RGB MULTI* MODE

| | |
|----|--------------------|
| 1 | BLUE |
| 2 | MAGENTA |
| 3 | RED |
| 4 | LIME |
| 5 | GREEN |
| 6 | AQUA |
| 7 | WHITE 1 |
| 8 | WHITE 2 |
| 9 | SLOW COLOUR BLEND |
| 10 | FAST COLOUR CHANGE |

UNIVERSAL COLORLOGIC MODE

| | |
|----|-----------------|
| 1 | VOODOO LOUNGE |
| 2 | DEEP BLUE SEA |
| 3 | ROYAL BLUE |
| 4 | AFTERNOON SKIES |
| 5 | AQUA GREEN |
| 6 | EMERALD |
| 7 | CLOUD WHITE |
| 8 | WARM RED |
| 9 | FLAMINGO |
| 10 | VIVID VIOLET |
| 11 | SANGRIA |
| 12 | TWILIGHT |
| 13 | TRANQUILITY |
| 14 | GEMSTONE |
| 15 | USA |
| 16 | MARDI GRAS |
| 17 | COOL CABARET |

P-TYPE MODE

| | |
|----|-------------------|
| 1 | SAM |
| 2 | PARTY |
| 3 | ROMANCE |
| 4 | CARIBBEAN |
| 5 | AMERICAN |
| 6 | CALIFORNIA SUNSET |
| 7 | ROYAL |
| 8 | BLUE |
| 9 | GREEN |
| 10 | RED |
| 11 | RGB WHITE |
| 12 | MAGENTA |

AQUALINK RS/Z4 MODE

| | |
|----|-----------------------|
| 1 | ALPHA WHITE |
| 2 | SKY BLUE |
| 3 | COBALT BLUE |
| 4 | CARIBBEAN BLUE |
| 5 | SPRING GREEN |
| 6 | EMERALD GREEN |
| 7 | EMERALD ROSE |
| 8 | MAGENTA |
| 9 | VIOLET |
| 10 | SLOW COLOR SPLASH |
| 11 | FAST COLOR SPLASH |
| 12 | AMERICA THE BEAUTIFUL |
| 13 | FAT TUESDAY |
| 14 | DISCO TECH |

Connect 10® is a registered trademark of AstralPool Australia and/or its affiliated companies in the United states or other countries.
 IntelliBrite® is a registered trademark of Pentair Water Pool and Spa, Inc and/or its affiliated companies in the United states or other countries.
 Colorlogic® is a registered trademark of Hayward Industries Inc. and/or its affiliated companies in the United states or other countries.
 AQUALINK® is a registered trademark of JANDY INDUSTRIES, INC. and/or its affiliated companies in the United states or other countries.
 Spa Electrics Pty Ltd Australia and it's brands are not affiliated or endorsed by these companies and/or their brands.



NOTE

PLEASE STORE THIS
MANUAL IN A SAFE PLACE
FOR FUTURE REFERENCE

Proudly manufactured by

Spa Electrics



www.spaelectrics.com

© COPYRIGHT 2019 SPA ELECTRICS PTY. LTD.
ALL RIGHTS RESERVED

20190703