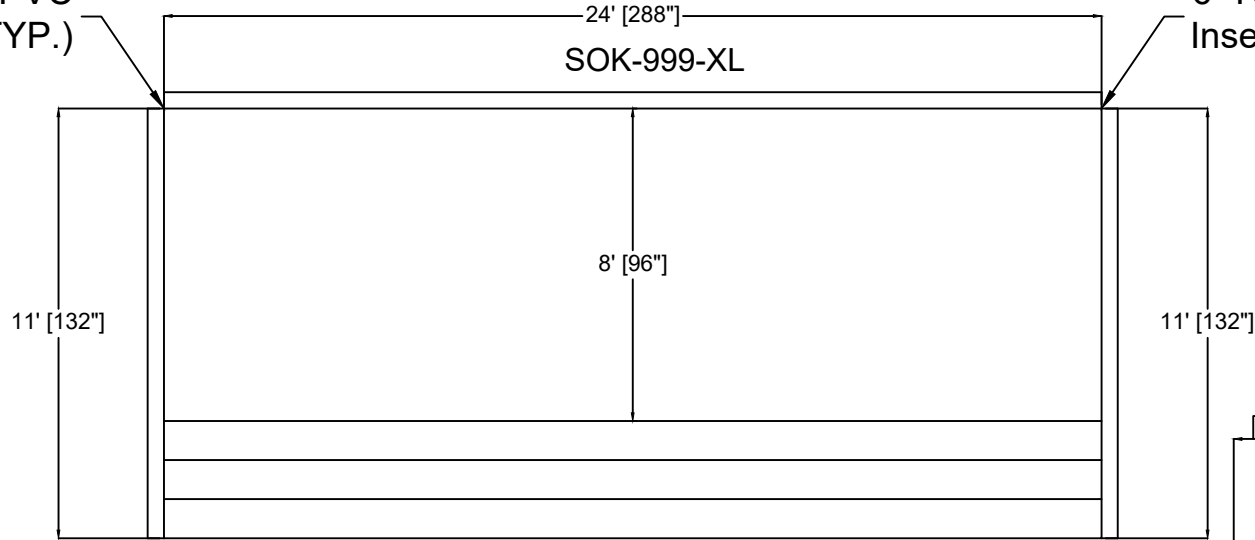


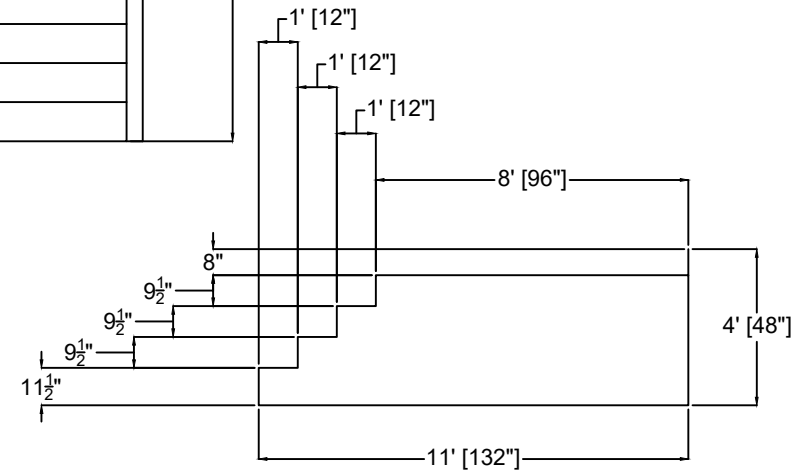
6" RAD PVC  
Insert (TYP.)



6" RAD PVC  
Insert (TYP.)

CUSTOM OPEN TOP STEEL STEP W/LEDGE

STEEL WALL PERIMETER = 46'  
EXTENDED TREAD AREA = 192 SQ.FT  
TOTAL SURFACE AREA = 264 SQ.FT



*latham*

The Pool Company

CUSTOMER: SCP/Olive Branch

REF: ROYAL SWIMMING/CSA0CSNXXXDA8X2

PO#:

LNR SQFT:

CVR SQFT:

PERIM:

Preliminary Drawing Only

Approval required for completion of design.

X \_\_\_\_\_

DRAWING#: 2022-SPL-79469

DATE: 09-11-2022

SHEET: 1 OF 1