



# POOL BREAKDOWN

## 7" TOP RAIL 8' ROUND 52" STEEL TOP RAIL - STEEL VERTICAL

| √ | QTY | CARTON NUMBER | CARTON DESCRIPTION   |
|---|-----|---------------|----------------------|
|   | 1   | 5-9908-730    | ASSEMBLY PACK CARTON |
|   | 1   | 5-9855-700    | TOP RAIL PACK CARTON |
|   | 1   | 5-9710-700    | VERTICAL PACK CARTON |
|   | 1   | 5-XXXX-008    | SIDEWALL CARTON      |
|   | 1   | 5-9110-700    | SKIRT PACK CARTON    |
|   | 1   | 5-9999-1710   | TOP CONNECTOR PACK   |
|   |     |               |                      |
|   |     |               |                      |
|   |     |               |                      |
|   |     |               |                      |



# CARTON BREAKDOWN

| ✓                                 | ITEM | QTY | PART NUMBER | DESCRIPTION |
|-----------------------------------|------|-----|-------------|-------------|
| <b>TOP RAIL PACK # 5-9855-700</b> |      |     |             |             |
|                                   | 1    | 10  | 587-1595    | Top Rail    |

|                                |   |    |          |                                 |
|--------------------------------|---|----|----------|---------------------------------|
| <b>SKIRT PACK # 5-9110-700</b> |   |    |          |                                 |
|                                | 2 | 10 | 340-2553 | Vertical skirt                  |
|                                | 3 | 20 | 330-1023 | Hex washer head screw #8 x 5/8" |
|                                | 4 | 20 | 330-1127 | Sheet metal screw, #10 x 1/2"   |

|                                   |    |    |          |                               |
|-----------------------------------|----|----|----------|-------------------------------|
| <b>ASSEMBLY PACK # 5-9908-730</b> |    |    |          |                               |
|                                   | 5  | 6  | 583-1059 | Stabilizer Rail (Large)       |
|                                   | 6  | 6  | 583-1060 | Stabilizer Rail (Small)       |
|                                   | 7  | 20 | 580-2299 | Vertical End Cap              |
|                                   | 8  | 10 | 580-2055 | Outer connector bracket       |
|                                   | 10 | 22 | 545-1001 | Plastic coping                |
|                                   | 11 | 10 | 589-1202 | Bottom rail - stamped 8       |
|                                   | 16 | 90 | 330-1127 | Sheet metal screw, #10 x 1/2" |
|                                   | 17 | 10 | 510-1038 | Machine screw #6-32 x 1/2"    |
|                                   | 18 | 10 | 321-1088 | Hex nut #6-32                 |
|                                   | —  | 1  | 573-4392 | Pool Parts List               |
|                                   | —  | 1  | 573-3645 | Installation Instructions     |
|                                   | —  | 1  | — — —    | Warranty Card                 |
|                                   | —  | 1  | 573-3169 | "Safety First" Booklet        |

|   |   |    |          |               |
|---|---|----|----------|---------------|
| <b>TOP CONNECTOR PACK # 5-9999-1710</b> |   |    |          |               |
|   | 9 | 10 | 340-2644 | Top connector |

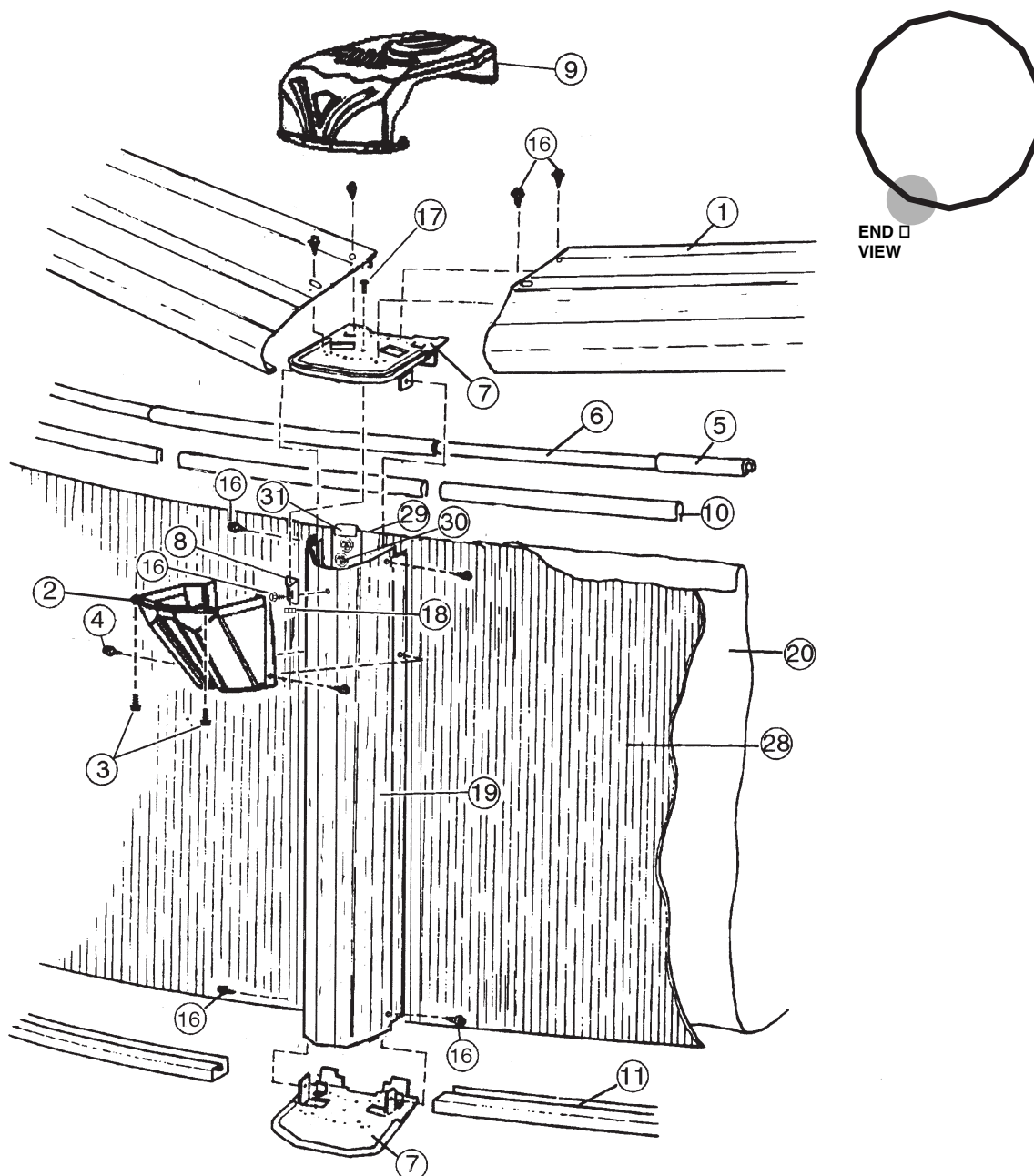
|                                   |    |    |          |          |
|-----------------------------------|----|----|----------|----------|
| <b>VERTICAL PACK # 5-9710-700</b> |    |    |          |          |
|                                   | 19 | 10 | 580-2278 | Vertical |

|                        |    |    |            |                            |
|------------------------|----|----|------------|----------------------------|
| <b>SIDEWALL CARTON</b> |    |    |            |                            |
|                        | 28 | 1  | 5-XXXX-008 | Sidewall                   |
|                        | 29 | 26 | 330-1280   | 1/4-20 x 1/2" Grade 5 Bolt |
|                        | 30 | 26 | 321-1029   | 1/4-20 Hex Flange Locknut  |
|                        | 31 | 1  | 535-1442   | Protective Strip           |
|                        | —  | 1  | 560-1055   | Warning Sign               |
|                        | —  | 1  | 573-3169   | "Safety First" Booklet     |
|                        | —  | 1  | 573-3498   | Safety DVD                 |

WRITE SIDEWALL NUMBER HERE \_\_\_\_\_

WRITE SIDEWALL BOX SERIAL NUMBER HERE \_\_\_\_\_

# EXPLODED PARTS VIEW



**Important!** Above-ground pools are designed for swimming and wading only. Do not Dive or Jump! Misuse of your pool may result in crippling injury and/or other dangers to life and health. Do not use slides, diving boards, or any other platform or object which can be used for improper pool entry. Use only an above-ground swimming pool ladder or entry system to enter or exit your pool. Never attempt to swim or reach behind ladders or any other pool entry system. It is the pool owner's responsibility to secure the pool against unauthorized, unsupervised or unintentional entry. It is also the pool owner's responsibility to warn all pool users of the hazards of diving into shallow water: paralyzing injury may result. Always obey all safety rules. Remember, pool safety is everybody's responsibility.

Safety decals and caution information provided with your pool have been endorsed by the U.S. Consumer Product Safety Commission. It is mandatory that the pool owner and installer follow the installation and use directions for all provided safety signs and decals. Juveniles must be supervised at all times by a responsible adult as directed by the USCPSC.

Change of Design: The manufacturer (Hill) expressly reserves the right to change or modify the design and construction of any product in due course of their manufacturing procedures, without incurring any obligation to furnish or install such changes or modifications on products previously or subsequently sold.