

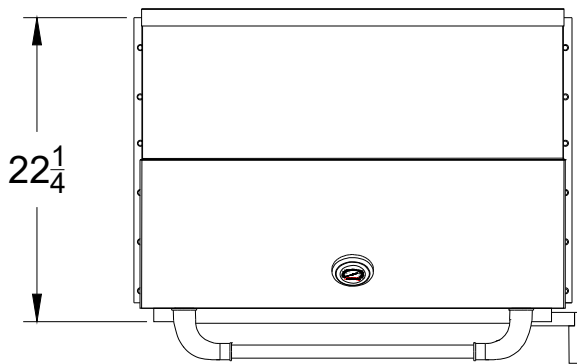


[WWW.BULLBBQ.COM](http://WWW.BULLBBQ.COM)

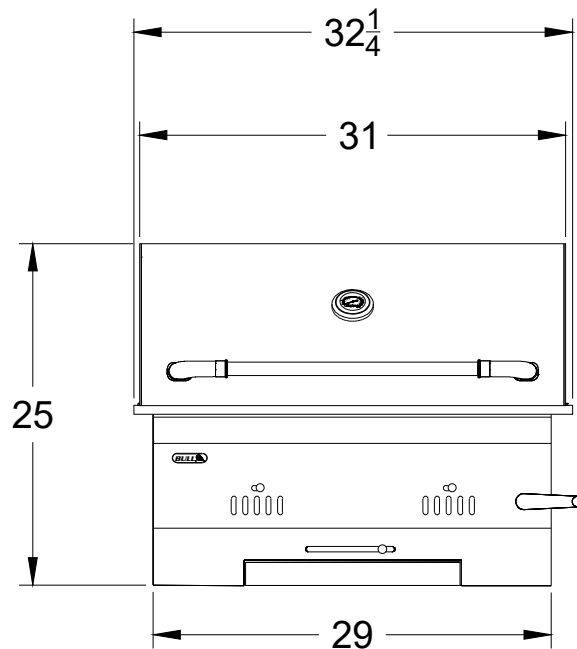
**SPEC SHEET**  
**ITEM #88787**  
**BISON PREMIUM**  
**CHARCOAL GRILL**



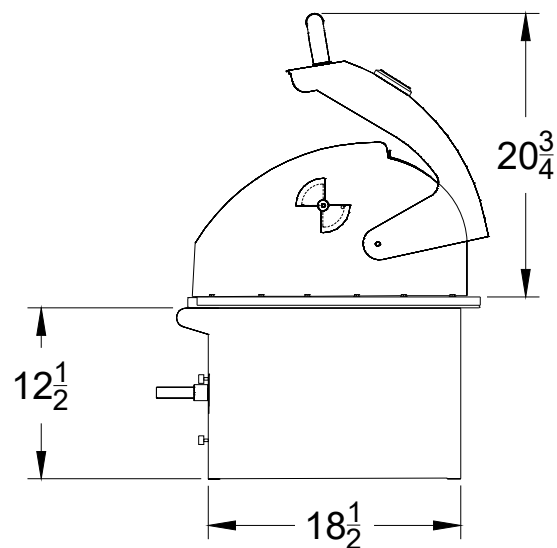
ISOMETRIC VIEW



TOP VIEW



FRONT VIEW



SIDE VIEW WITH LID OPEN

**NOTES:**

1. ALL DIMENSIONS ARE IN INCHES
2. INSTALLATION CUTOUT DIMENSIONS: 29 1/2 WIDE X 12 1/2 TALL X 18 1/2 DEEP