



AQR100

Chlorine Generator for Inground
Swimming Pools up to 30,000 gallons

Owner's Manual



Contents

Introduction.....	2
Installation.....	3
Pool Chemistry.....	9
Operation.....	12
Troubleshooting.....	15
Mounting Hole Template.....	18
Warranty.....	18

AQR100

Hayward Pool Products
620 Division Street, Elizabeth NJ 07207
Phone (908)-355-7995
www.hayward.com



HAYWARD®

IMPORTANT SAFETY INSTRUCTIONS

When installing and using this electrical equipment, basic safety precautions should always be followed, including the following:

- READ AND FOLLOW ALL INSTRUCTIONS
- TO REDUCE THE RISK OF DROWNING FROM HAIR AND BODY ENTRAPMENT, INSTALL A SUITABLY RATED SUCTION GUARD TO MATCH THE MAXIMUM FLOW RATE MARKED. ATTENTION : LES PRISES D'ASPIRATION DOIVENT ETRE EQUIPEES DE GRILLES CONVENANT AU DEBIT MAXIMAL INDIQUE.
- **WARNING:** To reduce the risk of injury, do not permit children to use this product unless they are closely supervised at all times.
- Do not bury cord. Locate cord to minimize abuse from lawn mowers, hedge trimmers, and other equipment.
- **WARNING:** To reduce the risk of electric shock, replace damaged cord immediately.
- **CAUTION:** To reduce the risk of electric shock, install at least 10 feet (3 meters) horizontally from the inside walls of a pool or spa/hot tub. Do not use an extension cord. ATTENTION : MAINTENIR UNE DISTANCE MINIMALE D'UN METRE, MESUREE DANS UN PLAN HORIZONTAL, ENTRE LE BASSIN ET LES APPAREILS ET COMMANDES.
- For Canadian Units: At least two lugs marked "BONDING LUGS" are provided on the external surface or on the inside of the supply terminal box or compartment. To reduce the risk, connect the local common bonding grid in the area of the hot tub or spa to these terminals with an insulated or bare copper conductor not smaller than No. 6 AWG.

SAVE THESE INSTRUCTIONS



HAYWARD®

Introduction

The AQR100 is an automatic chlorine generation system for pool sanitization. **It is designed for inground swimming pools up to 30,000 gallons only. The AQR100 is NOT to be used with above ground pools or with inground pools greater than 30,000 gallons.**

The AQR100 requires a low concentration of salt (sodium chloride) in the pool water. It automatically sanitizes your pool by converting the salt into free chlorine which kills bacteria and algae in the water. Chlorine will revert back to sodium chloride after killing bacteria. These reactions will continuously recycle virtually eliminating the need to add sanitizing chemicals to your pool.

The AQR100 can handle the purification needs of most residential swimming pools up to 30,000 gallons (113,000 liters). This unique low cost chlorine generator uses a replaceable electrolytic Cell that is designed to last for one pool season.

NOTE: The actual amount of chlorination required to properly sanitize a pool varies due to bather load, rainfall, temperature, and the pool's cleanliness.

NOTE: Before installing this product as part of a saline water purification system in a pool or spa using natural stone for coping or for immediately adjacent patios/decking, a qualified stone installation specialist should be consulted regarding the appropriate type, installation, sealant (if any) and maintenance of stone used around a saline pool with electronic chlorine generator in your particular location and circumstances.

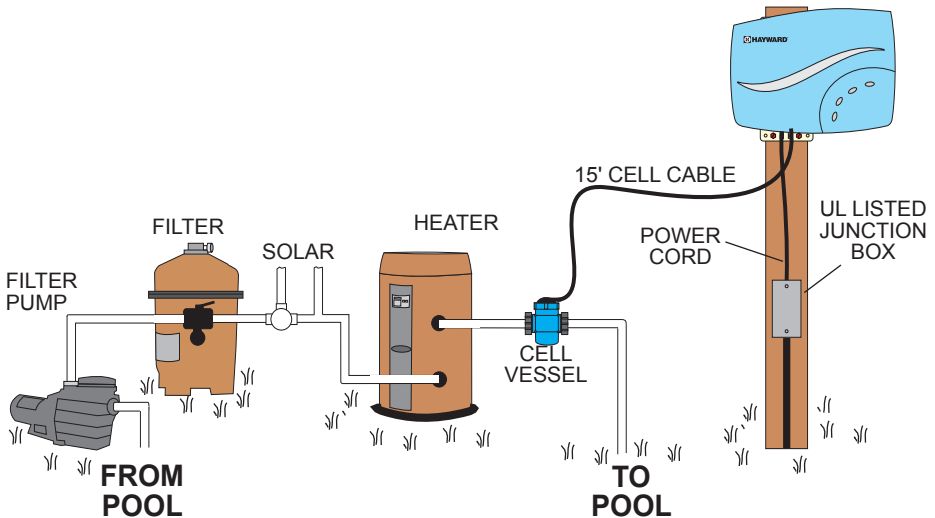
NOTE: The use of dry acid (sodium bisulfate) to adjust pool pH is discouraged especially in arid regions where pool water is subject to excessive evaporation and is not commonly diluted with fresh water. Dry acid can cause a buildup of by-products that can damage your chlorinator Cell.



HAYWARD®

Installation

Remove power to the pool filter pump before starting this installation. Installation must be performed in accordance with Local and NEC codes. The AQR100 can be powered by either 120 VAC or 240 VAC from the same circuit as the pool pump. Its 6 ft. power cord must be connected to power within a junction box. The Control Box must be mounted a minimum of 10 ft. horizontal distance (or more, if local codes require) from the pool and within 15 ft. from where the Cell will be installed. Take care to protect the Cell Cap connector pins while handling the AQR100 unit during installation. If the supply cord is damaged, it must be replaced by the manufacturer, its service agent or similarly qualified persons in order to avoid a hazard.



Preparing Pool Water

To prepare the pool water for AQR100 operation, the pool's chemistry must be balanced and salt must be added. This must be done **BEFORE** activating the AQR100. Some adjustments to your pool chemistry may take several hours, so start the procedure well before you intend to operate the AQR100.

To properly prepare your pool water for use with the AQR100, refer to the "Pool Chemistry" section on page 9 of this manual.

Adding Salt: Add salt several hours or, if possible, 1 day prior to operating the AQR100. Take care not to exceed the recommended salt level. Measure salt 6-8 hours after adding to the pool.

NOTE: If the pool does not have new water, add 1 quart (1 liter) of metal remover and 1 quart (1 liter) of non-copper based algaecide to the pool, per manufacturer's instructions. This ensures a quick, troublefree transfer to the AQR100 system.



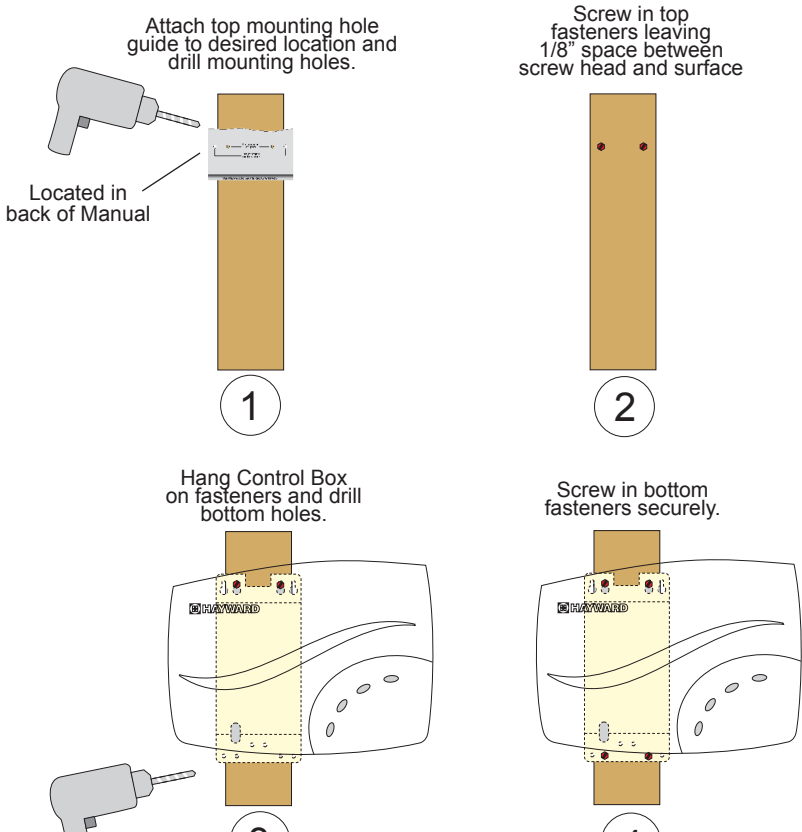
HAYWARD®

Mounting the AQR100 Control Box

The AQR100 is contained in a raintight enclosure that is suitable for outdoor mounting. The Control Box must be mounted a minimum of 10 ft. (4 meters) horizontal distance (or more, if local codes require) from the pool and within 15 ft. from where the Cell is installed.

The Control Box is designed to mount vertically on a flat surface with the cables facing downward. Because the enclosure also acts as a heat sink (disperses heat from inside the box), it is important not to block the four sides of the Control Box. Do not mount the Control Box inside a panel or tightly enclosed area.

Before securing the Control Box to the intended location, make sure that the Cell cable will reach the location where the Cell Vessel will be installed. For mounting information, refer to the diagram below. Select appropriate fasteners for your mounting surface that are suitable for a 20lb load. The mounting template shown in Step 1 can be found on page 18.



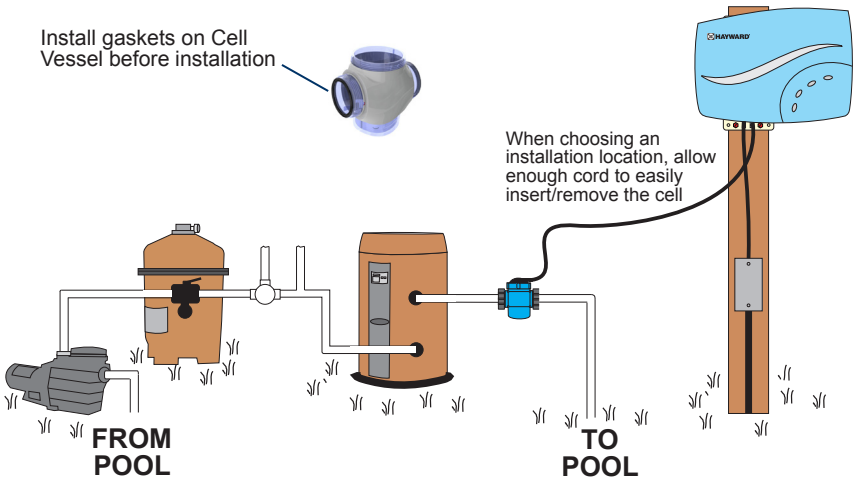


HAYWARD®

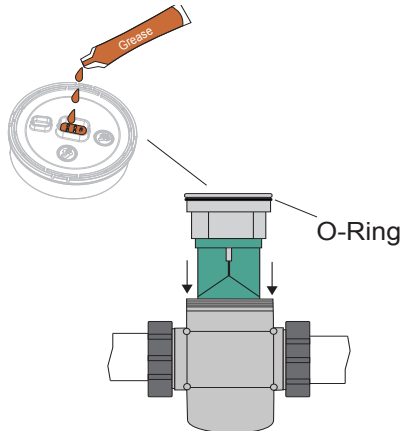
Plumbing

The Cell Vessel is designed to install in 2" (51mm) PVC pool plumbing. For pools using 1½" (38 mm) polypipe, you must use a 2" adapter. The Cell Vessel must be installed on approximately 10" run of straight pipe at the end of the return piping just before the water returns to the pool. All pool equipment should be upstream from the Cell Vessel as shown in the diagram below. It must be located within 15 feet of where the Control Box is mounted. Also, position the Vessel in a manner where the Cell can be easily inserted and removed.

With power removed to the pump and water drained from the pool plumbing, cut the plumbing in the desired location and glue the unions to the pipe. Install the included rubber gaskets on the Cell Vessel then install the Cell Vessel into the plumbing by handtightening the unions.



Remove the foam protector from the Cell. Verify that the O-Ring is attached before inserting the Cell into the Cell Vessel. Fully cover Cell pins with supplied grease as shown.

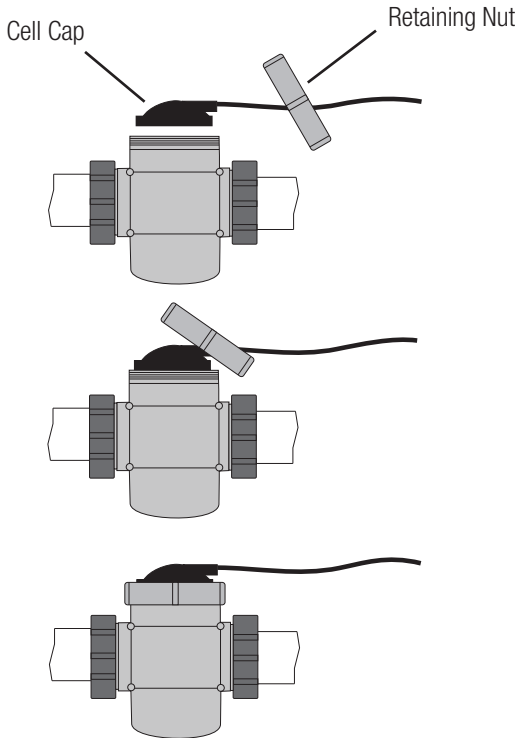




HAYWARD®

Connect and Fasten Cell Cap

Slip the Cell Cap through the Retaining Nut as shown below. Plug the Cell Cap into the Cell and secure with the Retaining Nut.



Wiring

Power must be shut off at the circuit breaker before performing any wiring. Be sure to follow Local and NEC electrical codes. To provide safe operation, the AQR100 should be installed by a qualified service professional and must be properly grounded and bonded.

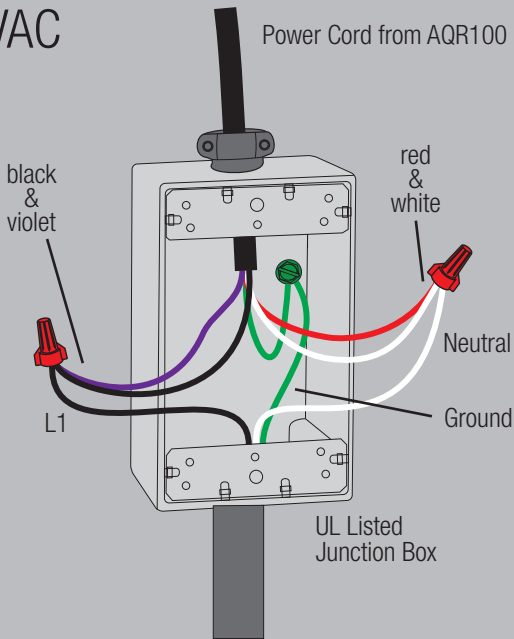
The AQR100 can be powered by either 120 VAC or 240 VAC and must be wired in a manner that the AQR100 turns on and off with the pool pump. If the pump is connected to a timeclock or switch, wire the AQR100 in parallel.

Locate the 6 ft. long five conductor cable coming from the Control Box. These five colored wires are used to select voltage and apply power to the AQR100. Refer to the wiring label on the AQR100 as well as the diagrams on the following page to determine correct wiring connections for either 120 VAC or 240 VAC. Cut the cable and conductors to length and ensure that all connections are made within a UL Listed junction box. Attach the junction box cover when wiring is complete.

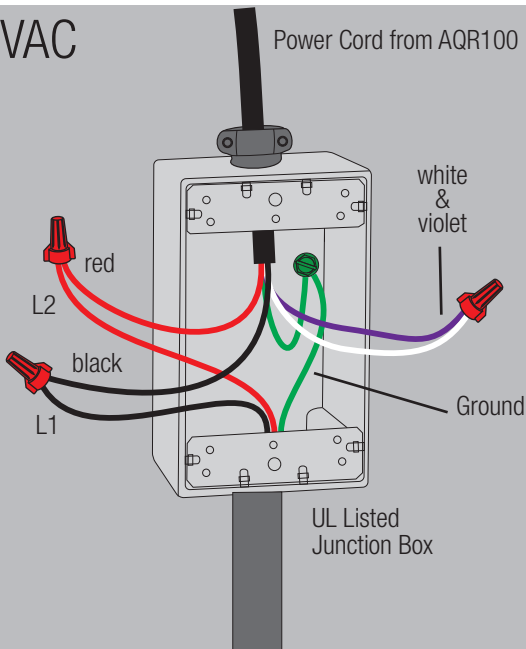


HAYWARD®

120 VAC



240 VAC

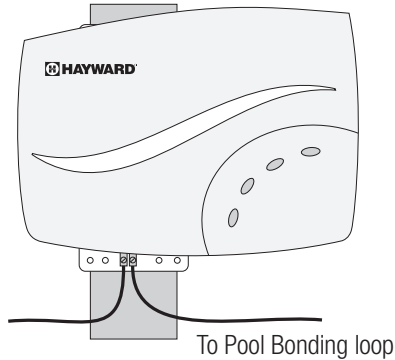




HAYWARD®

Bonding

Pool bonding or “equipotential bonding” ensures that all pool components around the pool are at the same electrical potential. If bonding is required at your location (see Local and NEC codes), bonding lugs are provided at the bottom of the AQR100 enclosure. Run an 8 AWG solid copper wire (6 AWG Canada) from the bonding lug to your pool’s existing bonding loop.



IMPORTANT: Before going any further, the pool water must be balanced and salt must be added to your pool. If this has not already been done, refer to the “Pool Chemistry” section on page 9 of this manual for information on how to prepare your pool water for AQR100 operation.



Pool Chemistry

The table below summarizes the levels that are recommended by The Association of Pool and Spa Professionals (APSP). It is important to maintain these levels in order to prevent corrosion or scaling and to ensure maximum performance from your AQR100 chlorine generator. Your authorized AQR100 dealer or most pool stores can provide you with the chemicals and procedures to adjust the water chemistry as well.

Note that pool water emanating from wells and municipal water supplies, along with the introduction of environmental contaminants, can contain chemistries that are deleterious to the life expectancy of the Cell.

CHEMICAL IDEAL LEVELS

Salt	1500 to 4500 ppm (3200 ideal)
Free Chlorine	1.0 to 3.0 ppm
pH	7.2 to 7.8
Cyanuric Acid (Stabilizer)	Outdoor Pools 30-50 ppm Indoor Pools - 0 ppm
Total Alkalinity	80 to 120 ppm
Calcium Hardness	200 to 400 ppm
Metals	0 ppm
Saturation Index	-.2 to .2 (0 best)

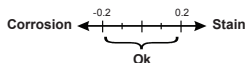
Saturation index

The saturation index (Si) relates to the calcium and alkalinity in the water and is an indicator of the pool water “balance”. Your water is properly balanced if the Si is 0 ± 0.2 . If the Si is below -0.2 , the water is corrosive and plaster pool walls will be dissolved into the water. If the Si is above $+0.2$, scaling and staining will occur. Use the chart below to determine the saturation index.

$$Si = pH + Ti + Ci + Ai - TDS$$

°C	°F	Ti	Hardness Calcium	Ci	Total alkalinity	Ai	Total Dissolved Solids	TDS
12	53	0.3	75	1.5	75	1.9	0-1000	12.10
16	60	0.4	100	1.6	100	2.0		
			125	1.7	125	2.1	1001-2000	12.29
19	66	0.5	150	1.8	150	2.2		
			200	1.9	200	2.3	2001-3000	12.35
24	76	0.6	250	2.0	250	2.4		
29	84	0.7	300	2.1	300	2.5		
			400	2.2	400	2.6	3001-4000	12.41
34	94	0.8	600	2.4	600	2.8		
39	102	0.9	800	2.5	800	2.9	4001-5000	12.44

Use: Measure the pH of the pool water, the temperature, water hardness, total alkalinity, and total dissolved solids. Use the table above to determine Ti, Ci, Ai, and TDS in the formula shown above. If the Si is equal to 0.2 or more, stains may appear. If the Si is equal to -0.2 or less, corrosion or deterioration may occur.





Salt Level

Determining the optimal salt concentration for your pool should be based on your desired pump run time and the size of your pool. Use the chart on page 11 to determine how much salt in pounds or (Kgs) need to be added to reach the recommended levels. Use the equations below (measurements are in feet/gallons and meters/liters) if pool size is unknown.

	Gallons (pool size in feet)	Liters (pool size in meters)
Rectangular	Length x Width x Average Depth x 7.5	Length x Width x Average Depth x 1000
Round	Diameter x Diameter x Average Depth x 5.9	Diameter x Diameter x Average Depth x 785
Oval	Length x Width x Average Depth x 6.7	Length x Width x Average Depth x 893

The AQR100 is designed to operate with a salt level between 1500-4500 ppm (parts per million), with 3200 ppm being ideal. This broad operating range offers the flexibility to use a salt level that best suits your pool application. Note that lower salt levels will reduce the efficiency of the AQR100 and result in lower chlorine production. This lower chlorine production may require longer run times to effectively sanitize the pool. If the pool is too large or the salt level too low, you may not produce enough chlorine to meet your pool's demand. In general,

- For pools up to 15,000 gallons, lower salt levels (1500 - 2700 ppm) may be used. Higher levels can also be used and will require less operating time.
- For pools larger than 15,000 gallons and up to 30,000 gallons, salt concentration should be higher than 2800 ppm. Note that a high salt level can begin to give a salty taste to your pool and can even cause the AQR100 to shut down. Generally, salt will begin to be tasted at a level of about 3500-4000+ ppm.

The salt in your pool is constantly recycled and the loss of salt throughout the swimming season should be small. This loss is due primarily to the addition of water because of splashing, backwashing, or draining (because of rain). Salt is not lost due to evaporation.

Type of Salt to Use

It is important to use only sodium chloride (NaCl) salt that is greater than 99% pure. This is common food quality or water softener salt and is usually available in 40-80 lb. bags labeled "Coarse Solar Salt" or "Pool Salt". It is also acceptable to use water conditioning salt pellets, however, it will take longer for them to dissolve. Do not use rock salt, salt with yellow prussiate of soda, salt with anti-caking additives, or iodized salt.

How to Add or Remove Salt

For new plaster pools, wait 10-30 days (check with you local pool professional) before adding salt to allow the plaster to cure. Turn the circulating pump on and add salt directly into the pool. Brush the salt around to speed up the dissolving process--do not allow salt to pile up on the bottom of the pool. Run the filter pump for 24 hours with the suction coming from the main drain (use pool vac if there is no main drain) to allow the salt to evenly disperse throughout the pool.

The only way to lower the salt concentration is to partially drain the pool and refill with fresh water.

Always check stabilizer (cyanuric acid), when checking salt. These levels will most likely decline together. Use the chart on the following page to determine how much stabilizer must be added to raise the level to 40 ppm.



HAYWARD®

POUNDS and (Kg) of SALT NEEDED FOR 3200PPM

Current salt level ppm	Gallons and (Liters) of Pool Water											
	8,000 (30,000)	10,000 (37,500)	12,000 (45000)	14,000 (52,500)	16,000 (60,000)	18,000 (67,500)	20,000 (75,000)	22,000 (82,500)	24,000 (90,000)	26,000 (98,400)	28,000 (106,000)	30,000 (113,500)
0	213 (97)	267 (121)	320 (145)	373 (170)	427 (194)	480 (218)	533 (242)	587 (267)	640 (291)	693 (315)	746 (339)	799 (363)
200	200 (91)	250 (114)	300 (136)	350 (159)	400 (182)	450 (205)	500 (227)	550 (250)	600 (273)	650 (296)	700 (319)	750 (342)
400	187 (85)	233 (106)	280 (127)	327 (148)	373 (170)	420 (191)	467 (212)	513 (233)	560 (255)	607 (277)	654 (299)	701 (326)
600	173 (79)	217 (98)	260 (118)	303 (138)	347 (158)	390 (177)	433 (197)	477 (217)	520 (236)	563 (256)	606 (276)	609 (296)
800	160 (73)	200 (91)	240 (109)	280 (127)	320 (145)	360 (164)	400 (182)	440 (200)	480 (218)	520 (236)	560 (254)	600 (272)
1000	147 (67)	183 (83)	220 (100)	257 (117)	293 (133)	330 (150)	367 (167)	403 (183)	440 (200)	477 (217)	514 (251)	551 (251)
1200	133 (61)	167 (76)	200 (91)	233 (106)	267 (121)	300 (136)	333 (152)	367 (167)	400 (182)	433 (197)	466 (212)	499 (227)
1400	120 (55)	150 (68)	180 (82)	210 (95)	240 (109)	270 (123)	300 (136)	330 (150)	360 (164)	390 (178)	420 (192)	450 (206)
1600	107 (48)	133 (61)	160 (73)	187 (85)	213 (97)	240 (109)	267 (121)	293 (133)	320 (145)	347 (157)	374 (169)	401 (181)
1800	93 (42)	117 (53)	140 (64)	163 (74)	187 (85)	210 (95)	233 (106)	257 (117)	280 (127)	303 (137)	326 (147)	349 (157)
2000	80 (36)	100 (45)	120 (55)	140 (64)	160 (73)	180 (82)	200 (91)	220 (100)	240 (109)	260 (118)	280 (127)	300 (136)
2200	67 (30)	83 (38)	100 (45)	117 (53)	133 (61)	150 (68)	167 (76)	183 (83)	200 (91)	217 (99)	234 (107)	251 (114)
2400	53 (24)	67 (30)	80 (36)	93 (42)	107 (48)	120 (55)	133 (61)	147 (67)	160 (73)	173 (79)	186 (85)	199 (91)
2600	40 (18)	50 (23)	60 (27)	70 (32)	80 (36)	90 (41)	100 (45)	110 (50)	120 (55)	130 (60)	140 (65)	150 (70)
2800	27 (12)	33 (15)	40 (18)	47 (21)	53 (24)	60 (27)	67 (30)	73 (33)	80 (36)	87 (39)	94 (42)	101 (45)
3000	13 (6)	17 (8)	20 (9)	23 (11)	27 (12)	30 (14)	33 (15)	37 (17)	40 (18)	43 (19)	46 (20)	49 (21)
3200	Ideal	Ideal	Ideal	Ideal	Ideal	Ideal	Ideal	Ideal	Ideal	Ideal	Ideal	Ideal
3400	OK	OK	OK	OK	OK	OK	OK	OK	OK	OK	OK	OK
3600+	Dilute	Dilute	Dilute	Dilute	Dilute	Dilute	Dilute	Dilute	Dilute	Dilute	Dilute	Dilute

POUNDS and (Kg) OF STABILIZER (CYANURIC ACID) NEEDED FOR 40 PPM

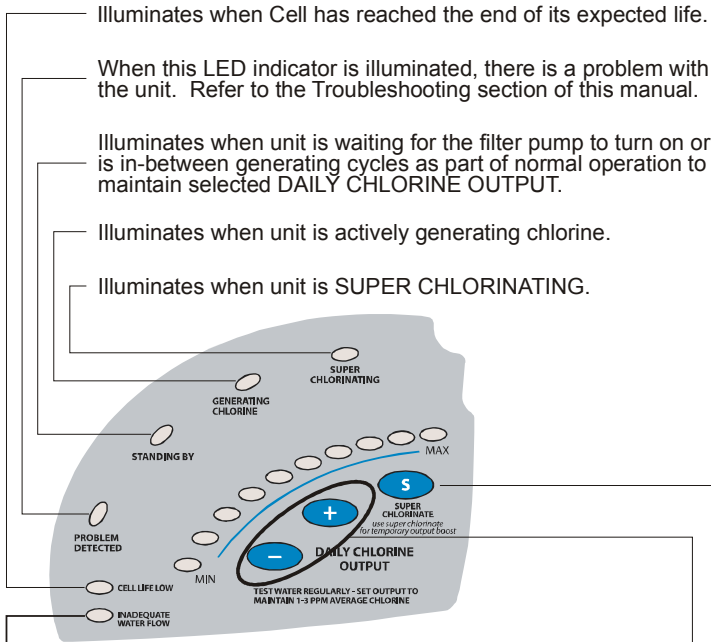
Current Stabilizer level (ppm)	Gallons and (Liters) of Pool Water											
	8,000 (30000)	10,000 (37500)	12,000 (45000)	14,000 (52500)	16,000 (60000)	18,000 (67500)	20,000 (75000)	22,000 (82500)	24,000 (90000)	26,000 (97500)	28,000 (105000)	30,000 (112500)
0 ppm	2.7 (1.2)	3.4 (1.5)	4.0 (1.8)	4.7 (2.2)	5.4 (2.5)	6.0 (2.7)	6.7 (3.0)	7.4 (3.4)	8.0 (3.6)	8.7 (4.0)	9.4 (4.3)	10.0 (4.5)
10 ppm	2.0 (.9)	2.5 (1.1)	3.0 (1.4)	3.5 (1.6)	4.0 (1.8)	4.5 (2.0)	5.0 (2.3)	5.5 (2.5)	6.0 (2.7)	6.5 (3.0)	7.0 (3.2)	7.5 (3.4)
20 ppm	1.3 (.59)	1.7 (.77)	2.0 (.90)	2.3 (1.1)	2.7 (1.3)	3.0 (1.3)	3.3 (1.5)	3.7 (1.6)	4.0 (1.8)	4.3 (2.0)	4.6 (2.1)	4.9 (2.2)
30 ppm	0.7 (.31)	0.8 (.36)	1.0 (.45)	1.2 (.54)	1.4 (.64)	1.5 (.68)	1.7 (.77)	1.8 (.82)	2.0 (.91)	2.2 (.97)	2.4 (1.1)	2.6 (1.2)
40 ppm	0.0	0.0	0.0	0.0	0.0	0.0	0.0	0.0	0.0	0.0	0.0	0.0



Operation

Controls

The main controls and indicators are shown below.



Illuminates when there is no flow or low flow through the Cell. The pool filter pump could be in its "off" cycle. If this is not the case, refer to the Troubleshooting section in this manual.

Press (+) and (-) to increase or decrease the chlorine generation. The DAILY CHLORINE OUTPUT LEDs above these buttons will indicate the relative amount of chlorine being generated.

When you have an abnormally high bather load, a large amount of rain, a cloudy water condition, or any other condition which requires a large amount of purification to be introduced, press the SUPER CHLORINATING button. This electronically "super chlorinates" (boosts chlorine generation output) the water for 24 hours (filter pump must be on during this time). To cancel super chlorinating, press the SUPER CHLORINATING button again.



HAYWARD®

Operation

When power is first applied to the AQR100, an initialization routine will run and during this time, various LEDs will illuminate. This is perfectly normal and does not require any input from the user. When the routine is finished, the AQR100 will begin normal operation.

If the water chemical levels are in the recommended range, there are three factors that you can control which directly contribute to the amount of chlorine the AQR100 will generate:

1. filter time each day (hours)
2. the DAILY CHLORINE OUTPUT setting
3. the amount of salt in the pool

The filter pump timer/schedule should be set so that all of the water in the pool passes through the filter at least once each day. For pools with high chlorine demand, the timer may have to be set longer to generate enough chlorine.

Daily Chlorine Output Setting

You can adjust the amount of chlorine that is generated using the “+” and “-” button on the AQR100 unit. The DAILY CHLORINE OUTPUT LEDs will display the current setting. Push “+” to increase and “-” to decrease the current setting. Each DAILY CHLORINE OUTPUT LED represents 6 minutes of chlorine generation out of 1 hour. For example, if 5 LEDs are illuminated, the AQR100 unit will generate chlorine for $5 \times 6 = 30$ minutes out of every hour of operation. During this time, the GENERATING CHLORINE LED will be lit. The unit will be idle for the remaining 30 minutes at which time the GENERATING CHLORINE LED will turn off and the STANDING BY LED will illuminate.

To find the optimum setting, start the operation with 5 DAILY CHLORINE OUTPUT LEDs illuminated. Test the chlorine level every few days and adjust up or down accordingly. It usually takes 2-3 adjustments to find the ideal setting for your pool and after that, it should only take minor, infrequent adjustments. Because the chlorine demand of the pool increases with temperature, most people find they have to adjust up at the peak of the summer and down during colder periods. The AQR100 automatically scales back to 12 minutes of output per hour (if set higher than 12 minutes) when the pool water is 50° - 60°F. This protects the unit as well as prevents possible over-chlorination. The AQR100 stops generating when the pool water temperature drops below 50°F. This is usually not a problem because bacteria and algae stop growing at this temperature. You can override these automatic low temperature operations by switching to SUPER CHLORINATE for a day.

NOTE: After the ideal DAILY CHLORINE OUTPUT setting has been found, you may need to raise the setting when the pool water temperature increases significantly, when there is higher than normal bather load or when the AQR100 Cell ages. You may need to lower the setting when the pool water temperature decreases significantly or there are long periods of inactivity.

Prevent over-chlorination during cold weather: Check chlorine levels periodically. Most pools require less chlorine during cold weather and the DAILY CHLORINE OUTPUT should be lowered accordingly.

Maintaining the AQR100 System

The replaceable Cell uses the same electronic self cleaning technology as the popular Hayward Turbo Cell. In most cases this self cleaning action will keep the Cell working at optimum efficiency.



HAYWARD®

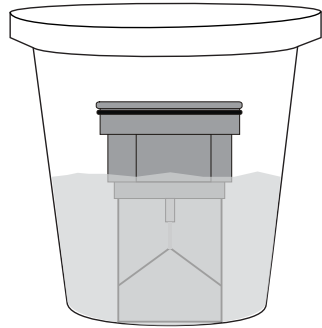
In areas where water is hard (high mineral content) and in pools where the water chemistry has been allowed to get “out of balance,” the Cell may require periodic cleaning.

Servicing and Cleaning the AQR100 Cell

Remove power from the AQR100 and the pump before attempting to remove the Cell. Unplug the Cell cord from the Cell. Remove the Cell from the Vessel by unscrewing the Retaining Nut and gently pulling the Cell out of Vessel. Once removed, look inside the Cell and inspect for scale formation (light colored crusty or flaky deposits) on the plates and for any debris which has passed through the filter and caught on the plates. If no deposits are visible, reinstall. If deposits are seen, use a high pressure garden hose and try to flush the scale off. If this is not successful, use a plastic or wood tool (do not use metal as this will scratch the coating off the plates) and scrape deposits off of plates. Note that a buildup on the Cell indicates that there is an unusually high calcium level in the pool (old pool water is usually the cause). If this is not corrected, you may have to periodically clean the Cell. The simplest way to avoid this is to bring the pool chemistry to the recommended levels as specified.

Mild Acid Washing: Use only in severe cases where flushing and scraping will not remove the majority of deposits. To acid wash, mix a 4:1 solution of water to muriatic acid (one gallon of water to one quart of muriatic acid) in a clean plastic container. ALWAYS ADD ACID TO WATER - NEVER ADD WATER TO ACID. Be sure to wear rubber gloves and appropriate eye protection.

Place the Cell in a clean container. The Cell can become unstable when the solution is added so it is recommended that a smaller container be used. Add the solution to the level as shown. The solution should cover the plates but not be so high that the cylindrical electronics compartment is submerged. Soak the Cell for a few minutes and then rinse with a high pressure garden hose. If any deposits are still visible, repeat soaking and rinsing. Replace Cell and inspect again periodically.



Winterizing

The AQR100 replaceable Cell will be damaged by freezing water just as your pool plumbing would. In areas of the country which experience severe or extended periods of freezing temperatures, be sure to drain all water from the pump, filter, and supply and return lines before any freezing conditions occur. The Control Box and plumbed in Cell Vessel are capable of withstanding any winter weather and should not be removed.

Spring Start-up

DO NOT turn the AQR100 on until the pool water chemistry has been brought to the proper levels. This information can be found on page 9.



HAYWARD®

Troubleshooting

Visit www.hayward.com or call (908)-355-7995 for helpful information on operation, maintenance and troubleshooting your AQR100 Electronic Chlorine Generator.

Common Problems and Solutions

The AQR100's various LEDs show the operation status as well as alert the user to any problems that may have occurred. Some indications may require a combination of LEDs to illuminate. To aid in interpreting these indications, Hayward has created an interactive tool located at www.hayward.com. Use this tool and the information below to identify and correct problems that may arise.

1. Possible causes of little or no free chlorine residual

- DAILY CHLORINE OUTPUT adjustment setting is too low
- Low stabilizer (Cyanuric Acid)
- Filter pump time too short (8 hours for average size pools, more for large pools)
- Salt level too high
- Very warm pools increase chlorine demand--increase Output %, or filter run time
- Cold water below 50°F causes AQR100 to stop generating
- Cold water between 50°F - 60°F causes AQR100 to reduce output regardless of DAILY CHLORINE OUTPUT setting
- Excessive scaling on Cell.
- High level of Nitrogen in pool water.
- "Yellow Out" or similar treatment recently used. Some yellow algae treatments will use chlorine at a very high rate and deplete the residual free chlorine. Manually shock the pool if indicated in the directions on the algae treatment. It still may be a matter of days before the pool returns to "normal" and chlorine tests will show the desired 1-3 ppm free chlorine reading.

2. LEDs not on

Depending on current conditions, there should always be at least one LED illuminated when the AQR100 is powered. If no LEDs are on, check to make the unit is receiving power. If no power is detected, the circuit breaker may have to be reset.

3. STANDING BY LED blinking

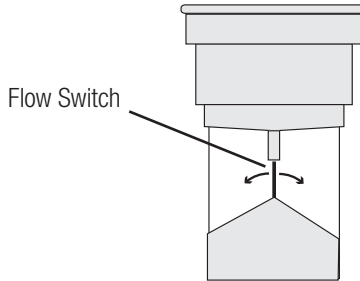
The AQR100 has shut down because the temperature of the pool/spa water is too high (120°F) or too low (50°F). The system will not resume operation until the water temperature returns to normal. *NOTE: This condition can sometimes happen if the pool/spa temperature is already high and the heater is running. The temperature coming out of the heater and into the Cell could possibly be high enough to shut down the AQR100.*

4. INADEQUATE WATER FLOW LED illuminated

The AQR100 has sensed a low flow or no flow condition and has stopped generating chlorine.

- Verify that the filter pump is running and there are no obstructions or restrictions in the pool plumbing.
- Backwash the pool filter.
- Increase the speed of your variable speed pump

If the condition persists, remove the Cell from the Vessel and check that the flow switch is free to move in both directions. Refer to the diagram below.



5. CELL LIFE LOW LED illuminated

The Cell has reached the end of its life. Replace as soon as possible

6. PROBLEM DETECTED LED illuminated AND MAX LED blinking

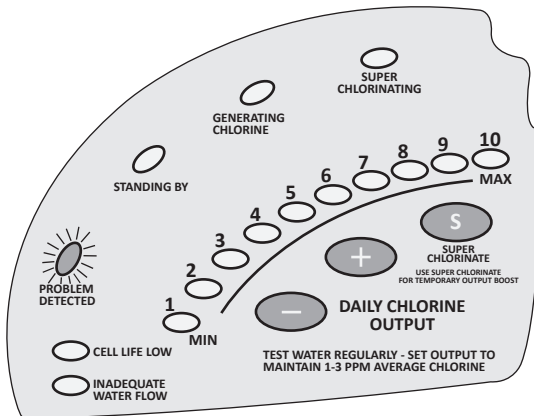
There is a communication error with the Cell. Check that the Cell cap is properly plugged in and that the wire to the Control Box is not cut or damaged.

7. PROBLEM DETECTED LED illuminated AND MIN LED blinking

- The salt level may be too low. Adjust salt to recommended levels.
- Remove and inspect the Cell for scale. If the Cell is scaled, follow the directions on page 14 for Cell cleaning.

8. PROBLEM DETECTED LED illuminated AND a DAILY CHLORINE OUTPUT LED is blinking

The AQR100 may display an error by illuminating the PROBLEM DETECTED LED and blinking one of the DAILY CHLORINE OUTPUT LEDs. There are ten DAILY CHLORINE OUTPUT LEDs that each indicate a different error. These LEDs are labeled with a number on the diagram below. Refer to the table for their corresponding errors.





Led Blinking	Possible Cause	Possible Actions
-------------------------	---------------------------	-------------------------

Min LED	Low Salt	<ol style="list-style-type: none"> 1. Check the salt level in the pool and verify the salt level is greater than 1500 ppm but also less than 4500 ppm. 2. Inspect the Cell. If dirty, follow the Cell cleaning procedure. 3. Inspect the Cell Vessel and verify the Cell plates are fully covered by moving water. 4. Remove power to the AQR100 for two minutes and then re-apply.
LED 2	High Salt	<ol style="list-style-type: none"> 1. Check that the salt level in the pool is no greater than 4500 ppm and/or the temperature does not exceed 104°F. 2. Remove power to the AQR100 for two minutes and then re-apply.
LED 3	Low Input Power	<ol style="list-style-type: none"> 1. Remove power to the AQR100 for two minutes and then re-apply. 2. Verify that the AQR100 is input power wiring is correct (page 7). Make sure that there is adequate input voltage (a brown out condition could cause this error).
LED 4	Temperature Sensor Error	<ol style="list-style-type: none"> 1. Remove power to the AQR100 for two minutes and then re-apply. 2. Inspect the Cell. If dirty, follow the Cell cleaning procedure.
LED 5 LED 6 LED 7 LED 9	Internal Error	<ol style="list-style-type: none"> 1. Remove power to the AQR100 for two minutes and then re-apply. 2. Check that the salt level in the pool is no greater than 4500 ppm and/or the temperature does not exceed 104°F. 3. Inspect the Cell Vessel and verify the cell plates are fully covered by moving water. 4. Contact Hayward Technical Service.
LED 8	No Current to Cell	<ol style="list-style-type: none"> 1. Remove power to the AQR100 for two minutes and then re-apply. 2. Inspect the cable that connects the cell to the system. Make sure the cable is secure and undamaged. 3. Turn on Super Chlorinate briefly and go back to original setting. 4. Inspect the Cell Vessel and verify the cell plates are fully covered by moving water.
MAX LED	Cell Error	<ol style="list-style-type: none"> 1. Remove power to the AQR100 for two minutes and then re-apply. 2. Inspect the cable that connects the cell to the system. Make sure the cable is secure and undamaged. 3. Contact Hayward Technical Service.
Inadequate Water Flow	Low Flow or No Flow Condition	<ol style="list-style-type: none"> 1. Remove power to the AQR100 for two minutes and then re-apply. 2. Check for obstructions or a flow related cause in your pool's plumbing system.
Standing By	Water Temperature Error	<ol style="list-style-type: none"> 1. Remove power to the AQR100 for two minutes and then re-apply. 2. Check that the pool temperature is more than 50°F and less than 104°F.

LIMITED WARRANTY (effective 03/01/12) Hayward warrants its AQR100 chlorination products to be free of defects in materials and workmanship, under normal use and service as follows:

Control Box - 3 year limited warranty, parts only
Cell - 3 years

Hayward warrants all accessories and other replacement parts for the above-identified chlorination products for a period of one (1) year.

Each of these warranties is not transferable and applies only to the original owner.

Proof of purchase is required for warranty service. If written proof of purchase is not provided, the manufacturing date code will be the sole determinant of the date of installation of the product. To obtain warranty service or repair, please contact the place of purchase or the nearest Hayward authorized warranty service center. For more information on authorized service centers please contact the Hayward Technical Service Support Center (61 Whitecap Road, North Kingstown RI, 02852) or visit the Hayward website at www.hayward.com.

WARRANTY EXCLUSIONS:

1. Damage resulting from improper installation including installation on pools larger than the product rating.
2. Problems resulting from failure to install, operate or maintain the product(s) in accordance with the recommendations contained in the owners manual(s).
3. Problems resulting from failure to maintain pool water chemistry in accordance with the recommendations in the owners manual(s).
4. Problems resulting from tampering, accident, abuse, negligence, unauthorized repairs or alternations, fire, flood, lightning, freezing, external water, degradation of natural stone used in or immediately adjacent to a pool or spa, war or acts of God.

DISCLAIMER. THE EXPRESS LIMITED WARRANTIES ABOVE CONSTITUTE THE ENTIRE WARRANTIES WITH RESPECT TO THE ABOVE-IDENTIFIED HAYWARD POOL AUTOMATION AND CHLORINATION PRODUCTS AND IS IN LIEU OF ALL OTHER WARRANTIES, EXPRESS OR IMPLIED, INCLUDING WARRANTIES OF MERCHANTABILITY OR FITNESS FOR A PARTICULAR PURPOSE. THESE WARRANTIES GIVE YOU SPECIFIC LEGAL RIGHTS, AND YOU MAY ALSO HAVE OTHER RIGHTS OF EQUIPMENT, LOST PROFITS OR REVENUE, COSTS OF RENTING REPLACEMENTS, AND OTHER ADDITIONAL EXPENSES, EVEN IF THE SELLER HAD BEEN ADVISED OF THE POSSIBILITY OF SUCH DAMAGES. SOME STATES DO NOT ALLOW THE EXCLUSION OF LIMITATION OF INCIDENTAL OR CONSEQUENTIAL DAMAGES, SO THE ABOVE LIMITATION OR EXCLUSION MAY NOT APPLY TO YOU.

NO WHOLESALER, AGENT, DEALER, CONTRACTOR OR OTHER PERSON IS AUTHORIZED TO PROVIDE, SUPPLEMENT OR MODIFY ANY WARRANTY ON BEHALF OF HAYWARD.

THESE WARRANTIES ARE VOID IF THE PRODUCT HAS BEEN ALTERED IN ANY WAY AFTER LEAVING THE FACTORY. FOR THE ABOVE-IDENTIFIED CHLORINATION PRODUCTS, THESE WARRANTIES ALSO ARE VOID IF, DURING THE WARRANTY PERIOD, YOU USE A REPLACEMENT CHLORINATOR CELL OTHER THAN AN UNMODIFIED, NEW HAYWARD CHLORINATOR CELL PURCHASED FROM HAYWARD. IF A WARRANTY BECOMES VOID, YOU STILL MAY PURCHASE SERVICE AND/OR TELEPHONE TECHNICAL SUPPORT AT THE THEN CURRENT TIME AND MATERIAL RATES.



For further information or consumer
technical support, visit our website at
www.hayward.com



Hayward is a registered trademark and AQR100 is a
trademark of Hayward Industries, Inc. © 2019 Hayward Industries, Inc.

All other trademarks not owned by Hayward are the property of their respective owners.
Hayward is not in any way affiliated with or endorsed by those third parties.

USE ONLY HAYWARD GENUINE REPLACEMENT PARTS



HAYWARD®

AQR100

Générateur de chlore pour les piscines creusées
de moins de 114 000 l (30 000 gal)

Guide d'utilisation



Table des matières

Introduction.....	2
Installation.....	3
Chimie de l'eau.....	9
Fonctionnement.....	12
Dépannage.....	15
Installation du guide pour les trous.....	18
Garantie.....	18

AQR100

Hayward Pool Products
2880 Plymouth Drive, Oakville, ON L6H 5R4
Phone 1-888-238-7665
www.haywardpool.ca



HAYWARD®

CONSIGNES DE SÉCURITÉ IMPORTANTES

Lorsque vous installez et utilisez cet appareil électrique, vous devez toujours prendre des précautions de sécurité de base, dont celles qui suivent :

- LISEZ ET SUIVEZ TOUTES LES INSTRUCTIONS.
- POUR RÉDUIRE LE RISQUE DE NOYADE PAR PIÉGEAGE PAR ASPIRATION DES CHEVEUX OU DU CORPS, LES PRISES D'ASPIRATION DOIVENT ÊTRE DOTÉES DE GRILLES CONVENANT AU DÉBIT MAXIMAL INDIQUÉ.
- **AVERTISSEMENT** : Pour réduire le risque de blessure, ne permettez pas aux enfants d'utiliser cet appareil sans une supervision constante.
- N'enterrez pas le cordon d'alimentation. Positionnez le cordon d'alimentation de sorte qu'il soit à l'abri des dommages causés par une tondeuse, un taille-haie ou tout autre appareil.
- **AVERTISSEMENT** : Pour réduire le risque d'électrocution, veuillez remplacer immédiatement un cordon d'alimentation endommagé.
- **MISE EN GARDE** : Pour réduire le risque d'électrocution, installez à une distance horizontale minimale de 10 pi (3 m) des parois intérieures de la piscine ou du spa. N'utilisez pas de rallonge.
- Pour les appareils installés au Canada : Au moins deux cosses sur lesquelles est indiqué « BONDING LUGS » sont fournies sur la surface extérieure ou à l'intérieur de la boîte de connexions. Pour réduire les risques, connectez la piscine ou le spa au treillis commun local qui se trouve près de la piscine ou du spa à ces cosses à l'aide d'un conducteur de cuivre isolé ou nu d'au moins 6 AWG.

CONSERVEZ CES INSTRUCTIONS



Introduction

Le AQR100 est un système automatique de production de chlore pour l'assainissement d'une piscine. Il est conçu uniquement pour les piscines dont le volume est inférieur à 114 000 l (30 000 gal). Le AQR100 ne doit pas être utilisé avec des piscines hors terre ou creusées dont le volume est supérieur à 114 000 l (30 000 gal).

L'utilisation du AQR100 requiert une faible concentration de sel (chlorure de sodium) dans l'eau de la piscine. Il assainit automatiquement l'eau de votre piscine en convertissant le sel en chlore libre qui, à son tour, élimine les bactéries et les algues présentes dans l'eau. Après avoir éliminé les bactéries, le chlore est reconverti en chlorure de sodium. Ces réactions se produisent de façon cyclique, éliminant essentiellement le besoin d'ajouter des produits chimiques pour assainir votre piscine.

Le AQR100 répond au besoin d'assainissement de la plupart des piscines résidentielles dont le volume ne dépasse pas 114 000 l (30 000 gal). Ce générateur de chlore abordable utilise une cellule électrolytique remplaçable qui est conçue pour durer une saison.

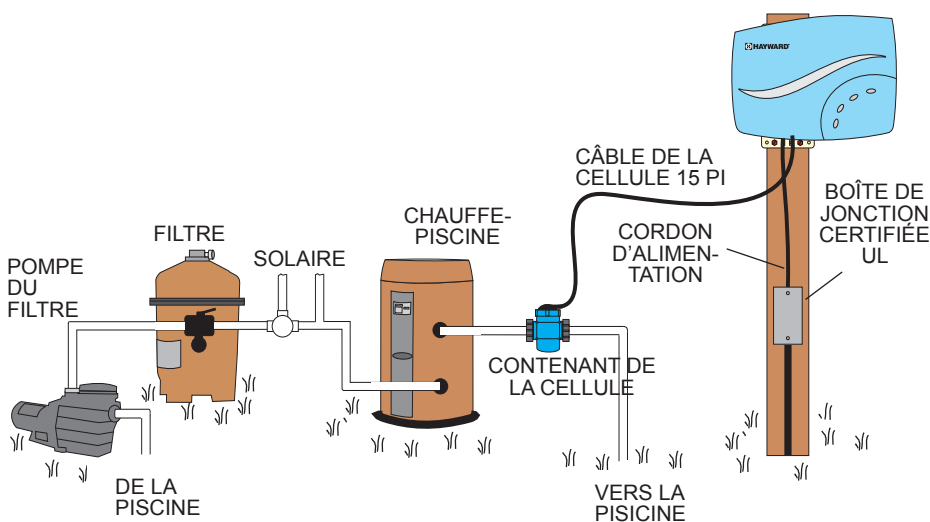
NOTE : La quantité réelle de chloration nécessaire pour assainir adéquatement une piscine varie selon le nombre de baigneurs, la quantité de pluie, la température et la propreté de la piscine.

NOTE : Avant d'installer ce produit comme composant d'un système de purification d'eau salée dans une piscine ou un spa ayant comme rebord des pierres naturelles ou directement à côté d'une terrasse, un spécialiste de l'installation de pierres doit être consulté relativement au type, à l'installation, au scellant (s'il y a lieu) et à l'entretien adéquats à utiliser près d'une piscine au sel dotée d'un générateur de chlore électronique dans votre région ou votre situation.

NOTE : L'utilisation d'acide sec (bisulfate de sodium) pour ajuster le pH est découragée, particulièrement dans les régions arides où l'évaporation de l'eau est excessive et où l'eau est peu souvent diluée avec de l'eau fraîche. L'acide sec peut entraîner une accumulation de sous-produits qui peuvent endommager la cellule de votre chlorateur.

Installation

Coupez le courant alimentant la pompe du filtre avant de commencer l'installation. L'installation doit être effectuée conformément au code local et au CCE. Le AQR100 peut être alimenté par une source de 120 V CA ou 240 V CA provenant du même circuit que la pompe de la piscine. Son cordon d'alimentation de 6 pi (2 m) doit être branché à l'alimentation dans une boîte de jonction. La boîte de commande doit être installée à une distance horizontale minimale de 10 pi (3 m) (ou plus, si le code l'exige) de la piscine et à moins de 15 pi (4,5 m) de l'endroit où sera installée la cellule. Assurez-vous de protéger les broches des connecteurs du couvercle de la cellule lorsque vous manipulez la cellule durant l'installation. Si le cordon d'alimentation est endommagé, il doit être remplacé par le fabricant, son agent de service ou par une personne possédant les mêmes qualifications afin d'éviter tout danger.



Préparer l'eau de la piscine

Pour préparer l'eau de la piscine en vue de l'utilisation du AQR100, la chimie de l'eau doit être équilibrée et du sel doit être ajouté. Ceci doit être fait avant de démarrer le AQR100. Les ajustements à la chimie de l'eau de votre piscine peuvent prendre plusieurs heures. Commencez donc la procédure bien avant de faire fonctionner le AQR100.

Pour bien préparer l'eau de votre piscine en vue de l'utilisation du AQR100, veuillez consulter la section « Chimie de l'eau » à la page 9 de ce guide.

Ajouter du sel : Ajoutez le sel plusieurs heures, voire même une journée avant d'utiliser le AQR100. Assurez-vous de ne pas dépasser la teneur en sel recommandée. Mesurez la teneur en sel de six à huit heures après avoir ajouté le sel à la piscine.

NOTE : Si la piscine ne contient pas de la nouvelle eau, ajouter 1 l de séquestrant de métaux et 1 l d'algicide non à base de cuivre à l'eau de la piscine, selon les directives du fabricant. Ceci assure un transfert rapide et sans souci vers le système AQR100.



HAYWARD®

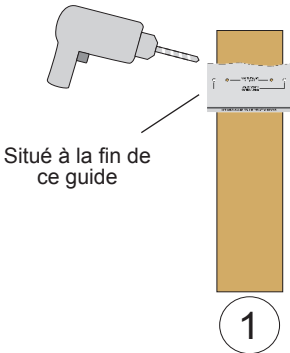
Installer la boîte de commande du AQR100

Le AQR100 est contenu dans un boîtier étanche qui peut être installé à l'extérieur. La boîte de commande doit être installée à une distance minimale de 10 pi (3 m) (ou plus, si les codes locaux l'exigent) de la piscine et à moins de 15 pi (4,5 m) de l'endroit où la cellule sera installée.

La boîte de commande est conçue pour être installée de façon verticale sur une surface plane avec les câbles vers le bas. Puisque le boîtier agit également comme dissipateur thermique (dissipe la chaleur produite à l'intérieur de la boîte), il est important de ne pas bloquer les quatre côtés de la boîte de commande. N'installez pas la boîte de commande dans un panneau ou dans un endroit hermétique.

Avant de fixer la boîte de commande à l'endroit souhaité, assurez-vous que le câble de la cellule est assez long pour rejoindre l'endroit où le contenant de la cellule sera installé. Pour des renseignements concernant l'installation, veuillez consulter le diagramme ci-dessous. Utilisez des pièces de fixation capables de supporter 20 lb (9 kg) et qui conviennent pour la surface où sera installée la boîte. Le guide d'installation montré à l'étape 1 se trouve à la page 18.

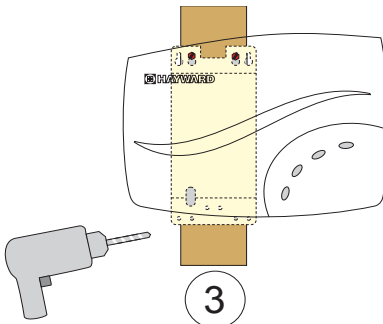
Fixez le guide pour les trous à l'endroit désiré et percez les trous.



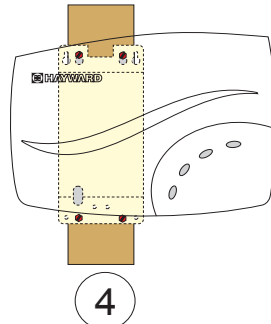
Vissez les pièces de fixation du haut en laissant 1/8 po entre la tête de la pièce et la surface.



Accrochez la boîte de commande sur les pièces de fixation et percez les trous du bas.



Vissez les pièces de fixation du bas.



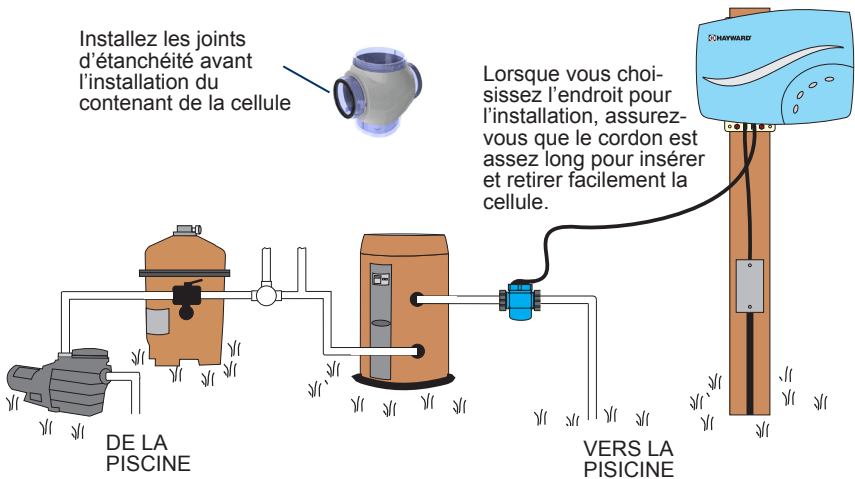


HAYWARD®

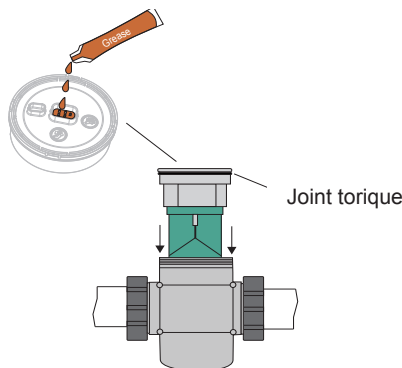
Tuyauterie

Le contenant de la cellule est conçu pour être raccordé aux tuyaux de PVC de 2 po (51 mm) de la piscine. Pour les piscines dotées de tuyaux de 1½ po (38 mm), un adaptateur pour tuyau de 2 po est nécessaire. Le contenant de la cellule doit être installé sur un tuyau droit d'environ 10 po (25 cm) au bout de la tuyauterie de retour, juste avant que l'eau retourne dans la piscine. Tout l'équipement de piscine doit être en amont du contenant de la cellule, comme indiqué dans le diagramme ci-dessous. Le contenant doit être situé à moins de 15 pi (4,5 m) de l'endroit où est installée la boîte de commande. De plus, positionnez le contenant de manière à ce que la cellule puisse être facilement insérée et retirée.

Après avoir coupé le courant alimentant la pompe et éliminé l'eau contenue dans la tuyauterie, coupez le tuyau à l'endroit souhaité et collez les raccords unions au tuyau. Installez les joints d'étanchéité en caoutchouc fournis sur le contenant de la cellule et installez-le ensuite dans la tuyauterie en serrant les raccords à la main.

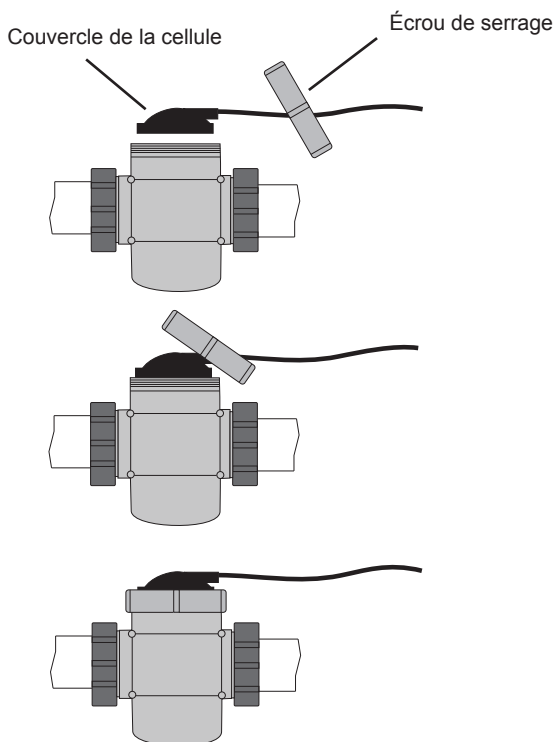


Retirez la mousse protectrice de la cellule. Assurez-vous que le joint torique est en place avant d'insérer la cellule dans le contenant. Couvrez entièrement les broches avec la graisse fournie.



Connecter et sécuriser le couvercle de la cellule

Passez le couvercle de la cellule dans l'écrou de serrage comme indiqué ci-dessous. Fixez le couvercle à la cellule et vissez l'écrou de serrage.



Câblage

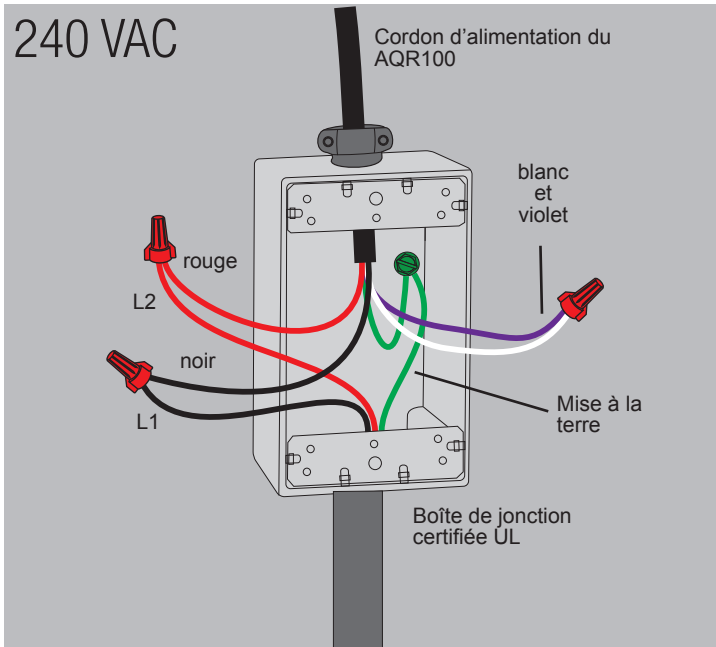
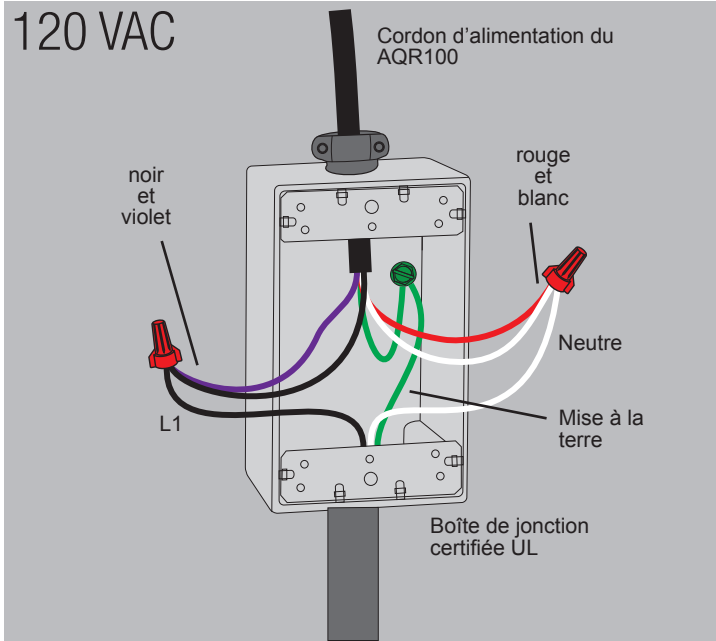
Coupez le courant au disjoncteur avant de connecter les câbles. Assurez-vous de respecter le code local ainsi que le CCE. Pour assurer un fonctionnement sécuritaire, le AQR100 devrait être installé par un professionnel qualifié et il doit être mis à la terre et lié de manière adéquate.

Le AQR100 fonctionne avec une alimentation de 120 VCA ou de 240 VCA et le câblage doit faire en sorte que l'appareil s'arrête et démarre en même temps que la pompe de la piscine. Si la pompe est connectée à un interrupteur ou à une minuterie, le AQR100 doit être câblé en parallèle.

Localisez le câble de 6 pi (2 m) à cinq conducteurs provenant de la boîte de commande. Ces cinq fils de couleur sont utilisés pour choisir la tension et assurez l'alimentation du AQR100. Consultez l'étiquette du câblage sur l'appareil ainsi que les diagrammes sur la page suivante pour déterminer les connexions requises pour l'alimentation à 120 VAC ou 240 VAC. Coupez le câble et les conducteurs à la longueur souhaitée et assurez-vous que toutes les connexions sont faites dans la boîte de jonction certifiée UL. Une fois les connexions faites, fixez le couvercle de la boîte de jonction.



HAYWARD®

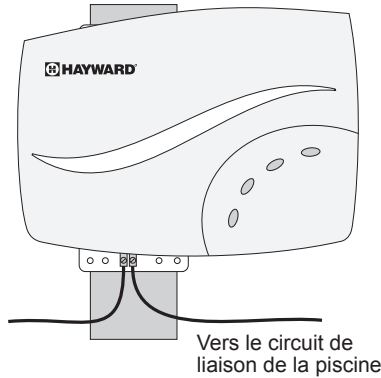




HAYWARD®

Liaison électrique

Une liaison électrique de la piscine ou une « liaison équipotentielle » assure que tous les composants près de la piscine sont au même potentiel électrique. S'il est nécessaire d'effectuer une liaison électrique dans votre région (consultez votre code local et le CCE), des cosses sont fournies au bas du boîtier du AQR100. Connectez un fil de cuivre massif de 8 AWG (6 AWG au Canada) entre la cosse et le circuit de liaison électrique existant.



IMPORTANT : Avant de continuer, la chimie de l'eau de la piscine doit être équilibrée et du sel doit être ajouté à votre piscine. Si vous ne l'avez pas encore fait, consultez la section « Chimie de l'eau » à la page 9 de ce guide pour des renseignements sur la façon de préparer l'eau de votre piscine avant d'utiliser le AQR100.

Chimie de l'eau

Le tableau ci-dessus fournit les quantités recommandées par l'Association of Pool and Spa Professionals (APSP). Il est important de maintenir ces quantités afin de prévenir la corrosion ou la formation de tartre et assurer une performance maximale de votre générateur de chlore AQR100. Votre détaillant autorisé ainsi que la plupart des magasins de piscine peuvent vous fournir les produits chimiques et les procédures nécessaires pour ajuster la chimie de l'eau.

Sachez que l'eau de piscine qui provient d'un puits ou d'un réseau municipal et, aussi, l'introduction de contaminants environnementaux peuvent, en raison de leur chimie, nuire à la durée de vie de la cellule.

Sel	1500 à 4500 ppm (3200 idéal)
Chlore libre	1,0 à 3,0 ppm
pH	7,2 à 7,8
Acide cyanurique (stabilisateur)	Piscines extérieures : 30 à 50 ppm
Piscines intérieures : 0 ppm	80 to 120 ppm
Alcalinité totale	80 à 120 ppm
Dureté calcique	200 à 400 ppm
Métaux	0 ppm
Indice de saturation	-0,2 à 0,2 (0 idéal)

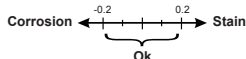
Indice de saturation

L'indice de saturation (Si) dépend du calcium et de l'alcalinité de l'eau et est un indicateur de « l'équilibre » de l'eau de la piscine. L'eau de votre piscine est bien équilibrée lorsque Si est $0 \pm 0,2$. Si l'indice de saturation est inférieur à $-0,2$, l'eau sera corrosive et, dans ces conditions, les parois des piscines en plâtre se dissoudront dans l'eau de la piscine. Si l'indice de saturation est supérieur à $+0,2$, il y aura formation de tartre et apparition de taches. Utilisez le tableau qui suit pour calculer l'indice de saturation.

$$Si = pH + Ti + Ci + Ai - TDS$$

°C	°F	Ti	Hardness Calcium	Ci	Total alkalinity	Ai	Total Dissolved Solids	TDS
12	53	0.3	75	1.5	75	1.9	0-1000	12.10
16	60	0.4	100	1.6	100	2.0	1001-2000	12.29
19	66	0.5	125	1.7	125	2.1		
24	76	0.6	150	1.8	150	2.2	2001-3000	12.35
29	84	0.7	200	1.9	200	2.3		
34	94	0.8	250	2.0	250	2.4	3001-4000	12.41
			300	2.1	300	2.5		
39	102	0.9	400	2.2	400	2.6	4001-5000	12.44
			600	2.4	600	2.8		
			800	2.5	800	2.9		

Utilisation : Mesurez le pH, la température, la dureté calcique et l'alcalinité totale de l'eau. Utilisez ce tableau pour déterminer Ti, Ci et Ai à partir de vos mesures. Insérez les valeurs de pH, Ti, Ci et Ai dans l'équation ci-dessus. Si l'indice de saturation est 0,2 ou plus, ceci pourrait causer la formation de tartre (entartrage) et l'apparition de taches. Si l'indice de saturation est 0,2 ou moins, ceci pourrait causer de la corrosion ou de l'irritation.



Teneur en sel

La détermination de la concentration en sel optimale pour votre piscine dépend du temps de fonctionnement de votre pompe et de la taille de votre piscine. Utilisez le tableau de la page 11 pour déterminer combien de kilogrammes ou livres de sel doivent être ajoutés pour obtenir les teneurs recommandées. Si vous ne connaissez pas la taille de votre piscine, utilisez les équations ci-dessous (les mesures sont indiquées en mètres et litres et pieds et gallons).

	Gallons (dimensions de la piscine en pieds)	Litres (dimensions de la piscine en mètres)
Rectangulaire	Longueur x Largeur x Profondeur moyenne x 7,5	Longueur x Largeur x Profondeur moyenne x 1000
Ronde	Diamètre x Diamètre x Profondeur moyenne x 5,9	Diamètre x Diamètre x Profondeur moyenne x 785
Ovale	Longueur x Largeur x Profondeur moyenne x 6,7	Longueur x Largeur x Profondeur moyenne x 893

Le AQR100 est conçu pour fonctionner avec une teneur en sel comprise entre 1500 et 4500 ppm (parties par millions), 3200 ppm étant la teneur idéale. Cette plage de fonctionnement offre la flexibilité d'utiliser une teneur en sel qui est adaptée à votre piscine. Sachez qu'une teneur en sel moins élevée réduira l'efficacité du AQR100 et mènera à une plus faible production de chlore. Une plus faible production de chlore peut nécessiter des temps de fonctionnement plus longs pour assainir efficacement la piscine. Si la piscine est trop grande ou la teneur en sel trop basse, vous pourriez ne pas produire assez de chlore pour satisfaire la demande de votre piscine. En général :

- Pour les piscines dont le volume est inférieur à 15 000 gallons (56 000 l), une teneur en sel entre 1500 et 2700 ppm peut être utilisée. Des teneurs plus élevées peuvent également être utilisées et nécessiteront des temps de fonctionnement moins longs.
- Pour les piscines plus grandes, dont le volume se situe entre 15 000 gallons (56 000 l) et 30 000 gallons (114 000 l), la concentration de sel devrait être plus élevée que 2800 ppm. Sachez qu'une teneur élevée de sel peut donner un goût salé à l'eau de votre piscine et peut même entraîner l'arrêt du AQR100. De façon générale, on commence à goûter le sel lorsque la concentration est environ 3500 à 4000+ ppm.

Dans votre piscine, le sel est continuellement recyclé de sorte que la perte de sel durant la saison de baignade devrait être faible. La perte de sel est surtout due à l'ajout d'eau en raison des éclaboussures, des lavages à contre-courant ou des vidanges (à cause de la pluie).

Type de sel à utiliser

Il est important de n'utiliser que du chlorure de sodium (NaCl) dont la pureté est d'au moins 99 %. Ceci correspond à du sel de qualité alimentaire ou à du sel adoucisseur d'eau qui est généralement offert en sacs de 40 à 80 lb qui sont étiquetés comme du « Sel de piscine » ou du « Gros sel solaire ». Vous pouvez également utiliser des pastilles de sel adoucisseur, mais la dissolution est plus lente. N'utilisez pas du sel gemme ou du sel contenant du prussiate de sodium, du sel contenant des additifs antimottant ou du sel iodé.

Enlever ou ajouter du sel

Pour les nouvelles piscines en plâtre, patientez de 10 à 30 jours (consultez votre spécialiste de piscine local) avant d'ajouter du sel pour permettre au plâtre de durcir. Ajoutez le sel directement à l'eau de la piscine pendant que la pompe de circulation est en marche. Brassez le sel pour accélérer la dissolution – ne permettez pas au sel de s'accumuler au fond de la piscine. Faites fonctionner la pompe du filtre durant 24 heures en vous assurant que l'aspiration se fait par le drain de fond (utilisez le nettoyeur de piscine, s'il n'y a pas de drain de fond).

La seule façon de diminuer la teneur en sel est de vider partiellement la piscine et de la remplir avec de l'eau fraîche.

Vérifiez toujours la teneur en stabilisateur (acide cyanurique) lorsque vous vérifiez la teneur en sel. La teneur de ces deux produits diminuera vraisemblablement au même rythme. Utilisez le tableau suivant pour déterminer combien de stabilisateur vous devez ajouter pour augmenter la teneur jusqu'à 40 ppm.



HAYWARD®

POUNDS and (Kg) of SALT NEEDED FOR 3200PPM

Current salt level ppm	Gallons and (Liters) of Pool Water											
	8,000 (30,000)	10,000 (37,500)	12,000 (45,000)	14,000 (52,500)	16,000 (60,000)	18,000 (67,500)	20,000 (75,000)	22,000 (82,500)	24,000 (90,000)	26,000 (98,400)	28,000 (106,000)	30,000 (113,500)
0	213 (97)	267 (121)	320 (145)	373 (170)	427 (194)	480 (218)	533 (242)	587 (267)	640 (291)	693 (315)	746 (339)	799 (363)
200	200 (91)	250 (114)	300 (136)	350 (159)	400 (182)	450 (205)	500 (227)	550 (250)	600 (273)	650 (296)	700 (319)	750 (342)
400	187 (85)	233 (106)	280 (127)	327 (148)	373 (170)	420 (191)	467 (212)	513 (233)	560 (255)	607 (277)	654 (299)	701 (326)
600	173 (79)	217 (98)	260 (118)	303 (138)	347 (158)	390 (177)	433 (197)	477 (217)	520 (236)	563 (256)	606 (276)	609 (296)
800	160 (73)	200 (91)	240 (109)	280 (127)	320 (145)	360 (164)	400 (182)	440 (200)	480 (218)	520 (236)	560 (254)	600 (272)
1000	147 (67)	183 (83)	220 (100)	257 (117)	293 (133)	330 (150)	367 (167)	403 (183)	440 (200)	477 (217)	514 (234)	551 (251)
1200	133 (61)	167 (76)	200 (91)	233 (106)	267 (121)	300 (136)	333 (152)	367 (167)	400 (182)	433 (197)	466 (212)	499 (227)
1400	120 (55)	150 (68)	180 (82)	210 (95)	240 (109)	270 (123)	300 (136)	330 (150)	360 (164)	390 (178)	420 (192)	450 (206)
1600	107 (48)	133 (61)	160 (73)	187 (85)	213 (97)	240 (109)	267 (121)	293 (133)	320 (145)	347 (157)	374 (169)	401 (181)
1800	93 (42)	117 (53)	140 (64)	163 (74)	187 (85)	210 (95)	233 (106)	257 (117)	280 (127)	303 (137)	326 (147)	349 (157)
2000	80 (36)	100 (45)	120 (55)	140 (64)	160 (73)	180 (82)	200 (91)	220 (100)	240 (109)	260 (118)	280 (127)	300 (136)
2200	67 (30)	83 (38)	100 (45)	117 (53)	133 (61)	150 (68)	167 (76)	183 (83)	200 (91)	217 (99)	234 (107)	251 (114)
2400	53 (24)	67 (30)	80 (36)	93 (42)	107 (48)	120 (55)	133 (61)	147 (67)	160 (73)	173 (79)	186 (85)	199 (91)
2600	40 (18)	50 (23)	60 (27)	70 (32)	80 (36)	90 (41)	100 (45)	110 (50)	120 (55)	130 (60)	140 (65)	150 (70)
2800	27 (12)	33 (15)	40 (18)	47 (21)	53 (24)	60 (27)	67 (30)	73 (33)	80 (36)	87 (39)	94 (42)	101 (45)
3000	13 (6)	17 (8)	20 (9)	23 (11)	27 (12)	30 (14)	33 (15)	37 (17)	40 (18)	43 (19)	46 (20)	49 (21)
3200	Ideal	Ideal	Ideal	Ideal	Ideal	Ideal	Ideal	Ideal	Ideal	Ideal	Ideal	Ideal
3400	OK	OK	OK	OK	OK	OK	OK	OK	OK	OK	OK	OK
3600+	Dilute	Dilute	Dilute	Dilute	Dilute	Dilute	Dilute	Dilute	Dilute	Dilute	Dilute	Dilute

POUNDS and (Kg) OF STABILIZER (CYANURIC ACID) NEEDED FOR 40 PPM

Current Stabilizer level (ppm)	Gallons and (Liters) of Pool Water											
	8,000 (30000)	10,000 (37500)	12,000 (45000)	14,000 (52500)	16,000 (60000)	18,000 (67500)	20,000 (75000)	22,000 (82500)	24,000 (90000)	26,000 (97500)	28,000 (105000)	30,000 (112500)
0 ppm	2.7 (1.2)	3.4 (1.5)	4.0 (1.8)	4.7 (2.2)	5.4 (2.5)	6.0 (2.7)	6.7 (3.0)	7.4 (3.4)	8.0 (3.6)	8.7 (4.0)	9.4 (4.3)	10.0 (4.5)
10 ppm	2.0 (.9)	2.5 (1.1)	3.0 (1.4)	3.5 (1.6)	4.0 (1.8)	4.5 (2.0)	5.0 (2.3)	5.5 (2.5)	6.0 (2.7)	6.5 (3.0)	7.0 (3.2)	7.5 (3.4)
20 ppm	1.3 (.59)	1.7 (.77)	2.0 (.90)	2.3 (1.1)	2.7 (1.3)	3.0 (1.3)	3.3 (1.5)	3.7 (1.6)	4.0 (1.8)	4.3 (2.0)	4.6 (2.1)	4.9 (2.2)
30 ppm	0.7 (.31)	0.8 (.36)	1.0 (.45)	1.2 (.54)	1.4 (.64)	1.5 (.68)	1.7 (.77)	1.8 (.82)	2.0 (.91)	2.2 (.97)	2.4 (1.1)	2.6 (1.2)
40 ppm	0.0	0.0	0.0	0.0	0.0	0.0	0.0	0.0	0.0	0.0	0.0	0.0

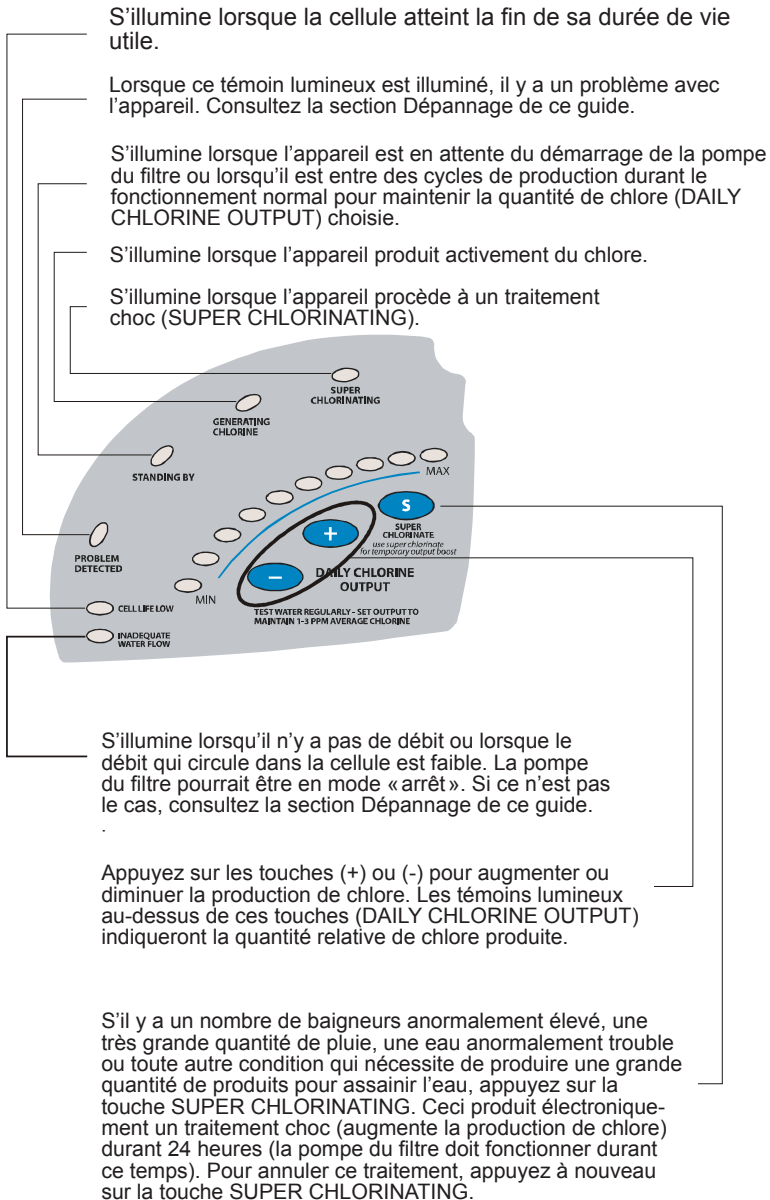


HAYWARD®

Fonctionnement

Commandes

Les commandes et indicateurs principaux sont indiqués ci-dessous.





HAYWARD®

Fonctionnement

Lorsque le AQR100 est mis sous tension pour la première fois, il procède à une phase d'initialisation et, durant ce temps, divers témoins lumineux s'illumineront. Ceci est parfaitement normal et ne nécessite aucune intervention de la part de l'utilisateur. Lorsque la phase d'initialisation est finie, le AQR100 commencera à fonctionner normalement.

Si la chimie de l'eau est conforme aux recommandations, vous pouvez contrôler trois facteurs qui contribuent directement à la quantité de chlore produite par le AQR100 :

1. Le temps de filtration quotidien (heures)
2. Le réglage de la quantité de chlore produite quotidiennement (DAILY CHLORINE OUTPUT)
3. La quantité de sel dans l'eau de la piscine

La minuterie de la pompe du filtre doit être réglée de sorte que toute l'eau contenue dans la piscine circule dans le filtre au moins une fois par jour. Pour les piscines qui requièrent une production importante de chlore, le réglage de la minuterie peut être tel que la pompe fonctionne plus longtemps pour produire assez de chlore.

Réglage de la production quotidienne de chlore (Daily Chlorine Output)

Vous pouvez ajuster la quantité de chlore produite en appuyant sur les touches « + » et « - » du AQR100. Les témoins lumineux DAILY CHLORINE OUTPUT indiqueront le réglage actuel. Appuyez sur « + » pour augmenter et sur « - » pour diminuer le réglage actuel. Chacun des témoins lumineux associé au DAILY CHLORINE OUTPUT représente 6 minutes de production de chlore par heure. Par exemple, si cinq témoins lumineux sont illuminés, le AQR100 produira du chlore pendant $5 \times 6 = 30$ minutes pour chaque heure de fonctionnement. Durant ce temps, le témoin lumineux GENERATING CHLORINE sera illuminé. L'appareil sera ensuite en attente durant les 30 minutes restantes et, durant ce temps, le témoin lumineux GENERATING CHLORINE sera éteint, alors que le témoin lumineux STANDING BY sera illuminé.

Pour trouver le réglage idéal, commencez le fonctionnement alors que cinq témoins lumineux DAILY CHLORINE OUTPUT sont illuminés. Vérifiez la teneur en chlore tous les deux ou trois jours et ajustez à la hausse ou à la baisse selon le cas. Deux à trois ajustements sont généralement nécessaires pour trouver le réglage idéal pour votre piscine et, après, seuls de petits ajustements peu fréquents devraient être requis. Puisque la demande en chlore augmente avec l'augmentation de la température, la plupart des gens doivent ajuster la production de chlore à la hausse durant les périodes les plus chaudes de l'été et à la baisse durant les périodes les plus fraîches. Le AQR100 abaisse automatiquement la production de chlore à 12 minutes de production par heure (si le réglage est plus élevé) lorsque la température de la piscine est comprise entre 10 °C et 15,6 °C (50 °F et 60 °F), ce qui protège l'appareil et empêche une trop grande production de chlore. Le AQR100 cesse de produire du chlore lorsque la température de l'eau descend sous 10 °C (50 °F), ce qui n'est généralement pas un problème puisque les algues et bactéries cessent de proliférer à cette température. Vous pouvez annuler ces ajustements de production de chlore en passant en mode SUPER CHLORINATE pour une journée.

NOTE : Une fois que le réglage idéal pour la quantité de chlore produite (DAILY CHLORINE OUTPUT) a été déterminé, vous devrez peut-être augmenter le réglage si la température de l'eau augmente de façon importante ou si les baigneurs sont beaucoup plus nombreux ou, encore, lorsque la cellule du AQR100 vieillit. Vous devrez peut-être diminuer le réglage si la température de l'eau baisse de façon importante ou s'il y a de longues périodes d'inactivité dans la piscine.

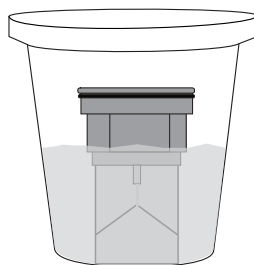
Éviter toute production excessive de chlore par temps froid. Vérifiez la teneur en chlore régulièrement. La plupart des piscines requièrent moins de chlore par temps froid et le réglage de production de chlore (DAILY CHLORINE OUTPUT) devrait être réglé en conséquence.

Entretien du système AQR100

La cellule remplaçable utilise la même technologie autonettoyante que la populaire Turbo Cell de Hayward. Dans la plupart des cas, cette action autonettoyante permettra à la cellule de fonctionner avec une efficacité optimale. Dans les régions où l'eau est dure (riche en minéraux) ou dans le cas d'une piscine où la chimie de l'eau « n'est plus équilibrée », il se peut que la cellule doive être nettoyée de temps à autre.

Réparer et nettoyer la cellule du AQR100

Coupez le courant au AQR100 et mettez la pompe hors tension avant d'enlever la cellule. Débranchez le cordon d'alimentation de la cellule. Retirez la cellule du contenant en dévissant l'écrou de serrage et tirez doucement la cellule hors du contenant. Une fois que la cellule est sortie du contenant, inspectez-la et vérifiez s'il y a présence de tartre (dépôts crouteux légèrement colorés qui se détachent) sur les plaques ou de tout autre débris qui aurait passé au travers du filtre et adhéré aux plaques. Si aucun débris n'est visible, réinstallez la cellule. Si des dépôts sont visibles, utilisez un boyau d'arrosage à haute pression pour essayer de déloger le tartre. Si vous n'y parvenez pas, utilisez un outil de plastique ou de bois (n'utilisez pas un outil de métal puisque vous grafierez le revêtement sur les plaques) pour déloger les dépôts qui adhèrent aux plaques. Sachez que la formation d'un dépôt sur les plaques indique une teneur en calcium anormalement élevée dans l'eau de la piscine (une vieille eau de piscine est souvent la cause). Si la situation n'est pas réglée, vous devrez possiblement devoir nettoyer la cellule de temps à autre. La façon la plus simple de prévenir cette situation est de veiller à ce que la chimie de l'eau soit conforme aux valeurs recommandées.



Déposez la cellule dans un contenant propre. Comme la cellule peut être instable lorsqu'on ajoute la solution, il est recommandé d'utiliser un plus petit contenant. Ajoutez la solution au niveau indiqué. La solution doit couvrir les plaques, mais pas le compartiment cylindrique dans lequel se trouvent les composants électriques. Laissez la cellule tremper quelques minutes et rincez-la ensuite avec un boyau d'arrosage à haute pression. Si des dépôts sont toujours présents, trempez à nouveau la cellule dans la solution et, ensuite, rincez-la. Remplacez la cellule et inspectez-la de temps à autre.

Préparation en vue de l'hiver

La cellule remplaçable du AQR100 sera endommagée par le gel de l'eau, tout comme le serait la tuyauterie de la piscine. Dans les régions du pays où il y a de longues périodes de gel, assurez-vous de drainer toute l'eau contenue dans la pompe, le filtre et les tuyaux d'entrée et de sortie d'eau avant l'arrivée du gel. La boîte de commande ainsi que le contenant de la cellule ne seront pas endommagés par les conditions hivernales et ne doivent donc pas être enlevés.

Démarrage au printemps

NE METTEZ PAS SOUS TENSION le AQR100 avant que la chimie de l'eau de la piscine ait été équilibrée. Des renseignements à cet effet sont fournis à la page 9.

Dépannage

Pour obtenir des renseignements utiles quant au fonctionnement, à l'entretien ou au dépannage de votre générateur de chlore électronique AQR100, visitez le www.hayward.com ou téléphonez au 1-888-238-7665.

Problèmes courants et solutions

Les différents témoins lumineux du AQR100 montrent l'état de fonctionnement et attirent l'attention de l'utilisateur si un problème devait survenir. Certaines situations nécessitent qu'une combinaison de témoins lumineux s'illuminent. Pour vous aider à interpréter la signification des informations fournies, Hayward a créé un outil interactif que vous trouverez sur le site www.hayward.com. Utilisez cet outil ainsi que l'information qui suit pour déterminer la nature d'un problème et le corriger.

1. Raisons pouvant expliquer l'absence ou la présence de peu de chlore libre résiduel

- Le réglage du DAILY CHLORINE OUTPUT est trop bas.
- La teneur en stabilisateur (acide cyanurique) est trop basse.
- Le temps de fonctionnement de la pompe est trop court (8 heures de fonctionnement pour les piscines de taille moyenne et plus pour les plus grosses piscines).
- La teneur en sel est trop élevée.
- Une température de l'eau très élevée augmente la demande en chlore – augmentez le Output % ou le temps de fonctionnement de la pompe.
- Si la température de l'eau est inférieure à 10 °C (50 °F), le AQR100 cesse de produire du chlore.
- Si la température de l'eau se situe entre 10 °C et 15,6 °C (50 °F et 60 °F), le AQR199 réduit sa production de chlore, peu importe le réglage du DAILY CHLORINE OUTPUT.
- Présence d'une quantité importante de tartre dans la cellule.
- Forte concentration d'azote dans l'eau de la piscine.
- Utilisation récente de l'algicide « Yellow Out » ou de tout autre traitement semblable. Certains traitements contre les algues jaunes utilisent une très grande concentration de chlore et réduisent ainsi la quantité de chlore libre résiduel. Effectuez un traitement choc manuel si les directives du traitement contre les algues l'exigent. Il peut s'écouler quelques jours avant que l'eau de la piscine ne redevienne « normale » et que les tests de chlore indiquent la teneur en chlore libre souhaitée, soit 1 à 3 ppm.

2. Les témoins lumineux ne sont pas illuminés

Selon les conditions actuelles, au moins un témoin lumineux devrait toujours être illuminé lorsque le AQR100 est sous tension. Si aucun témoin lumineux n'est illuminé, vérifiez que l'appareil est alimenté. Si aucune tension n'est détectée, le disjoncteur du circuit doit peut-être être réenclenché.

3. Le témoin lumineux STANDING BY clignote

Le AQR100 a cessé de fonctionner parce que la température de l'eau de la piscine ou du spa est trop élevée (49 °C/120 °F) ou trop basse (10 °C/50 °F). Le système ne recommencera pas à fonctionner avant que la température ne retourne à la normale. NOTE : Cette situation



HAYWARD®

peut se produire si la température de l'eau de la piscine ou du spa est déjà élevée et que le chauffe-piscine fonctionne. Il se peut que la température de l'eau sortant du chauffe-piscine soit assez élevée pour entraîner l'arrêt du AQR100.

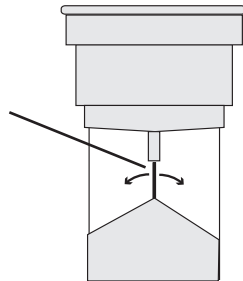
4. Le témoin lumineux INADEQUATE WATER FLOW est illuminé

Le AQR100 a détecté que le débit est trop faible ou qu'il n'y a pas de débit et a cessé de produire du chlore.

- Assurez-vous que la pompe du filtre est en marche et que rien n'obstrue ou ne cause une restriction dans la tuyauterie de la piscine.
- Effectuez un lavage à contre-courant.
- Augmentez la vitesse de votre pompe à vitesse variable.

Si cette situation persiste, retirez la cellule du contenant et assurez-vous que le capteur de débit peut bouger librement dans les deux directions. Consultez le diagramme ci-dessous.

Capteur de débit



5. Le témoin lumineux CELL LIFE LOW est illuminé

La cellule a atteint la fin de sa durée de vie utile. Remplacez-la le plus rapidement possible.

6. Le témoin lumineux PROBLEM DETECTED est illuminé et le témoin lumineux MAX clignote

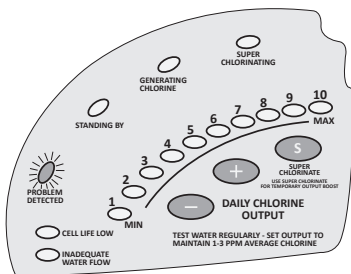
Un problème de communication s'est produit relativement à la cellule. Assurez-vous que le couvercle de la cellule est bien inséré et que le câble qui se rend à la boîte de commande n'est pas endommagé ou coupé.

7. Le témoin lumineux PROBLEM DETECTED est illuminé et le témoin lumineux MIN clignote

- La teneur en sel pourrait être trop basse. Ajustez la teneur en sel pour qu'elle corresponde à la valeur recommandée.
- Enlevez et inspectez la cellule pour déceler la présence de tartre. S'il y a un dépôt, suivez les instructions de la page 14 pour nettoyer la cellule.

8. Le témoin lumineux PROBLEM DETECTED est illuminé et un témoin DAILY CHLORINE OUTPUT clignote

Le AQR100 peut indiquer une erreur en illuminant le témoin PROBLEM DETECTED et en faisant clignoter l'un des témoins DAILY CHLORINE OUTPUT. Il y a dix témoins lumineux DAILY CHLORINE OUTPUT et chacun d'entre eux correspond à une erreur particulière. Ces témoins lumineux sont indiqués par un numéro dans le diagramme ci-dessous. Consultez le tableau pour connaître l'erreur qui correspond à chacun d'entre eux.





HAYWARD®

**Témoin
lumineux
qui clignote**

**Cause
possible**

Actions possibles

Témoin lumineux MIN	Teneur en sel trop basse	<ol style="list-style-type: none">1. Vérifiez la teneur en sel de l'eau de la piscine. Assurez-vous que la teneur en sel est supérieure à 1500 ppm, mais inférieure à 4500 ppm.2. Inspectez la cellule. Si elle est sale, nettoyez-la en suivant la procédure de nettoyage.3. Inspectez le contenant de la cellule et assurez-vous que les plaques de la cellule sont complètement recouvertes par l'eau qui y circule.4. Mettez le AQR100 hors tension pour 2 minutes et ensuite rebranchez-le.
Témoin lumineux 2	Teneur en sel trop élevée	<ol style="list-style-type: none">1. Assurez-vous que la teneur en sel de l'eau de la piscine est inférieure à 4500 ppm et que la température de l'eau n'excède pas 40 °C (104 °F).2. Mettez le AQR100 hors tension pour 2 minutes et ensuite rebranchez-le.
Témoin lumineux 3	Alimentation d'entrée est trop faible	<ol style="list-style-type: none">1. Mettez le AQR100 hors tension pour 2 minutes et ensuite rebranchez-le.2. Assurez-vous que les câbles alimentant le AQR100 sont corrects (consultez la page 7). Assurez-vous que la tension d'entrée est adéquate (une basse de tension peut être la cause).
Témoin lumineux 4	Erreur du capteur de tempéra- ture	<ol style="list-style-type: none">1. Mettez le AQR100 hors tension pour 2 minutes et ensuite rebranchez-le.2. Inspectez la cellule. Si elle est sale, nettoyez-la en suivant la procédure de nettoyage.
Témoin lumineux 5 6 7 9	Erreur interne	<ol style="list-style-type: none">1. Mettez le AQR100 hors tension pour 2 minutes et ensuite rebranchez-le.2. Assurez-vous que la teneur en sel ne dépasse pas 4500 ppm et que la température ne dépasse pas 40 °C (104 °F).3. Inspectez le contenant de la cellule et assurez-vous que les plaques de la cellule sont complètement recouvertes par l'eau qui y circule.4. Communiquez avec le service technique de Hayward.
Témoin lumineux 8	Pas de courant à la cellule	<ol style="list-style-type: none">1. Mettez le AQR100 hors tension pour 2 minutes et ensuite rebranchez-le.2. Inspectez le câble qui raccorde la cellule au système. Assurez-vous que le câble est bien branché et qu'il n'est pas endommagé.3. Démarrez brièvement le Super Chlorinate et retournez aux réglages originaux.4. Inspectez le contenant de la cellule et assurez-vous que les plaques de la cellule sont complètement recouvertes par l'eau qui y circule.
Témoin lumineux MAX	Erreur de la cellule	<ol style="list-style-type: none">1. Mettez le AQR100 hors tension pour 2 minutes et ensuite rebranchez-le.2. Inspectez le câble qui raccorde la cellule au système. Assurez-vous que le câble est bien branché et intact.3. Communiquez avec le service technique de Hayward.
Inadequate water flow	Absence de débit ou débit faible	<ol style="list-style-type: none">1. Mettez le AQR100 hors tension pour 2 minutes et ensuite rebranchez-le.2. Vérifiez qu'il n'y a pas une obstruction ou un problème associé au débit dans la tuyauterie de la piscine.
Standing By	Erreur due à la tempéra- ture de l'eau	<ol style="list-style-type: none">1. Mettez le AQR100 hors tension pour 2 minutes et ensuite rebranchez-le.2. Assurez-vous que la température de l'eau de la piscine est comprise entre 10 °C et 40 °C (50 °C et 104 °C).



HAYWARD®

GARANTIE LIMITÉE (en vigueur le 2012-03-01) Hayward garantit ses produits de chloration AQR100 contre tout défaut de matériau ou de production, lorsqu'ils sont utilisés dans des conditions de fonctionnement et d'entretien normales comme suit :

Boîte de commande – garantie limitée de trois (3) ans sur les pièces seulement
Cellule – trois (3) ans

Hayward garantit tous les accessoires et autres pièces de remplacement pour les produits de chloration mentionnés ci-dessus pour une période d'un (1) an.

Chacune de ces garanties ne peut être transférée et ne s'applique qu'au propriétaire original.

La preuve d'achat est requise pour un service en vertu de la garantie. En l'absence de preuve d'achat écrite, le code indiquant la date de fabrication constituera l'unique déterminant de la date d'installation du produit. Pour procéder à un entretien ou à une réparation en vertu de la garantie, veuillez communiquer avec le lieu d'achat ou le centre de service autorisé Hayward le plus près. Pour de plus amples renseignements sur les centres de services autorisés Hayward, veuillez communiquer avec le centre de soutien technique Hayward (61, rue White Cap, North Kingstown, RI 02852) ou consultez le site Web de Hayward au www.hayward.com.

EXCLUSIONS DE LA GARANTIE :

1. Dommage résultant d'une installation inadéquate, y compris l'installation sur des piscines plus grandes que celles pour lesquelles le produit est conçu.
2. Problèmes résultant de l'omission d'installer, d'utiliser et d'entretenir le ou les produits conformément aux recommandations figurant dans le ou les guides d'utilisation.
3. Problèmes résultant de l'omission de maintenir la chimie de l'eau équilibrée conformément aux recommandations figurant dans le ou les guides d'utilisation.
4. Problèmes résultant de la manipulation, d'un accident, d'un usage abusif, de négligence, de réparations ou modifications non autorisées, d'un incendie, d'une inondation, de la foudre, du gel, d'une infiltration d'eau de l'extérieur, de la dégradation de la pierre naturelle utilisée ou située à proximité d'une piscine ou d'un spa, d'une guerre ou de catastrophes naturelles.

CLAUDE DE NON-RESPONSABILITÉ. LES GARANTIES EXPRESSÉMENT CITÉES CI-DESSUS CONSTITUENT L'ENSEMBLE DES GARANTIES OFFERTES POUR LES PRODUITS DE CHLORATION ET D'AUTOMATISATION DE PISCINE HAYWARD MENTIONNÉS CI-DESSUS ET REMPLACENT TOUTE AUTRE GARANTIE EXPLICITE OU IMPLICITE, Y COMPRIS TOUTE GARANTIE DE VALEUR COMMERCIALE OU D'ADAPTATION À UN USAGE SPÉCIFIQUE. CES GARANTIES VOUS CONFÈRENT DES DROITS PARTICULIERS ET VOUS POURRIEZ ÉGALEMENT JOUIR D'AUTRES DROITS À L'ÉGARD DE L'ÉQUIPEMENT, LA PERTE DE PROFITS OU DE REVENUS, LE COÛT DE LOCATION DE REMPLACEMENTS ET AUTRES DÉPENSES, MÊME SI LE VENDEUR AVAIT ÉTÉ AVISÉ DE LA POSSIBILITÉ DE TELS DOMMAGES. CERTAINES PROVINCES NE PERMETTENT PAS L'EXCLUSION OU LA LIMITATION DE DOMMAGES INDIRECTS OU ACCESSOIRES DE SORTE QUE LES LIMITES CITÉES CI-DESSUS POURRAIENT NE PAS S'APPLIQUER DANS VOTRE CAS.

AUCUN GROSSISTE, AGENT, DÉTAILLANT, ENTREPRENEUR OU TOUTE AUTRE PERSONNE NE PEUT OFFRIR, AJOUTER OU MODIFIER TOUTE GARANTIE AU NOM DE HAYWARD.

CES GARANTIES SONT ANNULÉES SI LE PRODUIT A ÉTÉ MODIFIÉ D'UNE QUELCONQUE FAÇON APRÈS AVOIR QUITTÉ L'USINE. POUR LES PRODUITS DE CHLORATION MENTIONNÉS CI-DESSUS, CES GARANTIES SONT ÉGALEMENT ANNULÉES SI, DURANT LA PÉRIODE DE GARANTIE, VOUS UTILISEZ UNE CELLULE AUTRE QU'UNE CELLULE NEUVE, NON MODIFIÉE D'ORIGINE HAYWARD ACHETÉE D'HAYWARD. SI UNE GARANTIE EST ANNULÉE, VOUS POURREZ TOUT DE MÊME ACHETER DU SERVICE ET TÉLÉPHONER LE SOUTIEN TECHNIQUE SELON LES TAUX EN VIGUEUR AU MOMENT DE LA DEMANDE.



make sure holes are level before drilling

Pour de plus amples renseignements ou pour du soutien technique
au consommateur, visitez notre site Web au
www.haywardpool.ca



Hayward is a registered trademark and AQR100 is a
trademark of Hayward Industries, Inc. © 2019 Hayward Industries, Inc.

All other trademarks not owned by Hayward are the property of their respective owners.
Hayward is not in any way affiliated with or endorsed by those third parties.

UTILISEZ UNIQUEMENT DES PIÈCES DE REMPLACEMENT D'ORIGINE HAYWARD