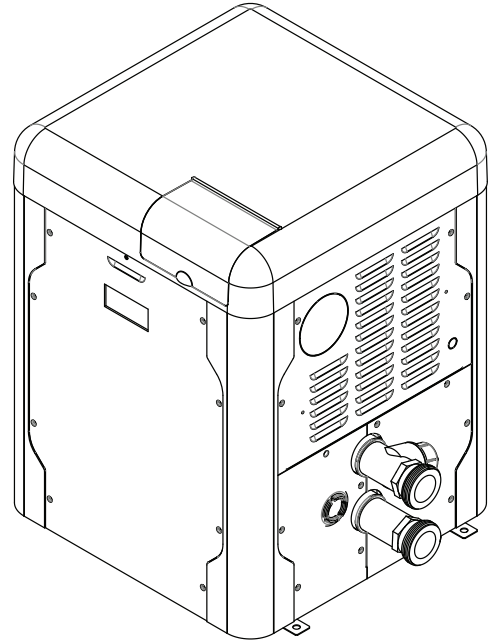


INSTALLATION & OPERATION MANUAL



Gas-Fired Pool and Spa Heater

Models: 264 and 404



NOTICE

SCAN WITH QR EQUIPPED SMART
DEVICE FOR ONLINE MANUAL.



WARNING: If the information is not followed exactly, a fire or explosion may result causing property damage, personal injury or death.

- Do not store or use gasoline or other flammable vapors and liquids or other combustible materials in the vicinity of this or any other appliance. To do so may result in an explosion or fire.
- WHAT TO DO IF YOU SMELL GAS
 - Do not try to light any appliance.
 - Do not touch any electrical switch; do not use any phone in your building.
 - Immediately call your gas supplier from a neighbor's phone. Follow the gas supplier's instructions.
 - If you cannot reach your gas supplier, call the fire department.
- Installation and service must be performed by a qualified installer, service agency or the gas supplier.

This manual should be maintained in legible condition and kept adjacent to the heater or in a safe place for future reference.

Raypak[®]
A Rheem[®] Company

Effective: 04-15-24
Replaces: 08-31-23
P/N: 100-10000111 Rev. 07

⚠️ AVERTISSEMENT: Assurez-vous de bien suivre les instructions données dans cette notice pour réduire au minimum le risque d'incendie ou d'explosion ou pour éviter tout dommage matériel, toute blessure ou la mort.

Ne pas entreposer ni utiliser d'essence ou ni d'autres vapeurs ou liquides inflammables à proximité de cet appareil ou de tout autre appareil.

QUE FAIRE SI VOUS SENTEZ UNE ODEUR DE GAZ:

- Ne pas tenter d'allumer d'appareil.
- Ne touchez à aucun interrupteur; ne pas vous servir des téléphones se trouvant dans la bâtiment.
- Appelez immédiatement votre fournisseur de gaz depuis un voisin. Suivre les instructions du fournisseur.
- Si vous ne pouvez rejoindre le fournisseur, appelez le service es incendies.

L'installation et l'entretien doivent être assurés par un installateur qualifié ou par le fournisseur de gaz.

QUICK REFERENCE GUIDE

CLEARANCES

- Space required: See pages **7-9**.
- Minimum and service clearances: See page **7** for clearances table. Note that local codes prevail.

PIPING

- Pressure relief valve: See page **21** for recommended PRV orientation.
- Flow rates: See page **19**.

GAS

- Distance to regulator (pipe lengths) and gas inlet sizes: See page **19**.
- Required pressure for Natural Gas:
Min = 3.5" WC (Dynamic), Max = 10.5" WC (Static)
- Required pressure for Propane Gas:
Min = 8.0" WC (Dynamic), Max = 13" WC (Static)
- Sediment trap is required for all installations:
See page **18**.

WATER CHEMISTRY

- Water chemistry requirements: See page **5**.

POWER

- Supply voltage: See page **24** for acceptable input voltages.

VENTING

- Materials: See pages **13, 15** and **16**.

CONTROLS INTERFACE

- Controls Wiring diagram: See page **26**.
- User interface: See page **27**.
- Remote operation: See page **36**.

Revision 7 reflects the following changes: Updated Rating and Cert. section on page 6 to mention CAN/CGA - 2.17-M91. Updated elevation section to indication specifics for kits needed for elevation levels and gas types.

TABLE OF CONTENTS

1. WARNINGS	4	Control Lockout	34
Pay Attention to These Terms	4	Status and Diagnostics	34
General Safety	5	Remote Mode Selector - Installation and Operation	36
2. WATER CHEMISTRY	5	Time Clock/Fireman's Switch	38
Automatic Chlorinators and Chemical Feeders.....	5	8. OPERATING INSTRUCTIONS	44
3. BEFORE INSTALLATION	6	Before Start-Up	44
Receiving equipment.....	6	Start-Up Procedures	44
Rating and certifications.....	6	9. MAINTENANCE AND CARE	47
Elevation	6	Cold Weather Operation	47
Required Power Supply	6	10. TROUBLESHOOTING	48
Ambient Temperature Rating	6	Operation and Troubleshooting - Flow Chart	49
4. INSTALLATION	6	Control Logic - Flow Chart	50
Installation Codes	7	11. CONNECT TO WI-FI WITH RAYMOTE	51
Clearances	7	Preparing the Unit for Connection.....	52
Outdoor Heater Installation	7	Add a New Heater to Raymote	52
Combustion and Ventilation Air	10	For iPhone 6 and Earlier Versions	56
Direct Vent and Ducted Combustion Air Systems..	10	AVIA Heater Setup	58
Venting	13	12. RAYMOTE MOBILE APP	58
Gas Supply Connections.....	18	User and Organization Settings	58
Gas Regulator Best Practices	19	Help and Tech Support	61
Flow Rates	19	Main View.....	62
ProTek Shield Assembly.....	20	Automation	63
Unitherm Governor Operation.....	20	Pool-Spa Mode Screen	65
Internal Automatic Bypass Valve.....	21	Accessories Screen	67
External Auxiliary Bypass Valve	21	Reset Wi-Fi Credentials	68
Auxiliary Bypass Valve Adjustment	21	Reconnect to Wi-Fi.....	68
Pressure Relief Valve Installation.....	21	Add a New User to your Organization.....	73
Plumbing Diagrams.....	23	Client Accounts: Invite a Contractor	75
Water/Flue Connection Reversal	24	Partner Accounts: Invite New Clients	77
5. ELECTRICAL WIRING	24	Switch to other Organizations	79
Electrical Power Draw	24	Connectivity Troubleshooting.....	80
Transformer Wiring	25	13. AUXILIARY CONTROL OUTPUT	81
6. CONTROLS WIRING DIAGRAM	26	14. REPLACEMENT PARTS	83
7. CONTROLS	27	15. ILLUSTRATED PARTS LIST	84
Heater Top Removal	27	16. IMPORTANT INSTRUCTIONS FOR THE COMMONWEALTH OF MASSACHUSETTS ...	93
Control Adjustments	27	17. QR CODES	94
Operation	28		
Service Menus	28		
Program Menu	31		

THIS INSTALLATION MANUAL MAY NOT BE THE LATEST REVISION PRINTED AT THE TIME OF PRODUCT SHIPMENT. VISIT THE RAYPAK WEBSITE TO VERIFY THE MANUAL DELIVERED WITH YOUR RAYPAK UNIT IS THE MOST UP-TO-DATE VERSION; OR SCAN THE QR CODE ON THE COVER PAGE.

1. WARNINGS

Pay Attention to These Terms

▲ DANGER	Indicates the presence of immediate hazards which will cause severe personal injury, death or substantial property damage if ignored.
▲ WARNING	Indicates the presence of hazards or unsafe practices which could cause severe personal injury, death or substantial property damage if ignored.
▲ CAUTION	Indicates the presence of hazards or unsafe practices which could cause minor personal injury or product or property damage if ignored.
CAUTION	CAUTION used without the warning alert symbol indicates a potentially hazardous condition which could cause minor personal injury or product or property damage if ignored.
NOTE	Indicates special instructions on installation, operation, or maintenance which are important but not related to personal injury hazards.

▲ WARNING: To minimize the possibility of improper operation, serious personal injury, fire, or damage to the heater:

- Always keep the area around the heater free of combustible materials, gasoline, and other flammable liquids and vapors.
- Heater should never be covered or have any blockage to the flow of fresh air to the heater.

▲ WARNING: Gasoline, as well as other flammable materials and liquids (adhesives, solvents, etc.), and the vapors they produce, are extremely dangerous. Do not handle, use, or store gasoline or other flammable or combustible materials in the vicinity of a heater.

▲ WARNING: This unit contains refractory ceramic fiber (RCF) insulation in the combustion chamber. RCF, as manufactured, does not contain respirable crystalline silica. However, following sustained exposure to very high temperatures [greater than 2192°F (1200°C), the RCF can transform into crystalline silica (cristabolite). The International Agency for Research on Cancer (IARC) has classified the inhalation of crystalline silica (cristabolite) as carcinogenic to humans.

When removing the burner or heat exchanger, take precautions to avoid creating airborne dust and avoid inhaling airborne fibers. When cleaning spills, use wet sweeping or High Efficiency Particulate Air (HEPA) filtered vacuum to minimize airborne dust. Use feasible engineering controls such as local exhaust ventilation or dust collecting systems to minimize airborne dust. Wear appropriate personal protective equipment including gloves, safety glasses with side shields, and appropriate NIOSH-certified respiratory protection, to avoid inhalation of airborne dust and airborne fiber particles.

▲ WARNING: Both natural gas and propane have an odorant added to aid in detecting a gas leak. Some people may not physically be able to smell or recognize this odorant. If you are unsure or unfamiliar with the smell of natural gas or propane, ask your local gas supplier. Other conditions, such as “odorant fade,” which causes the odorant to diminish in intensity, can also hide, camouflage, or otherwise make detecting a gas leak by smell more difficult.

▲ WARNING: UL-recognized fuel gas detectors are recommended in all enclosed propane and natural gas applications wherein there is a potential for an explosive mixture of fuel gas to accumulate and their installation should be in accordance with the detector manufacturer’s recommendations and/or local laws, rules, regulations, or customs.

▲ WARNING: Do not install within 3 feet (0.9 m) of a heat pump or an outdoor condensing unit. Strong air intake from this type of equipment can disturb the combustion process and cause damage or personal injury.

▲ WARNING: Improper installation, adjustment, alteration, service, or maintenance can cause property damage, personal injury or loss of life. Installation and service must be performed by a qualified installer, service agency, or the gas supplier.

▲ WARNING: The heater shall not be located in an area where water sprinklers, or other devices, may cause water to spray through the cabinet louvers and into the heater. This could cause internal rusting or damage electrical components, causing damage which will not be covered under warranty.

General Safety

Elevated water temperature can be hazardous. The U.S. Consumer Product Safety Commission has these guidelines:

1. Spa water temperatures should never exceed 104°F (40°C). A temperature of 100°F (38°C) is considered safe for a healthy adult. Special caution is suggested for young children.
2. Drinking of alcoholic beverages before or during spa or hot tub use can cause drowsiness which could lead to unconsciousness and subsequently result in drowning.
3. Pregnant Women Beware! Soaking in water over 102°F (39°C) can cause fetal damage during the first three months of pregnancy resulting in the birth of a brain-damaged or deformed child. Pregnant women should stick to the 100°F (38°C) maximum rule.
4. Before entering the spa or hot tub, users should check the water temperature with an accurate thermometer; spa or hot tub thermostats may err in regulating water temperatures by as much as 4°F (2.2°C).
5. Persons with a medical history of heart disease, circulatory problems, diabetes, or blood pressure problems should obtain a physician's advice before using spas or hot tubs.
6. Persons taking medications which induce drowsiness, such as tranquilizers, antihistamines, or anticoagulants, should not use spas or hot tubs.

2. WATER CHEMISTRY

NOTE: Corrosive water voids all warranties.

Chemical imbalance can cause severe damage to your heater and associated equipment. Maintain your water chemistry according to **Table A**. If the mineral content and dissolved solids in the water become too high, scale forms inside the heat exchanger tubes, reducing heater efficiency and damaging the heater. If the pH drops below 7.2, this will cause corrosion of the heat exchanger and severely damage the heater. **Heat exchanger damage resulting from chemical imbalance is not covered by the warranty.**

Recommended Level(s)	Fiberglass Pools	Fiberglass Spas	Other Pool and Spa Types
Water Temperature	68-88°F (20-31°C)	89-104°F (31-40°C)	68-104°F (20-40°C)
pH	7.3-7.4	7.3-7.4	7.6-7.8
Total Alkalinity (ppm)	120-150	120-150	80-120
Calcium Hardness (ppm)	200-300	150-200	200-400
Salt (ppm)	4500 Maximum	4500 Maximum	4500 Maximum
Free Chlorine (ppm)*	2-3	2-3	2-3
Total Dissolved Solids (ppm)	3000 Maximum**	3000 Maximum**	3000 Maximum**

*Free Chlorine **MUST NOT EXCEED 5 ppm!**

**In saltwater chlorinated pools, the Total Dissolved Solids (TDS) can be as high as 6000 ppm.

For your health and the protection of your pool equipment, it is essential that your water be chemically balanced. The following levels must be used as a guide for balanced water.

▲ CAUTION: Free chlorine must not exceed 5 ppm which can damage the heater and is not covered under warranty.

- Occasional chemical shock dosing of the pool or spa water should not damage the heater providing the water is balanced.
- Automatic chemical dosing devices and salt chlorinators are usually more efficient in heated water, unless controlled, they can lead to excessive chlorine level which can damage your heater.
- Check valve should be installed between the heater outlet and a chlorinator or other chemical dosing device.
- Further advice should be obtained from your pool or spa builder, accredited pool shop, or chemical supplier for the correct levels for your water.

Automatic Chlorinators and Chemical Feeders

All chemicals must be introduced and completely diluted into the pool or spa water before being circulated through the heater. Do not place sanitizing chemicals in the skimmer. High chemical concentrations will result when the pump is not running (e.g. overnight).

Chlorinators must feed downstream of the heater and have an anti-siphoning device/check valve to prevent chemical backup into the heater when the pump is shut off. See "**Plumbing Diagram**" on page 23.

NOTE: High chemical concentrates from feeders and chlorinators that are out of adjustment will cause rapid corrosion to the heat exchanger. Such damage is not covered under the warranty.

Table A. Pool Water Chemistry

3. BEFORE INSTALLATION

Receiving Equipment

The manufacturer recommends that this manual be reviewed thoroughly before installing the pool/spa heater. If there are any questions that this manual does not answer, please contact the factory or your local representative.

On receipt of your equipment it is suggested that you visually check for external damage to the carton. If the carton is damaged, a note should be made on the Bill of Lading when signing for the equipment. Remove the heater from the carton. If it is damaged, report the damage to the carrier immediately. Save the carton.

These items are shipped inside a box in the carton with the heater:

Standard Unit

1. (2) 2" CPVC Tailpiece
2. (2) 2" CPVC Ring Nut
3. (2) O-rings
4. (1) 120V Blower Adapter
5. (1) 3-Wire Remote Harness
6. (1) Auxiliary Harness / Terminal
7. (1) Raymote Quick Start Guide

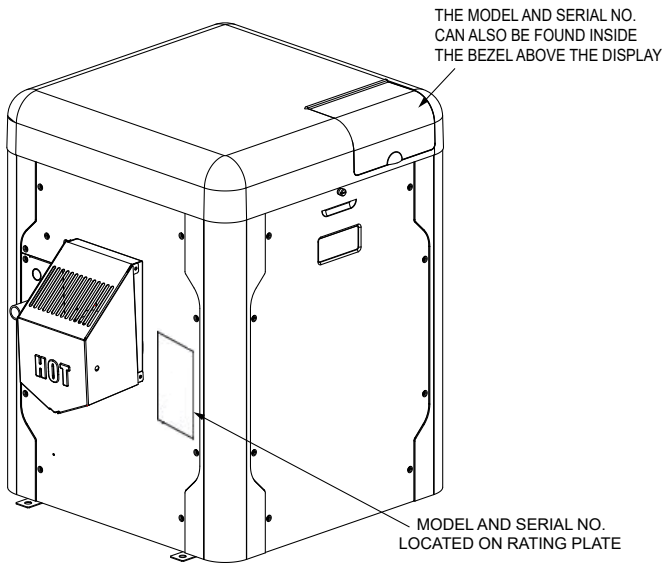


Figure 1. Rating Plate Location

Be sure that you receive the number of packages indicated on the Bill of Lading.

Rating and Certifications

These heaters are design-certified and tested under the latest requirements of the ANSI Z21.56 / CSA 4.7 and CAN/CGA - 2.17-M91, Standard for Gas-Fired Pool Heaters. This product is also certified to SCAQMD 1146.2 and SJVAPCD Rule 4308. All heaters can be used either indoors or outdoors when appropriate venting is installed. See section "Venting" on page 13 for details. The appropriate vent cover designated for each type of use is required.

Elevation

This product is CSA certified up to 4,500 ft. elevation and is operable up to 10,000 ft. elevation for Natural Gas and up to 7,800 ft. for Propane. Raypak kit number 018762F is required for Propane operation between 4,500-7,800 ft.

When installing at altitudes above 4,500 ft., both gas type pool heater configurations require gas valve adjustments as needed by a qualified technician.

Required Power Supply

Requires 240VAC (factory default) or 120VAC, 1 Ph, 60 Hz Power Supply. Do not operate on 50 Hz power supply.

Ambient Temperature Rating

Heater Component Temperature Ratings

-32°F to 175°F (-35°C to 79°C).

4. INSTALLATION

▲WARNING: This unit contains refractory ceramic fiber (RCF) insulation in the combustion chamber. RCF, as manufactured, does not contain respirable crystalline silica. However, following sustained exposure to very high temperatures >2192°F (1200°C), the RCF can transform into crystalline silica (cristabolite). The International Agency for Research on Cancer (IARC) has classified the inhalation of crystalline silica (cristabolite) as carcinogenic to humans.

When removing the burner or heat exchanger, take precautions to avoid creating airborne dust and avoid inhaling airborne fibers. When cleaning spills, use wet sweeping or High Efficiency Particulate Air (HEPA) filtered vacuum to minimize airborne dust. Use feasible engineering controls such as local exhaust ventilation or dust collecting systems to minimize airborne dust. Wear appropriate personal protective equipment including gloves, safety glasses with side shields, and appropriate NIOSH-certified respiratory protection, to avoid inhalation of airborne dust and airborne fiber particles.

Surfaces

IMPORTANT NOTICE: These instructions are intended only for the use by qualified personnel, specifically trained and experienced in the installation of this type of heating equipment and related system components. Installation and service personnel may be required by some states to be licensed. If your state is such, be sure your contractor bears the appropriate license. Persons not qualified shall not attempt to fix the equipment nor attempt repairs according to these instructions.

⚠ WARNING: Improper installation, adjustment, alteration, service or maintenance may damage the equipment, create a hazard resulting in asphyxiation, explosion or fire, cause damage which will not be covered under warranty.

For ease of servicing, we recommend a clearance of at least 24" (610 mm) for both the left and right side, and also the top. This will enable the heater to be serviced in its installed location, that is, without needing to move the header.

Clearances less than these may require removal of the heater to service either the heat exchanger or the burner. In either case, the heater must be installed in a manner that will enable the heater to be serviced without removing any structure around the heater.

Installation Codes

Installation must be in accordance with local codes, or, in the absence of local codes, with the latest edition of the National Fuel Gas Code, ANSI Z223.1/NFPA54 and National Electrical Code, ANSI/NFPA 70, and for Canada, the latest edition of CAN/CSA-B149 Installation Codes, and Canadian Electrical Code, CSA C22.1 Part 1 and Part 2.

⚠ AVERTISSEMENT: Cet appareil doit être installé conformément au National Fuel gas Code ANSI Z223.1, et aux exigences de l'autorité compétente.

Flooring

This heater can be installed on combustible flooring.

Outdoor Heater Installation

These heaters are design-certified for outdoor installation, when equipped with the approved vent cover designated for outdoor use.

⚠ WARNING: The heater shall not be located in an area where water sprinklers, or other devices, may cause water to spray through the cabinet louvers and into the heater. This could cause internal rusting or damage electrical components, and void the warranty.

⚠ WARNING: Do not install within 3' (0.9 m) of a heat pump or an outdoor condensing unit. Strong air intake from this type of equipment can disturb the combustion process and cause damage or personal injury.

Clearances

All Heaters

For indoor and outdoor clearances from combustible surfaces see **Table B** below.

Location	Indoor Installation
Top	Unobstructed
Front	0"
Floor	0"
Back	0"
Right Side	3" (76 mm) from Panel - Water Side
Left Side	3" (76 mm) from Panel - Vented Side

Location	Outdoor Installation
Top	Unobstructed
Front	0"
Floor	0"
Back	0"
Right Side	3" (76 mm) from Panel - Water Side
Left Side	6" (152 mm) from Vent Cap

Table B. Minimum Clearances from Combustible

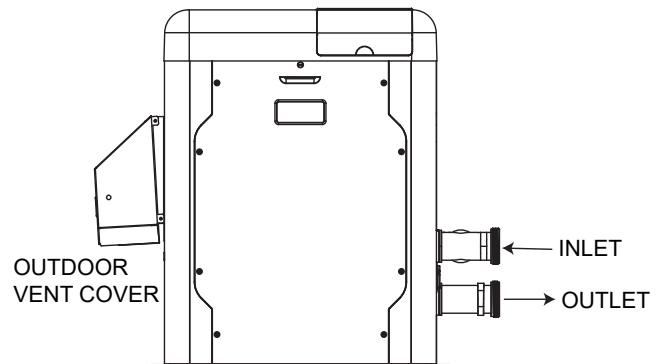
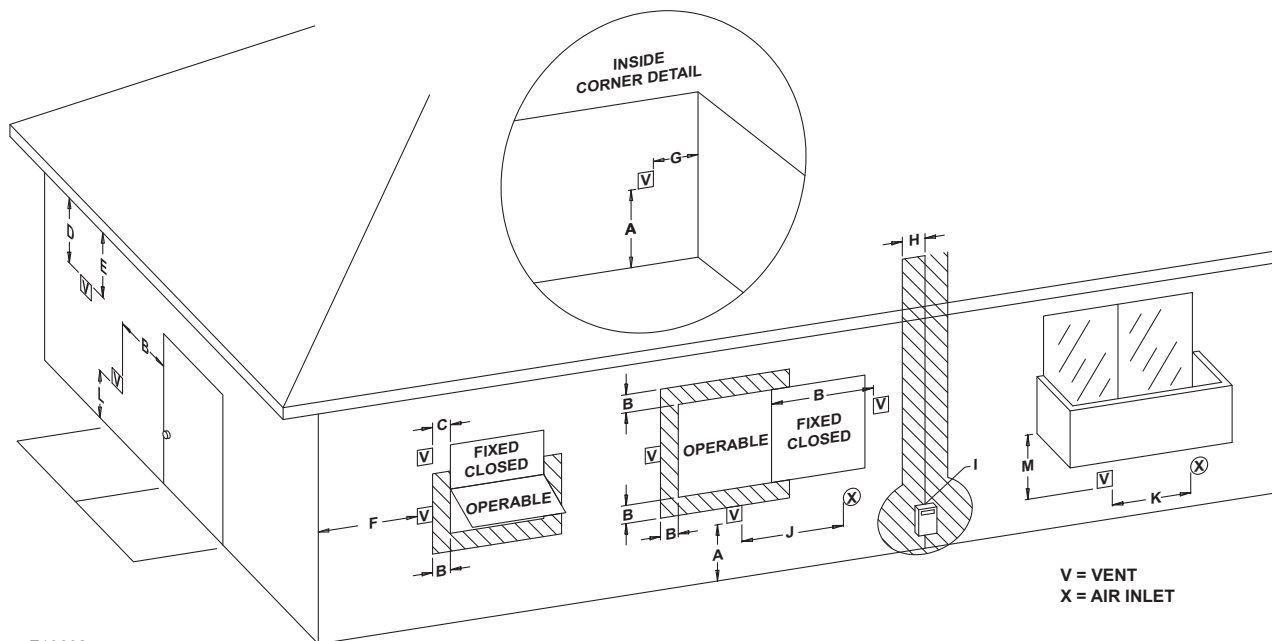


Figure 2. Front View Of Cabinet Vent/Air Inlet Termination Clearances



F10692

Figure 3. Minimum Clearances from Vent/Air Inlet Terminations – Indoor and Outdoor Installations

		U.S. Installations ¹	Canadian Installations ²
A	Clearance above grade, veranda, porch, deck, or balcony	1' (30 cm)	1' (30 cm)
B	Clearance to window or door that may be opened	4' (1.2 m) below or to side of opening	3' (91 cm)
C	Clearance to permanently closed window	*	*
D	Vertical clearance to ventilated soffit located above the terminal within a horizontal distance of 2' (61 cm) from the centerline of the terminal	5' (1.5 m)	*
E	Clearance to unventilated soffit	*	*
F	Clearance to outside corner	*	*
G	Clearance to inside corner	6' (1.83 m)	*
H	Clearance to each side of center line extended above meter/regulator assembly	*	3' (91 cm) within a height 15' (4.5 m) above the meter/regulator assembly
I	Clearance to service regulator vent outlet	*	6' (1.83 m)
J	Clearance to non-mechanical air supply inlet to building or the combustion air inlet to any other appliance	4' (1.2 m) below or to side of opening; 1' (30 cm) above opening	3' (91 cm)
K	Clearance to mechanical air supply inlet	3' (91 cm) above if within 10' (3 m) horizontally	6' (1.83 m)
L	Do not terminate above paved sidewalk or paved driveway	Slip hazard due to frozen condensate	Slip hazard due to frozen condensate
M	Clearance under veranda, porch, deck or balcony	*	1' (30 cm) ^t

¹ In accordance with the current ANSI Z223.1/NFPA 54 National Fuel Gas Code.

² In accordance with the current CAN/CSA-B149 Installation Codes.

^t Permitted only if veranda, porch, deck, or balcony is fully open on a minimum of two sides beneath the floor and top of terminal, and underside of veranda, porch, deck or balcony is greater than 1' (30 cm).

* Clearances in accordance with local installation codes and the requirements of the gas supplier.

Table C. Vent/Air Inlet Termination Clearances

Description	Location	Distance in. (mm)
a. 3-1/2" (89 mm) thick masonry walls without ventilated air space	Back	9 (229)
	Right	9 (229)
	Left	9 (229)
	Vent	5 (127)
	Indoor Top	39 (991)
b. 1/2" (13 mm) insulation board over 1" (25 mm) glass fiber or mineral wool batts	Back	6 (152)
	Right	6 (152)
	Left	6 (152)
	Vent	3 (76)
	Indoor Top	30 (762)
c. 0.024 sheet metal over 1" (25 mm) glass fiber or mineral wool batts reinforced with wire on rear face with ventilated air space	Back	4 (102)
	Right	4 (102)
	Left	4 (102)
	Vent	3 (76)
	Indoor Top	24 (610)
d. 3-1/2" (89 mm) thick masonry wall with ventilated air space	Back	6 (152)
	Right	6 (152)
	Left	6 (152)
	Vent	6 (152)
	Indoor Top	39 (991)
e. 0.024 sheet metal with ventilated air space	Back	4 (102)
	Right	4 (102)
	Left	4 (102)
	Vent	2 (51)
	Indoor Top	24 (610)
f. 1/2" (13 mm) thick insulation board with ventilated air space	Back	4 (102)
	Right	4 (102)
	Left	4 (102)
	Vent	3 (76)
	Indoor Top	24 (610)
g. 0.024 sheet metal with ventilated air space over 0.024 sheet metal with ventilated air space.	Back	4 (102)
	Right	4 (102)
	Left	4 (102)
	Vent	3 (76)
	Indoor Top	24 (610)
h. 1" (25 mm) glass fiber or mineral wool batts sandwiched between two sheets 0.024 sheet metal with ventilated air space	Back	4 (102)
	Right	4 (102)
	Left	4 (102)
	Vent	3 (76)
	Indoor Top	24 (610)
	Outdoor Top	Unobstructed

Derived from National Fuel Gas Code, Table 10.2.3

Table D. Reduction of Clearances to Protected Surfaces

Heaters must not be installed under an overhang of less than three 3' (0.9 m) from the top of the heater. Three sides must be open in the area under the overhang. Roof water drainage must be diverted away from the heaters installed under overhangs with the use of gutters.

For U.S. installations, the point from where the flue products exit the heater must be a minimum of 4' (1.2 m) below, 4' (1.2 m) horizontally from, or 1' (0.3 m) above any door, window or gravity inlet into any building. The top surface of the heater shall be at least 3' (0.9 m) above any forced air inlet, or intake ducts located within 10' (3 m) horizontally.

For Canadian installations, pool heaters shall not be installed with the top of the vent assembly within 10' (3 m) below, or to either side, of any opening into the building. Refer to the latest revisions of CAN/CSA-B149.

A minimum of 6' (1.8 m) is required from the heater to an inside corner wall for proper outdoor venting.

For installations in Florida and Texas, that must comply with the Florida or Texas Building Code, follow the directions shown in **Figure 5** for the installation of hurricane tie-down brackets for all models.

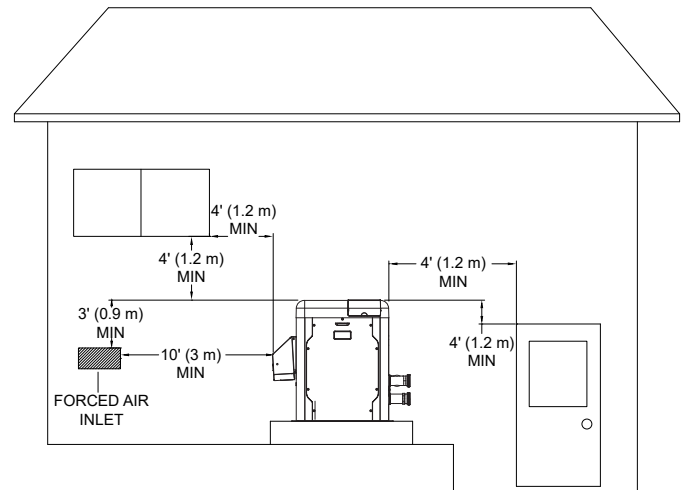


Figure 4. Clearances

Indoor Heater Installation

For Canada, indoor installation is restricted to an enclosure that is not occupied and does not directly communicate with an occupied area. Refer to the latest edition of CAN/CSA-B149 for specific requirements. Locate heater as close as is practical to a chimney or gas vent. Heater must always be vented to the outside. See "**Venting**" section on **page 13** for details. Minimum allowable space is shown on the nameplate.

Combustion and Ventilation Air

Indoor Units Only

The heater must have both combustion and ventilation air. The minimum requirements are listed in the latest edition of the National Fuel Gas Code (U.S. ANSI Z223.1 or Canada CAN/CSA-B149) and any local codes that may have jurisdiction. The most common approach is the “2-opening” method, with combustion air opening no more than 12" (305 mm) from the floor and the ventilation opening no more than 12" (305 mm) from the ceiling. For opening sizes using this method, see below.

All Air from Inside the Building:

Each opening shall have a minimum net free area as noted:

Model	Sq. in. (m ²)
264	264 (0.17)
404	399 (0.26)

Table E. Opening Minimum Net Free Requirements - Indoor Air

All Air from Outdoors:

When air is supplied directly from outside the building, each opening shall have a minimum net free area as noted:

Model	Unrestricted Opening sq. in. (m ²)	Typical Screened or Louvered Opening sq. in. (m ²)	Typical Screened and Louvered Opening sq. in. (m ²)
264	66 (0.04)	99 (0.06)	132 (0.09)
404	100 (0.06)	150 (0.1)	200 (0.13)

Table F. Opening Minimum Net Free Requirements - Outdoor Air

⚠ CAUTION: Combustion air must not be contaminated by corrosive chemical fumes which can damage the heater. Such damage will not be covered by the warranty

Direct Vent and Ducted Combustion Air Systems

If outside air is drawn through the intake pipe directly to the unit for combustion:

1. Connect combustion air to the heater by removing the screened cap on the air intake port, and sealing the combustion air duct to the existing PVC adapter. Glue or attach screws to fasten. The existing screen should be re-used at the intake end of the duct. Install the combustion air duct in accordance with **Figure 11** or **Figure 12** of this manual.
2. Provide adequate ventilation of the space occupied by the heater(s) by an opening(s) for ventilation air at the highest practical point communicating with the outdoors.
 - A. In the United States, the total cross-sectional area shall be at least 1 in.² of free area per 20,000 BTUH (111 mm² per kW) of total input rating of all equipment in the room when the opening is communicating directly with the outdoors or through vertical duct(s). The total cross-sectional area shall be at least 1 in.² of free area per 10,000 BTUH (222 mm² per kW) of total input rating of all equipment in the room when the opening is communicating with the outdoors through horizontal duct(s).
 - B. In Canada, there shall be permanent air supply opening(s) having a total cross-sectional area of not less than 1 in.² of free area per 30,000 BTUH (70 mm² per kW) of the total rated input. The location of the opening(s) shall not interfere with the intended purpose of the opening(s) for the ventilation air.
3. In cold climates, and to mitigate potential freeze-up, Raypak highly recommends the installation of a motorized sealed damper to prevent the circulation of cold air through the heater during the non-operating hours.

**Florida and Texas Building Code:
Wind Speed = 180 mph 3-sec. Gust
Exposure = C**

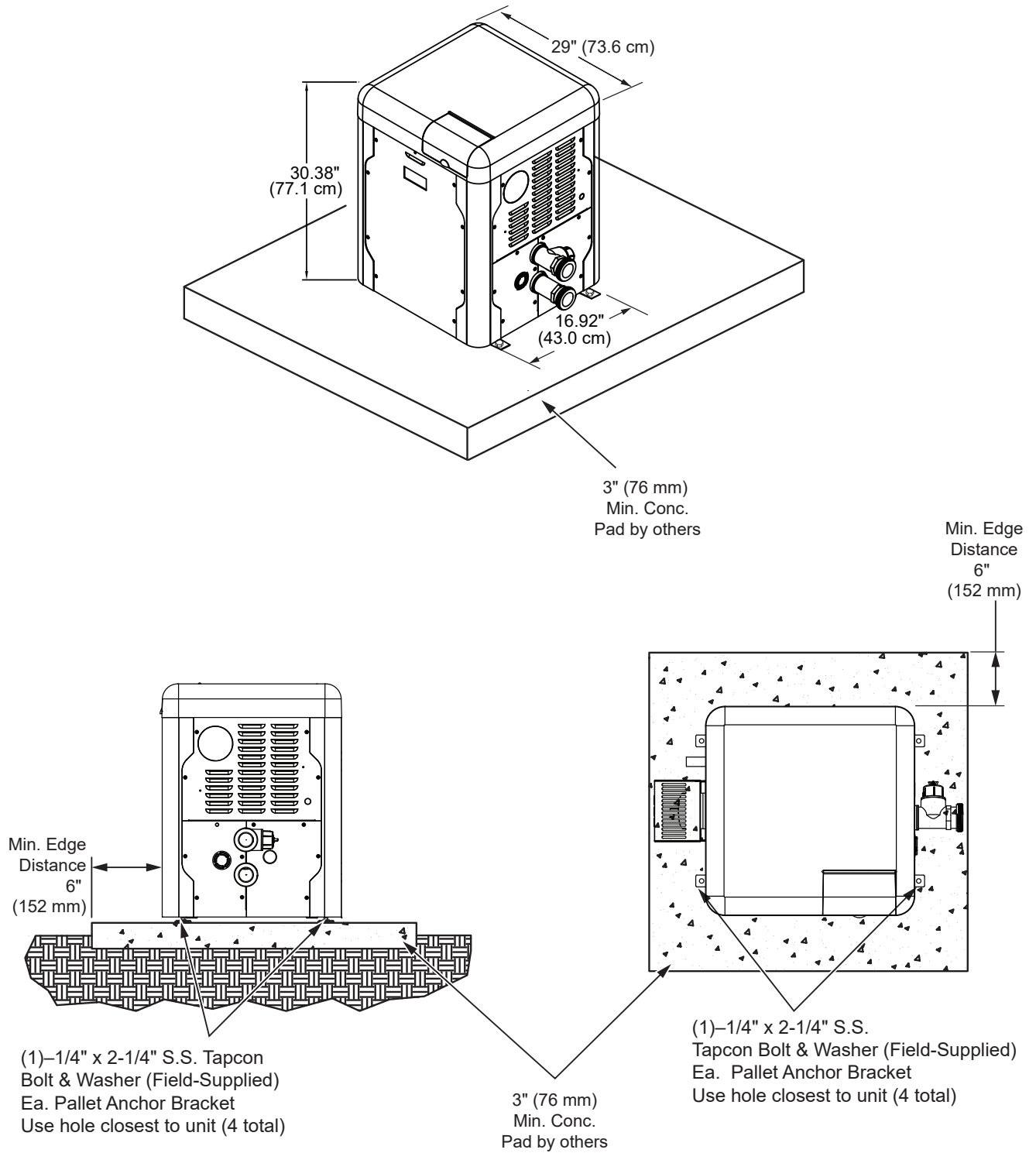


Figure 5. Hurricane Tie-Down Bracket Installation

Specifications and Dimensions

Amp Draw	
120 VAC, 1 Ph, 60 Hz	240 VAC, 1 Ph, 60 Hz
1.6 Amps	1.2 Amps

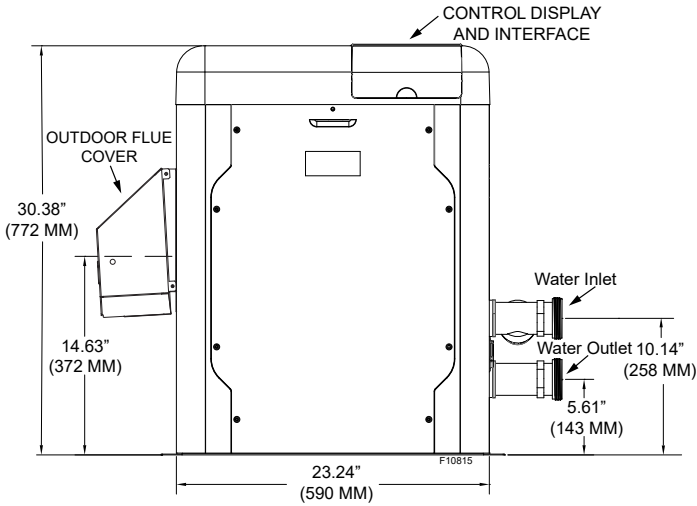


Figure 6. Front View

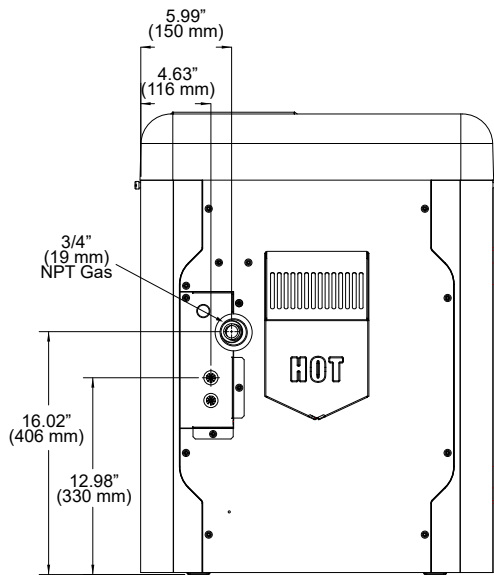


Figure 7. Left View with Gas & Power Connection Distances

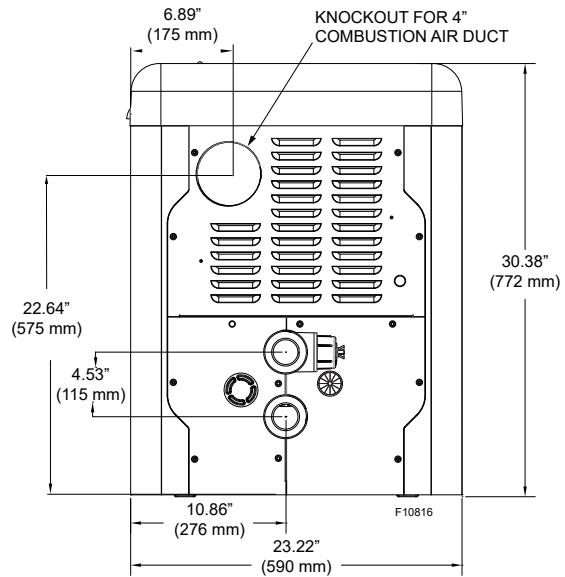


Figure 8. Right View

⚠ WARNING: The Commonwealth of Massachusetts requires that sidewall-vented heaters, installed in every dwelling, building or structure used in whole or in part for residential purposes, be installed using special provisions as outlined on page 93 of this manual.

Model No.	BTUH Input (kw)	Flue Dia. in. (mm)	Water Conn. in. (mm)	Shipping Weights - lbs (kg)
				Standard Heater
264	264 (77.4)	4 (101.6)	2 (51) Buttress	135 (61.2) +20 (9) Packing
404	399 (116.9)			

Table G. Heater Specifications and Dimensions

Venting

CAUTION: Proper installation of flue venting is critical for the safe and efficient operation of the pool heater.

NOTE: For additional information on appliance categorization, see the ANSI Z21.13 Standard and the NFPA (U.S.), or B149 (Canada), or applicable provisions of local building codes.

General

Appliance Categories

Heaters are divided into four categories based on the pressure produced in the exhaust and the likelihood of condensate production in the vent.

Category I – A heater which operates with a non-positive vent static pressure and with a vent gas temperature that avoids excessive condensate production in the vent.

Category II – A heater which operates with a non-positive vent static pressure and with a vent gas temperature that may cause excessive condensate production in the vent.

Category III – A heater which operates with a positive vent pressure and with a vent gas temperature that avoids excessive condensate production in the vent.

Category IV – A heater which operates with a positive vent pressure and with a vent gas temperature that may cause excessive condensate production in the vent.

See **Table H** for appliance category requirements.

WARNING: Contact the manufacturer of the vent material if there is any question about the appliance categorization and suitability of a vent material for application on a Category I vent system. Using improper venting materials can result in personal injury, death or property damage.

Description (Terminations)	Manufacturer	Manufacturer Model Number
Through-the-wall	Duravent	FSTB4
Horizontal Tee	Duravent	FSTT4
Horizontal Tee	Z-Flex	2SVSTTF04
Wall Thimble with Damper	Duravent	PRTFSWTT4
90-degree Elbow	Z-Flex	2SVSTEX0490
D15 - Vertical Horizontal Cap	Raypak	014289

Table I. Vent Terminations

Combustion Air Supply	Exhaust Configuration	Heater Venting Category	Certified Vent Materials	Combustion Air Inlet Material
From Inside Building	Vertical Venting	I Fan	B-Vent Equivalent	
	Horizontal Through-the-Wall Venting	III	UL 1738 Metallic Vent (such as AL29-4C)	
From Outside Building (Direct Vent or Ducted Combustion Air)	Vertical Venting with Ducted Combustion Air	I Fan	B-Vent Equivalent	Galvanized Steel, PVC, ABS, CPVC
	Vertical Direct Vent	III	UL 1738 Metallic Vent (such as AL29-4C)	
	Horizontal Direct Vent	III	UL 1738 Metallic Vent (such as AL29-4C)	

Note: For appliance adapter use Duravent FSAAU4 or Z-Flex 2SVSNA04.5

Table H. Venting Category Requirements

Support of Vent Stack

The weight of the vent stack or chimney must not rest on the heater vent connection. Support must be provided in compliance with applicable codes. The vent should also be installed to maintain proper clearances from combustible materials. Use insulated vent pipe spacers where the vent passes through combustible roofs and walls.

Vent Terminal Location

1. Condensate can freeze on the vent cap. Frozen condensate on the vent cap can result in a blocked flue condition.
2. Give special attention to the location of the vent termination to avoid possibility of property damage or personal injury.
3. Gases may form a white vapor plume in winter. The plume could obstruct a window view if the termination is installed near windows.
4. Prevailing winds, in combination with below-freezing temperatures, can cause freezing of condensate and water/ice build-up on buildings, plants or roofs.
5. The bottom of the vent terminal and the air intake shall be located at least 12 in. (305 mm) above grade, including normal snow line.
6. Un-insulated single-wall metal vent pipe shall not be used outdoors in cold climates for venting gas-fired equipment.
7. Through-the-wall vents for Category II and IV appliances and non-categorized condensing appliances shall not terminate over public walkways or over an area where condensate or vapor could create a nuisance or hazard or could be detrimental to the operation of regulators, relief valves, or other equipment. Where local experience indicates that condensate is a problem with Category I and III appliances, this provision shall also apply.
8. Locate and guard vent termination to prevent accidental contact by people or pets.
9. DO NOT terminate vent in window well, stairwell, alcove, courtyard or other recessed area.
10. DO NOT terminate above any door, window, or gravity air intake. Condensate can freeze, causing ice formations.
11. Locate or guard vent to prevent condensate from damaging exterior finishes. Use a rust-resistant sheet metal backing plate against brick or masonry surfaces.
12. DO NOT extend exposed vent pipe outside of building beyond the minimum distance required for the vent termination. Condensate could freeze and block the vent pipe.

U.S. Venting Installations

Refer to the latest edition of the National Fuel Gas Code.

Vent termination requirements are as follows:

1. Vent must terminate at least 4 ft. (1.2 m) below, 4 ft. (1.2 m) horizontally from or 12 in. (305 mm) above any door, window or gravity air inlet to the building.
2. The vent must not be less than 7 ft. (2.1 m) above grade when located adjacent to public walkways.
3. Terminate vent at least 3 ft. (0.9 m) above any forced air inlet located within 10 ft. (3.0 m).
4. Vent must terminate at least 4 ft. (1.2 m) horizontally, and in no case above or below, unless a 4 ft. (1.2 m) horizontal distance is maintained from electric meters, gas meters, regulators, and relief equipment.
5. Terminate vent at least 6 ft. (1.8 m) away from adjacent walls.
6. DO NOT terminate vent closer than 5 ft. (1.5 m) below roof overhang.
7. The vent terminal requires a 12 in. (305 mm) vent terminal clearance from the wall.
8. Terminate vent at least 12 in. (305 mm) above grade, including normal snow line.
9. Multiple direct vent installations require a 4 ft. (1.2 m) clearance between the ends of vent caps located on the same horizontal plane.

Canadian Venting Installations

Refer to latest edition of the B149 Installation code.

A vent shall not terminate:

1. Directly above a paved sidewalk or driveway which is located between two single-family dwellings and serves both dwellings.
2. Less than 7 ft. (2.13 m) above a paved sidewalk or paved driveway located on public property.
3. Within 6 ft. (1.8 m) of a mechanical air supply inlet to any building.
4. Above a meter/regulator assembly within 3 ft. (915 mm) horizontally of the vertical centerline of the regulator.
5. Within 3 ft. (0.9 m) of any gas service regulator vent outlet.
6. Less than 12 in. (305 mm) above grade level.
7. Within the 3 ft. (915 mm) of a window or door which can be opened in any building, any non-mechanical air supply inlet to any building or the combustion air inlet of any other appliance.
8. Underneath a veranda, porch or deck, unless the veranda, porch or deck is fully open on a minimum of two sides beneath the floor, and the distance between the top of the vent termination and the underside of the veranda, porch or deck.

Venting Installation Tips

Support piping:

- horizontal runs—at least every 5 ft. (1.5 m)
- vertical runs—use braces
- under or near elbows

Venting Configurations

For heaters connected to gas vents or chimneys, vent installations shall be in accordance with the NFGC (U.S.), or B149 (Canada), or applicable provisions of local building codes.

Vertical Venting (Category I) Fan-Assisted

Installation

Natural draft venting uses the natural tendency of the heated flue gases to rise, until they are expelled from the top of the flue. The negative draft must be within the range of -.01 to -.08 in. WC as measured 12 in. (305 mm) above the appliance flue outlet to ensure proper operation. Vent material must be listed by a nationally recognized test agency.

Double-wall Type B vent must be used to promote draft and to minimize condensation in the vent.

No drafthood is required or offered. A single-acting barometric damper is required if the height exceeds 25 feet (7.6 m).

The connection from the appliance vent to the stack must be as direct as possible. The horizontal breaching of a vent must have an upward slope of not less than 1/4 inch per linear foot from the heater to the vent terminal. The horizontal portions of the vent shall also be supported for the design and weight of the material employed to maintain clearances and to prevent physical damage or separation of joints.

Termination

The vent terminal should be vertical and should terminate outside the building at least 2 ft. (0.6 m) above the highest point of the roof that is within 8 ft. (2.4 m). The vent cap should have a minimum clearance of 4 ft. (1.2 m) horizontally from and in no case above or below electric meters, gas meters, regulators and relief equipment, unless a 4 ft. (1.2 m) horizontal distance is maintained. The distance of the vent terminal from adjacent public walkways, adjacent buildings, open windows and building openings must be consistent with the NFGC (U.S.) or B149 (Canada). Gas vents supported only by flashing and extended above the roof more than 5 ft. (1.5 m) should be securely guyed or braced to withstand snow and wind loads.

For factory approved vent termination caps, refer to the Illustrated Parts List (IPL) section of this manual. See page 84.

CAUTION: A listed vent cap terminal adequately sized, must be used to evacuate the flue products from the building.

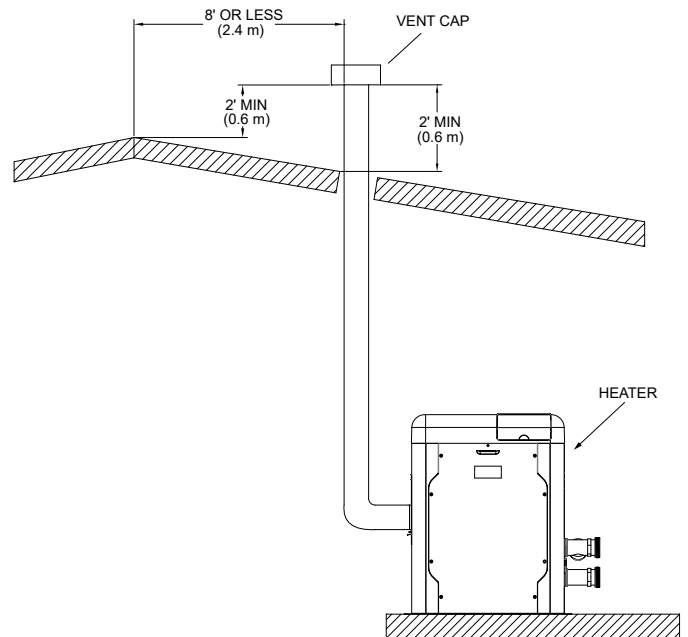


Figure 9. Vertical Venting

Model No.	Certified Vent Material	Vent Size in. (mm)	Vertical Vent Height ft. (m)*	
			Min.	Max.
264/404	Category I (Type B Equivalent) Fan-Assisted	4 (101.6)	5 (1.5)	25 (7.6)

Vent lengths are based on a lateral length of 2 ft. (0.6 m). Refer to the latest edition of the NFGC for further details. When vertical height exceeds 25 ft. (7.6 m), consult factory prior to installation.

*Subtract 12 ft. (3.6 m) per elbow.

Table J. Category I Vertical Venting

Horizontal Through-the-Wall Venting (Category III)

Installation

These installations utilize the heater's internal blower to vent the combustion products to the outdoors. Combustion air is taken from inside the room and the vent is installed horizontally through the wall to the outdoors. Adequate combustion and ventilation air must be supplied to the equipment room in accordance with the NFGC (U.S.) or B149 (Canada).

The total length of the horizontal through-the-wall flue vent system should not exceed 75 equivalent ft. (22.86 m) in length. If horizontal run exceeds 75 equivalent ft. (22.86 m), an appropriately-sized variable-speed extractor must be used. Each elbow used is equal to 12 ft. (3.6 m) of straight pipe.

The vent cap is not considered in the overall length of the venting system.

The vent must be installed to prevent flue gas leakage. Care must be taken during assembly to ensure that all joints are sealed properly and are airtight. The vent must be installed to prevent the potential accumulation of condensate in the vent pipes. It is recommended that the vent be insulated. Insulation is required for installations in cold environments (i.e. below 40°F or 4°C). It is required that:

The vent must be installed with a condensate drain located in proximity to the heater as directed by the vent manufacturer.

The vent must be installed with a slight upward slope of not less than 1/4 inch per foot of horizontal run to the vent terminal.

Termination

The vent cap **MUST** be mounted on the exterior of the building. The vent cap cannot be installed in a well or below grade. It must be installed at least 12" (305 mm) above ground level and above normal snow levels. The vent terminal must be located **NO CLOSER** than 12" (305 mm) off the wall.

For factory approved vent termination caps, refer to the Illustrated Parts List (IPL) section of this manual. See page 84.

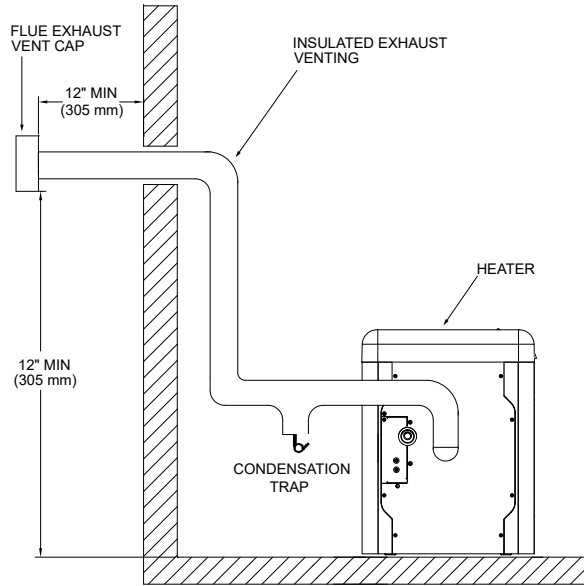


Figure 10. Horizontal Through-the-Wall Venting

CAUTION: This venting system requires the installation of a condensate drain in the vent piping per the vent manufacturer's instructions. Failure to install a condensate drain in the venting system will cause damage which will not be covered under warranty.

WARNING: No substitutions of flue pipe or vent cap material are allowed. Such substitutions would jeopardize the safety and health of inhabitants.

Direct Vent - Horizontal Through-the-Wall

Installation

These installations utilize the heater's internal blower to draw combustion air from outdoors and vent combustion products to the outdoors, see **Table K**.

NOTE: Use of B-vent on such a system does not meet direct-vent requirements.

The exhaust and intake systems must be installed to prevent the potential accumulation of condensate. It is recommended that they be insulated. Insulation is required for installations in cold environments (i.e. below 40°F (4°C).

The flue termination cap is not considered in the overall length of the venting system.

Model No.	Certified Vent Material	Vent Size ft. (m)	Maximum Vent Length ft. (m)*	Combustion Air Intake Pipe Material**	Air Intake Max. Length* ft. (m) 4" Ø
264/404	Category III	4 (1.2)	75 (22.86)	Galvanized Steel, PVC, ABS, CPVC	75 (22.86)

* Subtract 12 ft. (3.6 m) per elbow.

** Schedule 40 in PVC or CPVC.

Table K. Category III Horizontal Vent & Horizontal Direct Vent

Care must be taken during assembly that all joints are sealed properly and are airtight.

The vent must be installed to prevent the potential accumulation of condensate in the vent pipes. It is recommended that the vent be insulated. Insulation is required for installations in cold environments (i.e., below 40°F (4°C).

For installations in extremely cold climates, it is required that:

1. The vent must be installed with a slight upward slope of not more than 1/4 inch per foot of horizontal run to the vent terminal. An approved condensate trap must be installed per applicable codes.
2. The air intake vent must be insulated through the length of the horizontal run.

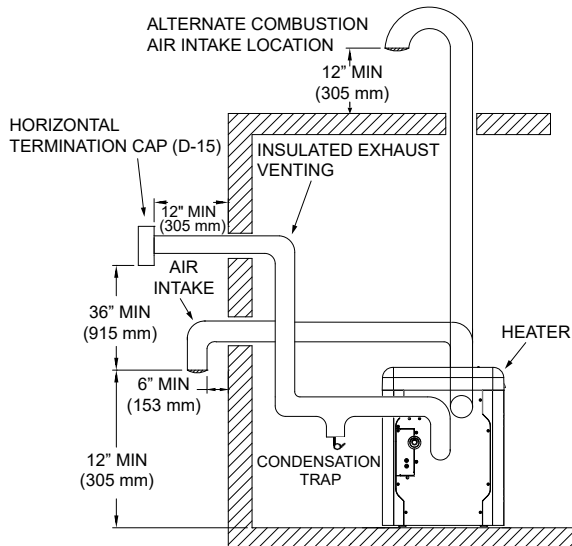


Figure 11. Horizontal Through-the-Wall Direct Venting

Termination

The exhaust vent cap **MUST** be mounted on the exterior of the building, and cannot be installed in a well or below grade. It must be installed at least 12" (305 mm) above ground level and above normal snow levels.

The exhaust vent cap **MUST NOT** be installed below or closer than 3 ft. (0.9 m) from the air intake. Venting any closer to the air intake will cause combustion gases to recirculate into the heater.

This type of installation can cause non-warrantable problems with components and poor operation of the heater due to the recirculation of flue products. Multiple vent caps should be installed in the same horizontal plane with a 4 ft. (1.2 m) minimum clearance from the side of one vent cap to the side of the adjacent vent cap(s). See **Figure 11**.

Combustion air supplied from outdoors must be free of particulate and chemical contaminants. To avoid a blocked flue condition, keep the vent cap clear of snow, ice, leaves, debris, etc.

Use only the special gas vent pipes listed for use with Category III gas burning heaters, such as the AL29-4C stainless steel vents offered by DuraVent (www.duravent.com). Follow the vent manufacturer’s installation instructions carefully.

⚠ WARNING: No substitutions of flue pipe or vent cap material are allowed. Such substitutions would jeopardize the safety and health of inhabitants.

⚠ CAUTION: Condensate is acidic and highly corrosive.

Direct Vent—Vertical

Installation

These installations utilize the heater-mounted blower to draw combustion air from outdoors and force the heated flue products through the vent pipe under positive pressure. The vent material must be in accordance with the above instructions for vent materials. Vent material must be listed by a nationally recognized test agency.

The connection from the appliance flue to the stack must be as direct as possible and should be the same size or larger than the vent outlet.

It is recommended that the intake vent be insulated in colder climates.

NOTE: Use of B-vent on such a system does not meet direct-vent requirements.

Termination

The flue should be vertical and should terminate outside the building at least 2 ft. (0.6 m) above the highest point of the roof within 10 ft. (3.0 m). The vent cap should have a minimum clearance of 4 ft. (1.2 m) horizontally from and in no case above or below (unless a 4 ft. (1.2 m)) horizontal distance is maintained) electric meters, gas meters, regulators and relief equipment. The distance of the vent terminal from adjacent public walkways, adjacent buildings, open windows and building openings must be consistent with the NFGC (U.S.) or B149 (Canada).

Vent pipes supported only by flashing and extended above the roof more than 5 ft. (1.5 m) should be securely guyed or braced to withstand snow and wind loads.

The air inlet opening **MUST** be installed 1 ft. (305 mm) above the roof line or above normal snow levels that might obstruct combustion air flow. This dimension is critical to the correct operation of the heater and venting system and reduces the chance of blockage from snow. The vent cap must have a minimum 3 ft. (0.9 m) vertical clearance from the air inlet opening.

Use only the special gas vent pipes listed for use with Category III gas burning heaters, such as the AL29-4C stainless steel vents offered by DuraVent (www.duravent.com). Pipe joints must be positively sealed. Follow the vent manufacturer’s installation instructions carefully.

Gas Supply Connections

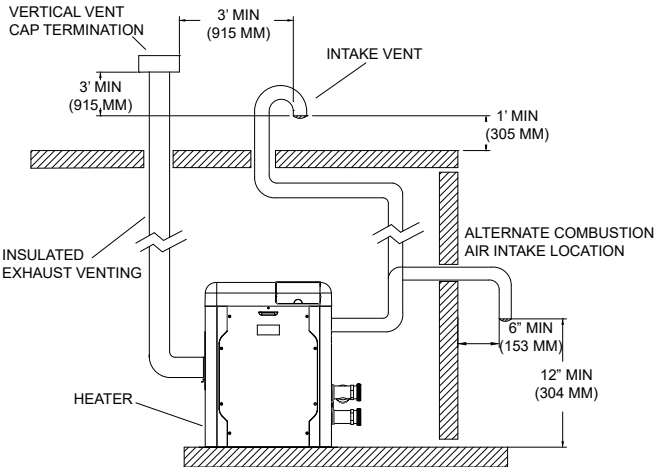


Figure 12. Direct Vent - Vertical

⚠ WARNING: No substitutions of vent pipe or vent cap material are allowed. Such substitutions would jeopardize the safety and health of inhabitants.

Outdoor Installation

The vent cap provided with the heater is the standard venting method for outdoor installations.

Care must be taken when locating the heater outdoors, because the flue gases discharged from the vent cap can condense as they leave the cap. Improper location can result in damage to adjacent structures or building finish. For maximum efficiency and safety, the following precautions must be observed:

1. Periodically check venting system. The heater's venting areas must never be obstructed in any way and minimum clearances must be observed to prevent restriction of combustion and ventilation air. Keep area clear and free of combustible and flammable materials.
2. Do not locate adjacent to any window, door, walkway, or gravity air intake. The vent must be located a minimum of 4 ft. (1.2 m) horizontally from such areas.
3. Install above grade level and above normal snow levels.
4. Vent terminal must be at least 3 ft. (0.9 m) above any forced air inlet located within 10 ft. (3.0 m).
5. Adjacent brick or masonry surfaces must be protected with a rust-resistant sheet metal plate.

NOTE: Condensate can freeze on the vent cap. Frozen condensate on the vent cap can result in a blocked flue condition.

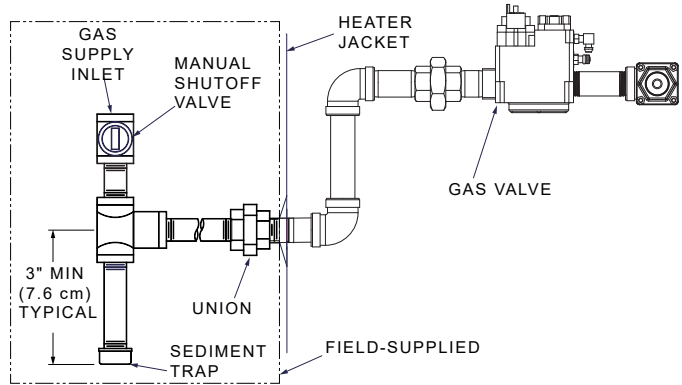


Figure 13. Gas Supply Plumbing

Gas piping must have a sediment trap ahead of the heater gas controls, and a manual shutoff valve located outside the heater jacket. All gas piping should be tested after installation in accordance with local codes.

⚠ CAUTION: The heater and its manual shutoff valve must be disconnected from the gas supply during any pressure testing of that system at test pressures in excess of 1/2 psi (3.45 kPa). Dissipate test pressure in the gas supply line before reconnecting the heater and its manual shutoff valve to gas supply line. **FAILURE TO FOLLOW THIS PROCEDURE MAY DAMAGE THE GAS VALVE. OVER-PRESSURIZED GAS VALVES ARE NOT COVERED BY WARRANTY.** The heater and its gas connections shall be leak-tested before placing the appliance in operation. Use soapy water for leak test. **DO NOT use open flame.**

Supply Pressure

⚠ CAUTION: Do not use Teflon tape on gas line pipe thread. Only sealant tape or a pipe compound rated for use with natural and propane gases is recommended. Apply sparingly only on male pipe ends, leaving the two end threads bare.

A minimum of 3.5 in. WC and a maximum of 10.5 in. WC upstream pressure under load and no-load conditions must be provided for natural gas. Required pressure for Propane Gas: Min = 8.0" WC (Dynamic), Max = 13" WC (Static).

Gas Pressure Regulator

The gas manifold pressure is preset to a negative -0.30" WC. If an adjustment is needed, remove the gas valve throttle seal and turn adjustment screw clockwise ↻ to increase pressure or counter-clockwise ↻ to decrease pressure. If available, the O₂ must be within 4.5 - 5.5% using a calibrated combustion analyzer.

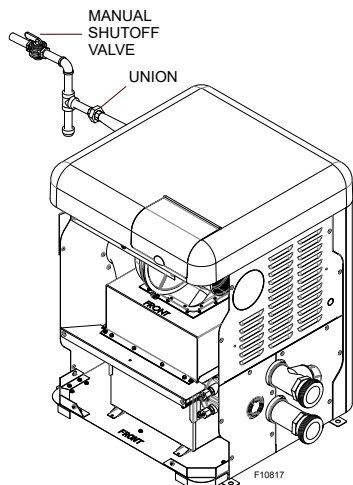


Figure 14. Manual Shutoff Valve Installation

Gas Pressure Adjustment Locations

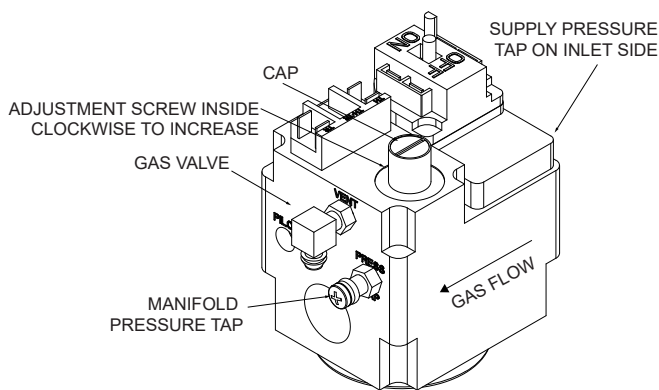


Figure 15. Gas Valve Adjustment

Pipe Sizing for Gas Connection

The capacities shown below are based on using SCH 40 black iron pipe. For capacities using other materials, consult local codes.

Maximum Equivalent Pipe Length ft. (m)								
Natural Gas 1000 BTU/FT ³ 0.60 Specific Gravity @ 0.5 in. WC Pressure Drop								
Propane Gas 2500 BTU/FT ³ 1.53 Specific Gravity @ 0.5 in WC Pressure Drop								
Model No.	Size 3/4"		Size 1"		Size 1-1/4"		Size 1-1/2"	
	NAT	PRO	NAT	PRO	NAT	PRO	NAT	PRO
264	15 (4.6)	35 (10.7)	50 (12.2)	125 (38.1)	210 (64.0)	480 (146.3)	445 (135.6)	
404	*	15 (4.6)	20 (8.8)	55 (16.8)	95 (29.0)	225 (68.6)	215 (65.5)	280 (85.3)

* A 3/4" gas line can be used for up to 5' (1.5 m) maximum length from the gas valve in addition to the sediment trap.

Table L. Gas Pipe Sizing

Gas Regulator Best Practices

From the gas pressure regulator, it is recommended to have no less than 10 pipe diameters of straight smooth pipe downstream of the regulator discharge and to have no less than 10 linear feet (not including fittings) between the regulator and the inlet to the appliance for proper operation.

Flow Rates

Model	Pipe Size in. (mm)	Min. GPM (lpm)	Max. GPM (lpm)
264/404	2 (50.8)	40 (151)	100 (379)

* When flow rates exceed maximum GPM an external auxiliary bypass valve is required. See External Bypass Valve Section on page 21 for details.

Table M. Min/Max Flow Rates

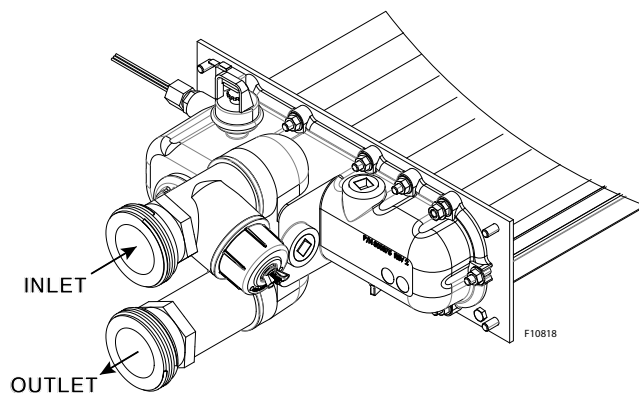


Figure 16. Water Flow

Flow GPM (lpm)	Pressure Drop Ft. of Head (m of Head)	
	MODEL 264	MODEL 404
40 (151)	7.2 (2.2)	13.4 (4.1)
50 (189)	10.0 (3.1)	16.5 (5.0)
60 (227)	12.6 (3.8)	19.5 (5.9)
70 (265)	17.0 (5.2)	23.7 (7.2)
80 (303)	24.0 (7.3)	28.3 (8.6)
90 (341)	30.3 (9.2)	33.2 (10.1)
100 (379)	36.0 (10.9)	37.0 (11.3)

Table N. Heat Exchanger Pressure Drops

NOTE: Table capacity is based on 2" Schedule 40 piping.

High-temperature CPVC header flanges and header flange nuts are provided. If there is any possibility of back-siphoning when the pump stops, it is highly recommended that a check valve (or valves) also be installed in the system. It is also recommended to have a downstream ball or gate valve to regulate heater flow and pressure.

Before attaching the 2-inch unions to the Inlet/Outlet header, make sure the O-rings are properly seated in the grooves. Use Aqualube or equivalent non-petroleum-based lubricant on the O-ring. **Hand tighten the unions.** Glue PVC piping directly to the unions.

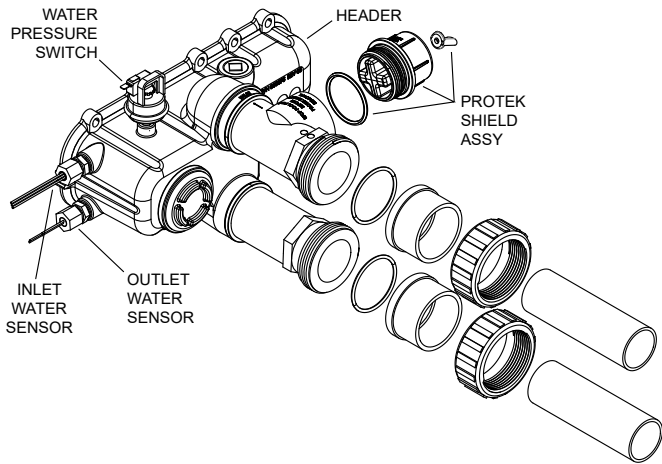


Figure 17. Inlet/Outlet Header

ProTek Shield Assembly

This heater is equipped with a ProTek Shield Assembly located horizontally on the right side of the Inlet water connection.

This component provides protection to the heat exchanger against galvanic corrosion, when properly bonded to the heat exchanger. It should be replaced when the weight of the ProTek Shield is reduced to about 40% of the original weight (1.46 lbs.).

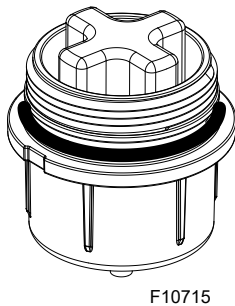


Figure 18. ProTek Shield Assembly

CAUTION: STOP the pool pump before attempting to remove ProTek Shield Assembly. Failure to do so may result in damage to ProTek Shield Assembly, loss of pool water, or personal injury.

CAUTION: Do not use tools to remove (twist) the ProTek Shield Assembly or the wing nut on the stud of the ProTek Shield Assembly. Non-warrantable damage may occur.

Follow the steps below to replace the ProTek Shield Assy:

1. Shut off the pool pump and bleed pressure from the system.
2. Close isolation valves to minimize pool/spa water loss.
3. Remove wing nut from bottom stud on ProTek Shield Assy.
4. Remove bonding wire ring terminal from stud.
5. Rotate ProTek Shield Assy **counter-clockwise** (by hand) to unscrew it from the assembly.
6. Inspect/replace as necessary and reverse above procedure to reinstall. **Hand tighten only!** Do not use tools.

NOTE: Make sure the O-ring is properly seated in the O-ring groove before installation.

Unitherm Governor Operation

CAUTION: The patented Unitherm Governor is a thermostatic mixing valve specifically designed to maintain constant heater internal temperature between 120°F (49°C) and 135°F (57°C) despite continually changing flow rates from the filter and changing pool temperatures. This range is needed to reduce the amount of condensation from the fin tubes which will occur if the heater runs for any length of time below 100°F (38°C) water from the pool. It is also needed to inhibit scale formation in the tubes by maintaining temperatures well below accelerated scaling temperatures.

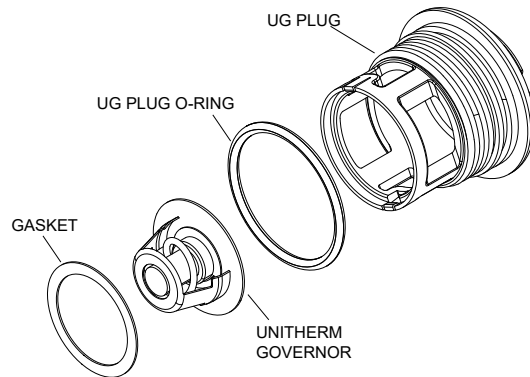


Figure 19. Unitherm Governor

Internal Automatic Bypass Valve

In addition to the Unitherm Governor, a built-in automatic bypass valve is provided in the Inlet/Outlet header. While the Unitherm Governor responds to the changes in water temperature in the heater, the internal bypass valve automatically responds to changes in water pressure in the piping system. Proper amount of water flow is maintained through the heater under varying pressures dictated by the conditions of the pump and filter.

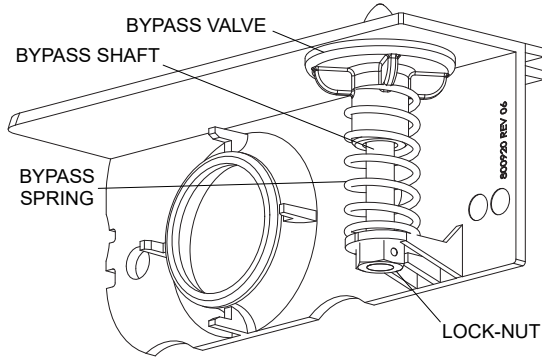
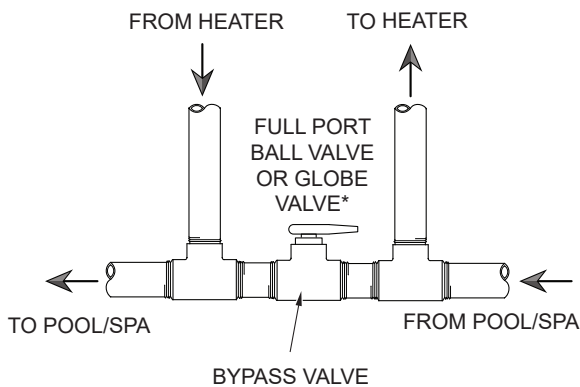


Figure 20. Internal Automatic Bypass Valve

External Auxiliary Bypass Valve

Where Required - An auxiliary bypass valve should be used when flow rates exceed 100 GPM (379 lpm). Usually a high-performance pump size larger than two horsepower will exceed this flow rate. This valve is required to complement the function of the automatic bypass valve, particularly when starting the heater in winter or early spring when the spa or pool temperature is below 50°F (10°C). It also serves to eliminate needless pressure drop through the heater and accompanying reduction in the flow rate to the spa jets.



***NOTE:** Do not use a gate valve.

Figure 21. Auxiliary Bypass Valve

Auxiliary Bypass Valve Adjustment

To set bypass - With clean filter, adjustment is made by feeling the inlet and outlet pipes at the heater. Outlet pipes should be slightly warmer than inlet and comfortable to the touch. If pipe is hot, close bypass; if cold, open bypass.

Pressure Relief Valve Installation

A 3/4" NPT connection is provided in the header for installation of a pressure relief valve (PRV). The valve shall be installed in a vertical position. The PRV can leak overtime and may not operate correctly if installed in a different orientation. Do not over-tighten. Install pressure relief valve hand-tight, plus a 1/2 turn. Use Raypak PRV kit (018936F) and **Figure 23** below to properly plumb the PRV.

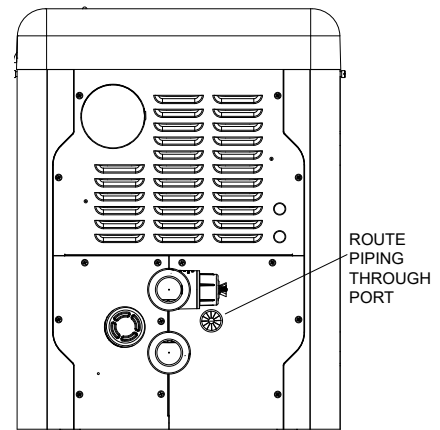


Figure 22. PRV Location

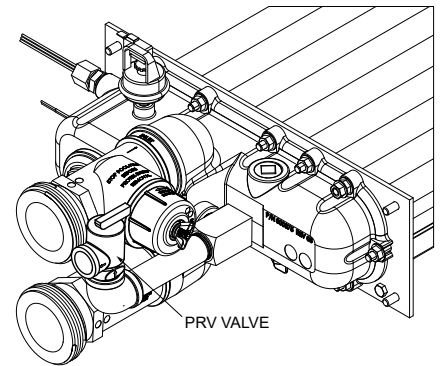


Figure 23. PRV Installed

NOTE: To avoid water damage or scalding due to valve operation, drain pipe must be connected to the outlet of the PRV and run to a safe place of discharge. Drain pipe must be the same size as the valve discharge connection throughout its entire length and must pitch downward from the valve. No shutoff valve shall be installed between the relief valve and the drain line. Valve lever should be tripped at least once a year to ensure that waterways are clear.

The heater requires water flow and positive pressure to fire and operate properly. It must therefore be installed downstream of the discharge side of the filter pump. See **Figure 24** and **Figure 25**.

A typical installation is plumbed as follows:

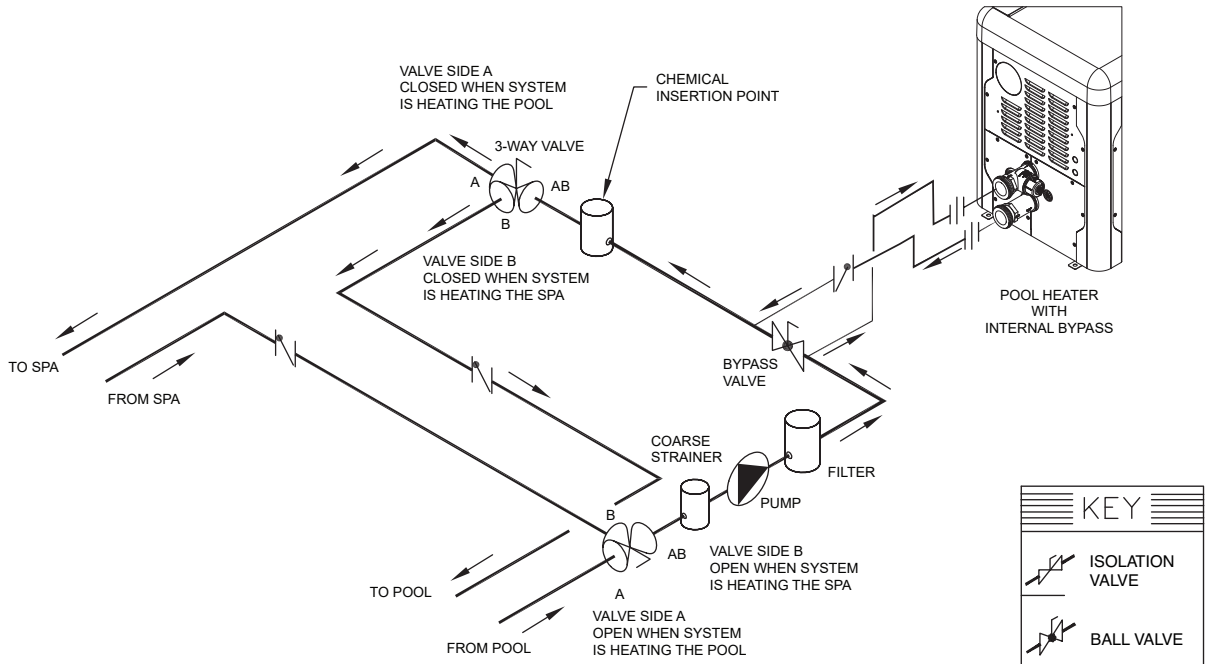
1. The inlet side of the filter is plumbed directly to the discharge side of the filter pump;
2. The outlet side of the filter is then plumbed to the inlet of the heater; and
3. The outlet of the heater is plumbed to the return line to the pool or spa. The pump, filter and heater are thus plumbed in series (Salt generators and chemical feeders must be downstream of the pool heater).

⚠ CAUTION: An additional source of heated water, e.g. a solar heating system, must be connected to the main line ahead of the heater inlet pipe in order for it to act as the primary heat source. If the primary system provides adequate heat to maintain setpoint, the heater will not fire. Be advised that the control panel will then display sensed water temperatures downstream of the primary heating system, rather than the temperature of the water exiting the pool.

Heater must be located so that any water leaks will not damage the structure of adjacent area. CPVC or PVC pipe may be glued directly into the half-unions provided.

Plumbing Diagrams

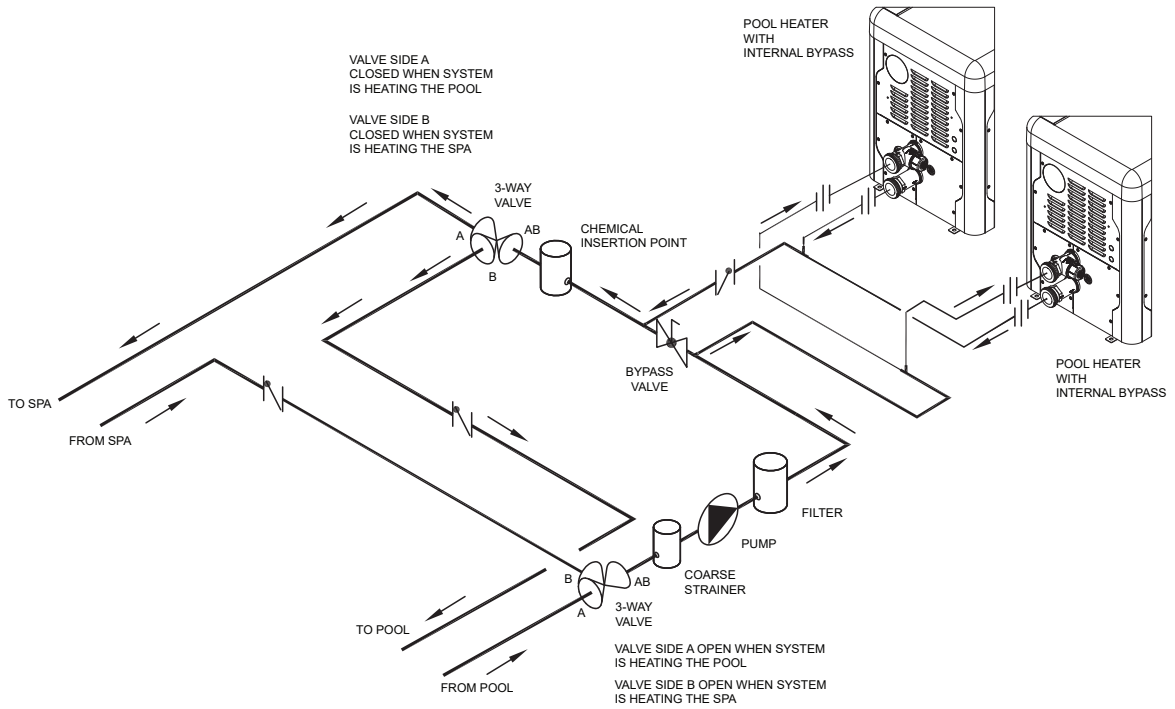
Water Connections



THIS DIAGRAM IS A RECOMMENDATION AND IS NOT INTENDED TO REPLACE AN ENGINEERED PIPING SYSTEM BY A PROFESSIONAL ENGINEER

Figure 24. Single Pool Heater Installation

KEY	
	ISOLATION VALVE
	BALL VALVE
	PRESSURE RELIEF VALVE
	PUMP
	UNION
	CHECK VALVE



THIS DIAGRAM IS A RECOMMENDATION AND IS NOT INTENDED TO REPLACE AN ENGINEERED PIPING SYSTEM BY A PROFESSIONAL ENGINEER

Figure 25. Multiple Pool Heater Installation

Water/Flue Connection Reversal

The heater is designed so that the control panel along with the top can rotate in 90-degree increments to face the user.

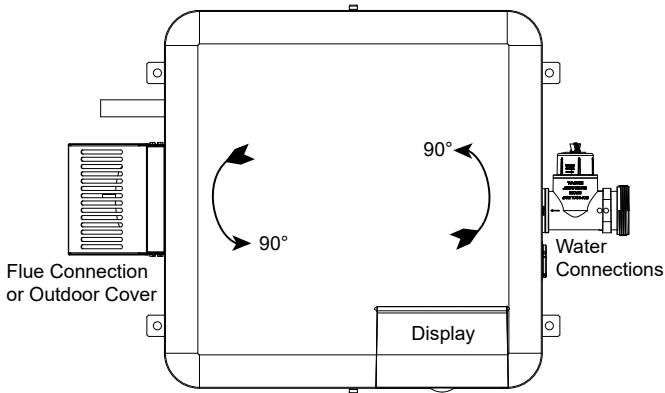


Figure 26. Connection Reversal

To rotate the top, remove the (2) knurled screws holding the jacket top to the heater as shown below. Rotate the top to the desired position and reinstall the knurled screws to retain the jacket top. See **Figure 34** on page 27.

NOTE: To prevent wire harness damage, ensure harnesses are out of the way when handling the top cover.

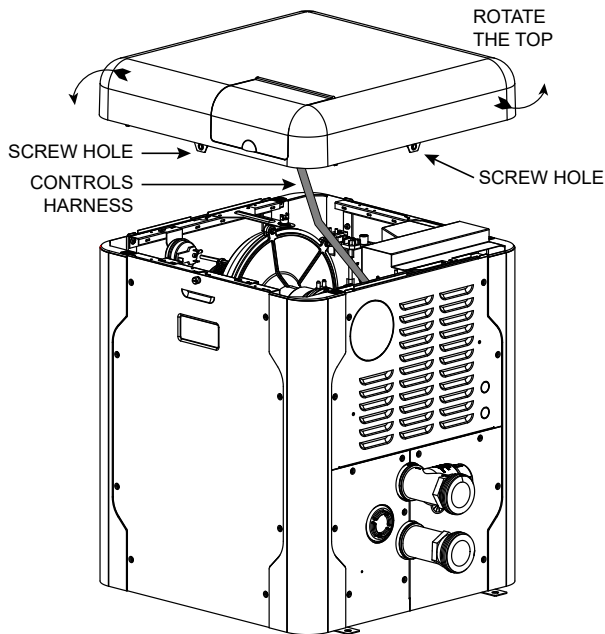


Figure 27. Rotate Jacket Top

5. ELECTRICAL WIRING

NOTE: If it is necessary to replace any of the original wiring, use 150°C wire or its equivalent.

⚠ WARNING: The heaters are factory-wired for 240 VAC, 1Ph, 60Hz power supply. DO NOT attempt to operate at 208 VAC or below.

NOTE: Holes not utilized on jacket and electric junction box, can be used for remote mode selector, Protégé VS pump wiring, or auxiliary control interface.

Electrical Power Draw

⚠ CAUTION: A bonding lug is located below the junction box. Failure to ground the heater electrically could affect the heater's electronics. A Bonding Wire must be installed as per NEC requirements to safeguard persons and property.

NOTE: See "Time Clock/Fireman's Switch" on page 38 for further instructions if using a time clock/fireman's switch.

The Electronic Ignition Device automatically lights the burner upon a call-for-heat. The heater is supplied with a dual-voltage transformer for 120 VAC or 240 VAC input power hookup. Factory default configuration is 240 VAC. When using 120VAC, wire the transformer per **Figure 29** and change the blower jumper per **Figure 30**.

When operating on 120 VAC power, units draw approximately 1.6 amps. When operating on 240 VAC power, units draw approximately 1.2 amps.

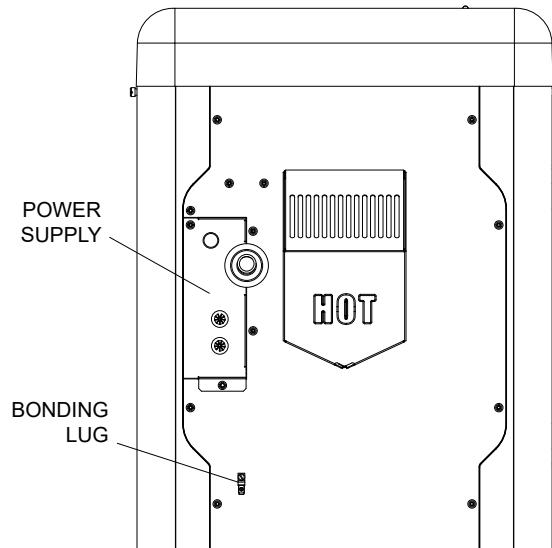


Figure 28. Heater Wiring Locations

Transformer Wiring

CAUTION: If the transformer's primary side is wired for 120 VAC and 240 VAC is applied, damage to the transformer and PC board may result. Such damages are not covered under manufacturer's limited warranty.

120 VAC Wiring

For 120 VAC input power to the unit, connect the field-supplied black wire (L1) to the (2) black wires from the heater. Connect the white and red/white wires to the "N" or Neutral leg of the power supply. **There should be no connection to the red wire for 120 VAC operation.** Attach a wire nut to the red wire.

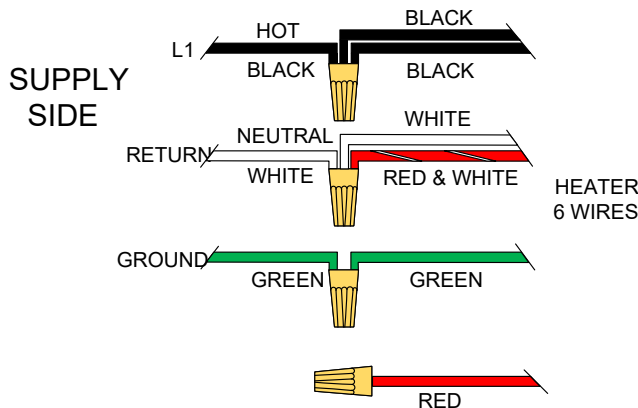


Figure 29. 120 VAC Wire Connection

CAUTION: The heater is pre-wired with a 240V connector to the blower. If the supply voltage is 120V, replace the connector with the supplied 120V (red connector). Using the wrong corresponding connector will cause electrical damage.

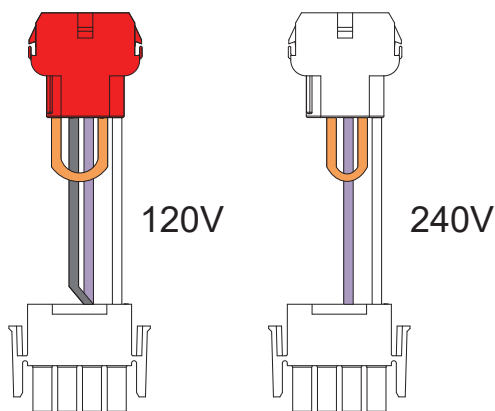


Figure 30. Blower Jumpers

240 VAC Wiring

For 240 VAC input power to the unit, connect the black wires to the L1 or hot leg of the power supply. Connect the red and red/white wires to the "L2" or second hot leg of the power supply. **There should be no connection to the white wire for 240 VAC operation.** Attach a wire nut to the white wire.

⚠ WARNING: DO NOT attempt to operate the heater at 208 VAC.

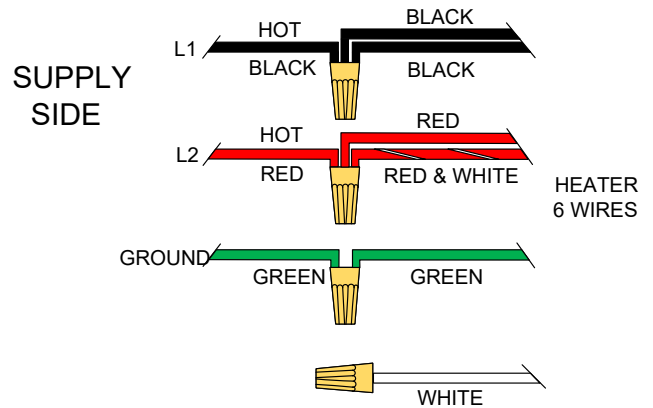


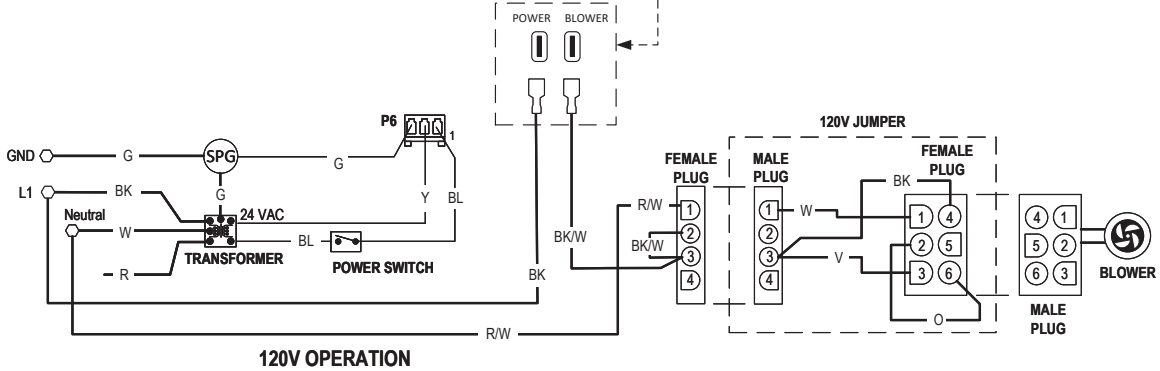
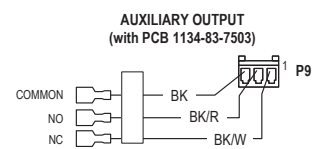
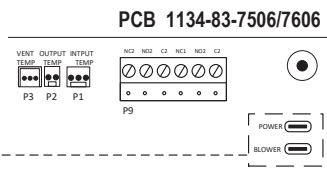
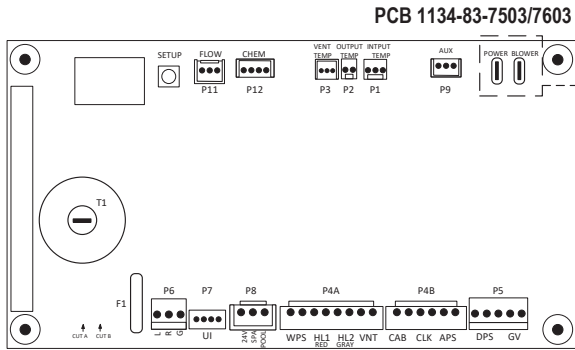
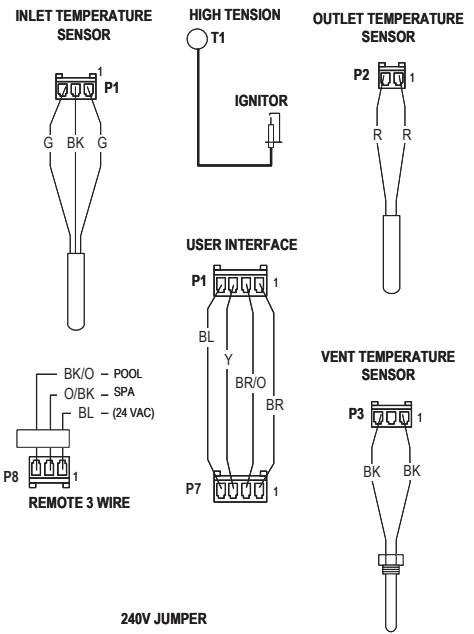
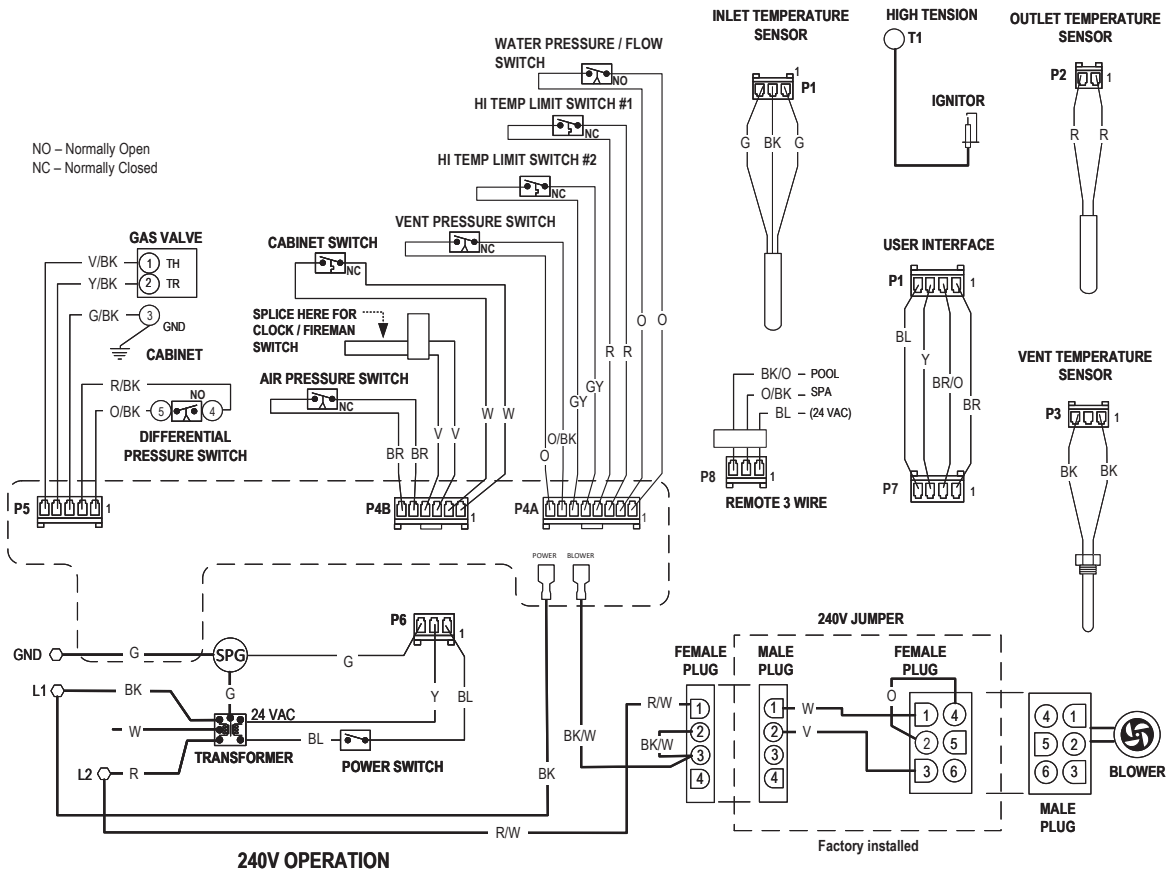
Figure 31. 240 VAC Wire Connection

The heater must be electrically grounded and bonded in accordance with local codes, or, in the absence of local codes, with the latest edition of the National Electrical Code, ANSI/NFPA 70. (Canada - Canadian Electrical Code, CSA C22.1, Part 1 and Part 2.)

NOTE: Input power to the heater (120 or 240 VAC) can be supplied from the load (pump) side of time clock or directly from the GFCI power source. It is preferred that full-time power be supplied to the heater from the GFCI power source, and that the heater be controlled by the fireman's switch connection or using a two or three-wire remote. If using a switched GFCI power source, the heater could display false service indicators on the display panel if the pump is turned off.

6. CONTROLS WIRING DIAGRAM 240V AND 120V OPERATION

NO – Normally Open
NC – Normally Closed



7. CONTROLS

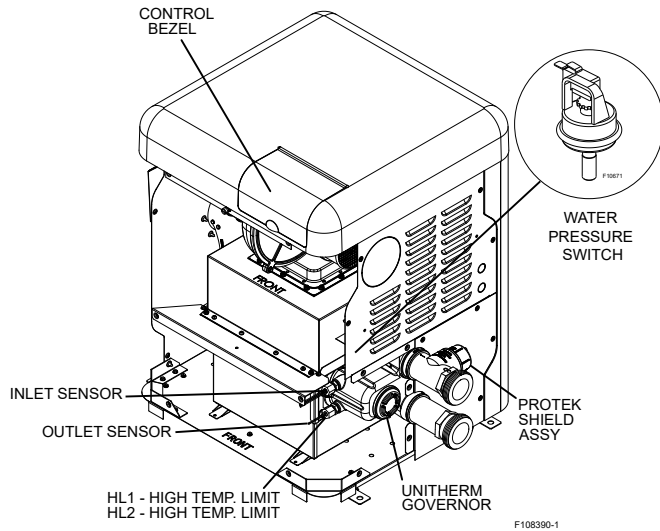


Figure 32. Location of Controls (View One)

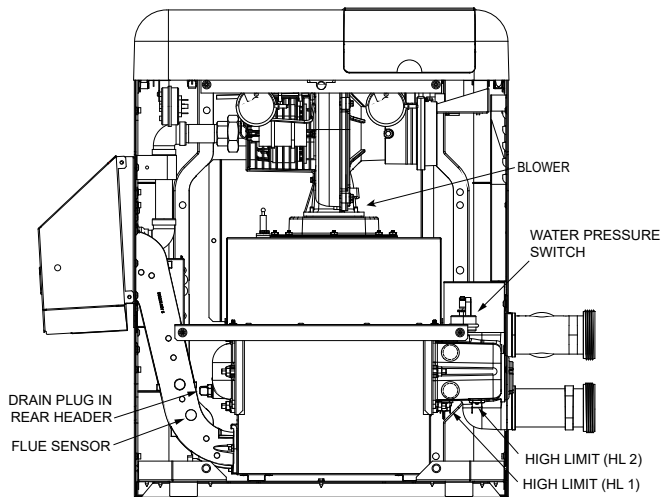


Figure 33. Location of Controls (View Two)

Heater Top Removal

1. Remove the knurled screws from front and rear door. See **Figure 34**.
2. Lift top cover to detach from unit. Leave display harness connected to ignition board.

NOTE: To prevent wire harness damage, ensure harnesses are out of the way when handling the top cover.

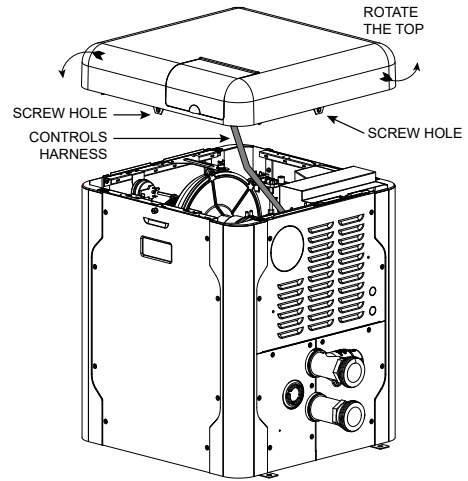


Figure 34. Heater Top Removal

Control Adjustments

The pool heater touchpad, located on the upper front panel of the heater, allows the user to select either POOL or SPA operation, and to adjust the setpoint temperature. The LCD display window indicates the mode (OFF, SPA, POOL) and the actual water temperature. A manual power switch provided below the touchpad turns the control power ON or OFF. The LCD shows the control boards firmware versions momentarily at power on. See **Figure 35**.

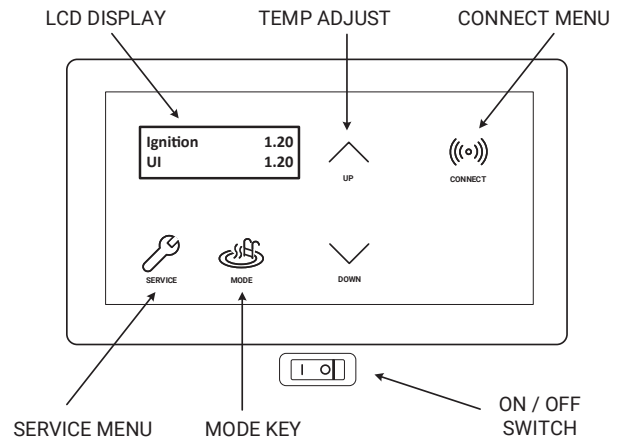


Figure 35. Control Adjustments

Mode Key

The Mode Key is used to select POOL or SPA operation. It also allows the user to select the OFF mode of operation, during which the LCD, while displaying OFF, continues to show the water temperature.

UP and DOWN Keys

If the heater is in POOL or SPA mode, the desired water temperature (SETPOINT) will be displayed and may be adjusted using the UP or DOWN keys.

Operation

In the POOL or SPA modes, the actual water temperature is displayed along with the desired water temperature (SETPOINT). When the water temperature is above the setpoint, "Water Temp" will alternate with "No Demand." When the water temperature is below the setpoint and the heater is firing, "Water Temp" will alternate with "Heating."

To adjust the setpoint temperature, make sure the control is in the appropriate mode (POOL or SPA) and touch the UP or DOWN keys.

By default, the setpoint range is 50-104°F (10-40°C). See "Program Menu" on page 31 to adjust the MAX setting, if necessary.

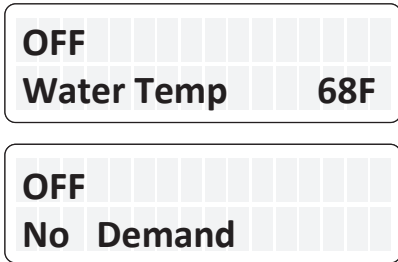


Figure 36. Alternating Display During Heating

Service Menus

To access the Service Menu and fault history, press the SERVICE key 1 time. The heater will continue to operate while in the Service Menu.

The first screen displayed is the Flame Strength indicator, which indicates the flame current using a numerical display. A signal of less than 1.0 µA indicates a weak flame signal and may require service. Refer to "Troubleshooting" on page 48 for possible causes and corrections.



Figure 37. Flame Strength Indicator

Press the DOWN key. The Supply Voltage screen indicates the voltage supplied to the control board. Normal readings range from 24 to 30 volts.

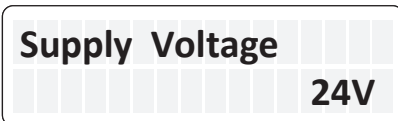


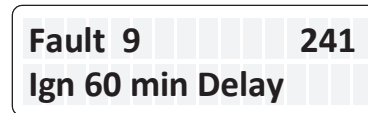
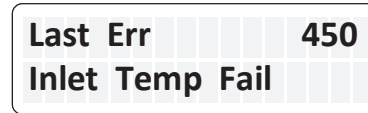
Figure 38. Supply Voltage Indicator

Press the DOWN key. The "Hours" run time indicates the total hours of operation for the pool heater, as measured by the amount of time that the gas valve has been powered. The "Cycles" count indicates the number of on/off cycles of the heater, as measured by the number of times the valve has been powered.



Figure 39. Run Time/Cycles


Press the DOWN key. The Fault History displays up to ten faults in memory. The order of the faults begins with "Last Err" which is the most recent fault, and proceeds through the ten most recent messages in reverse chronological order. Run time hours at the moment of the fault are displayed at the end of line one. The second line of the display shows the fault message. If there are no faults in the history buffer, the second line reads "All Faults Clear."



or



Figure 40. Fault History Indicator

Press the Service  key again. The advance service menu is accessed.

Inlet and Outlet Temperature

The Inlet / Outlet Temperature screen indicates the water temperature sensed in the inlet and at the outlet of the heat exchanger.



Figure 41. Inlet and Heat Exchanger Outlet Temperature

NOTE: Outlet temperature sensor is located before the bypass valve. Outlet temperature readings do not represent the pool system outlet temperature.

Vent Temperature

Press the DOWN key. The Vent Temperature screen indicates the temperature sensed in the vent.

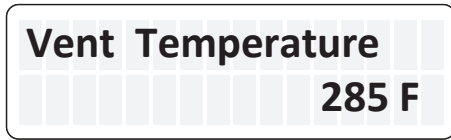


Figure 42. Vent Temperature

NOTE: If the sensed flue temp exceeds 390°F (199°C), the heater will shut down on a vent temperature fault. If the sensed flue temp is less than 175°F (79°C), the unit may condense.

Flow Monitoring

Press the DOWN key. By default, the Flow Monitoring screen indicates the estimated flow when unit is heating.

When optional flow sensor is installed, this screen can be configured to display flow sensor readings. See page 32 to configure the Flow Sensor input.

NOTE: Ideal water flow rate for a heater is 40 GPM or higher.

The HX Flow Estimate only considers water flow through the heat exchanger. Ideal flows through the heat exchanger are:

- 264 BTU unit is 7 to 14 GPM
- 399 BTU unit is 10 to 19 GPM

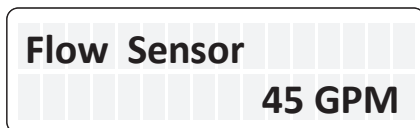


Figure 43. Flow Monitoring

Estimated Volume and Heat Time

Press the DOWN key. The Pool Volume and Heat Time screen indicates the estimated pool volume in gallons and heat-up time in minutes.

Press the DOWN key again. The Spa Volume and Heat Time screen indicates the estimated Spa volume in gallons and heat-up time in minutes.

Any volume equal or below 3000 gallons is considered a Spa, while any estimated volume above 3000 gallons is estimated as Pool.



Figure 44. Estimated Volume and Heat Time

NOTE: Volume and heat time estimations are based on single heater supplying a body of water of constant volume. Multiple heaters, combined heat sources or interconnection of multiple body of waters may cause wrong calculations.

Protégé Pump Status

Press the DOWN key. When a Protège variable speed pump is connected to the heater and communication is enabled, the Pump Status screen indicates current pump configuration.

By default, Pump Control is disabled. See page 32 to select and configure Pump Control.

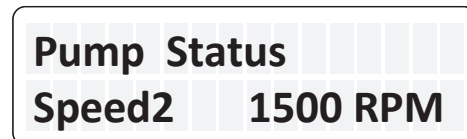


Figure 45. Pump Status

Auxiliary Output

Press the DOWN button. The Auxiliary Output screen indicates current status of the auxiliary relay output.

For operation verification of the auxiliary relay, press SERVICE and MODE keys simultaneously for 3-seconds to toggle output state between ON and OFF.

AUX output works as a "switch" that can be turned On/Off with Raymote app online scheduler.

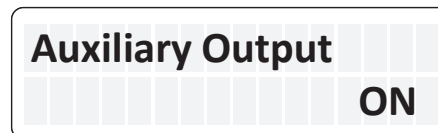
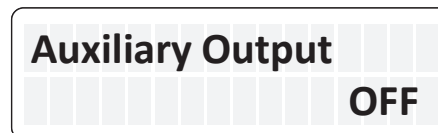
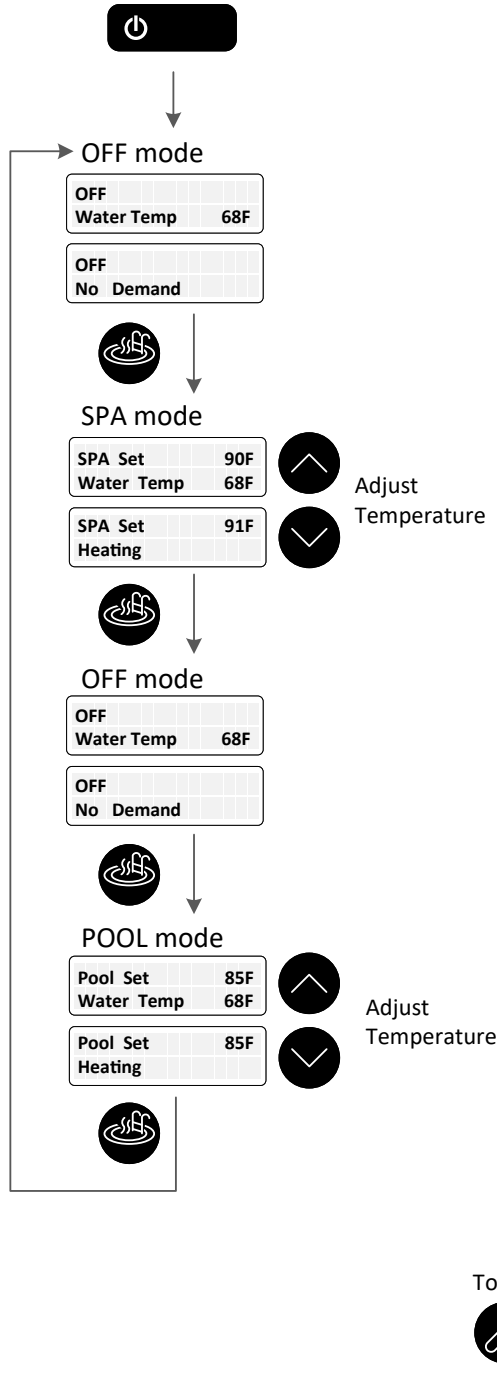
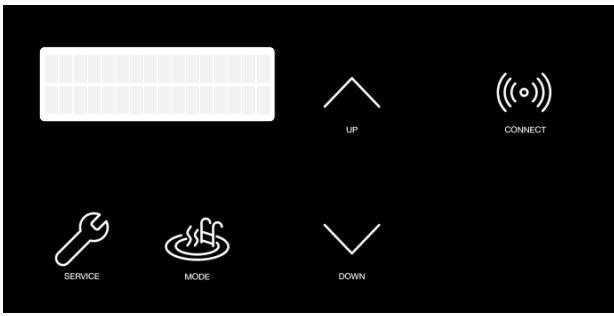


Figure 46. Auxiliary Relay Output

NOTE: Auxiliary output (port P9) is a dry contact output: It requires external power supply to energize connected devices. Do not connect directly to an application that requires more than 3 Amps. For more details see Section 13, Auxiliary Control Output on page 81.



☆ Available in some configurations and kits

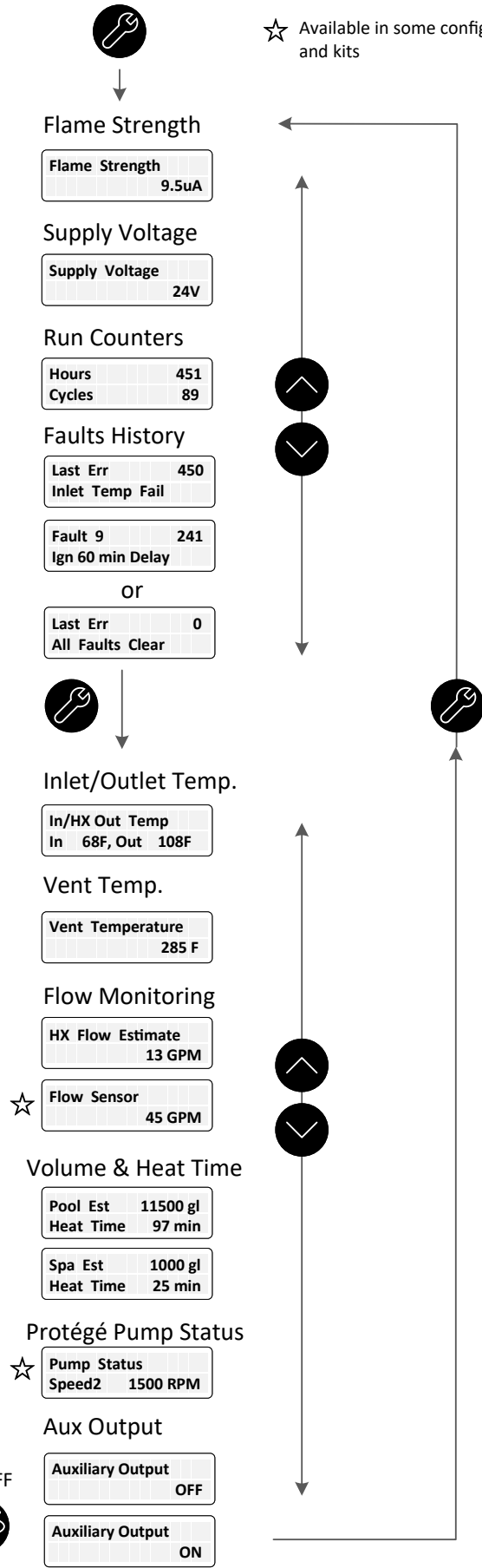


Figure 47. Operation and Service Screens

Program Menu

To access PROGRAM menu, press and hold SERVICE and MODE keys simultaneously for 5 to 7-seconds until "Language" appears on the display.

NOTE: Changes to default program configurations could affect normal functionality of the heater.

Press the SERVICE key sequentially until the desired program event is reached. By default, there are 12 different settings that can be programmed. Additional configurations for other add-ons are displayed when enabled. **Figure 48** lists the default menus.

Language English	Lenguaje Español	Langue Français
Set Defaults	Defaults Set	
Reset Faults	Faults Cleared	
Temp Display Fahrenheit	Temp Display Celsius	
Spa Max Temp 50 F	Spa Max Temp 107 F	
Pool Max Temp 50 F	Pool Max Temp 107 F	
WiFi Reset	WiFi Initialized	
Automation Mode Enabled	Automation Mode Disabled	
Flow Monitoring Estimation	Flow Monitoring Flow Sensor	
Altitude Normal 0 to 4500 ft	Altitude High Above 4500 ft	
Pump Control Disabled	Pump Control Enabled	
Water Chemistry Disabled	Water Chemistry Enabled	

Figure 48. Programmable Settings

Language Selection

Initial display in PROGRAM Menus is "Language" selection.

The UP and DOWN keys will select English, Spanish or French language for all menus and Display messages.

Set Factory Defaults

Press the SERVICE key again. "Set Defaults" option is displayed. To set factory defaults, press and hold SERVICE and MODE keys simultaneously for 3 to 5-seconds until "Defaults Set" appears.

This operation resets the operating program to its factory default values.

Both the POOL and SPA setpoints will revert to 65°F (18°C) and both POOL and SPA maximum temperature settings will be 104°F (40°C). Language is set to English, temperature display is set to Fahrenheit, Automation Mode is enabled, Altitude to Normal, Flow monitoring is set to Estimate, Protège Pump Control and other add-ons are disabled. The Control Lockout PIN will be cleared and the control will resume normal operation. See "Control Lockout" section on page 34.

Reset Faults

Press the SERVICE key again. "Clear Faults" appears on the digital display. To clear fault history press and hold SERVICE and MODE keys simultaneously for 3 to 5 seconds until "Faults Cleared" appears.

Temperature Display

Press the SERVICE key again. "Temp Display" appears on the digital display. The UP or DOWN keys will select Fahrenheit or Celsius on the temperature display. Choose the desired temperature scale.

Spa Setpoint Maximum Adjustment

Press the SERVICE key until "Spa Max. Temp" appears on the digital display. Using the UP and DOWN keys will change the Maximum Temperature Setting to your desired value. The control can be set for a maximum of 107°F (42°C).

Pool Setpoint Maximum Adjustment

Press the SERVICE key until "Pool Max. Temp" appears on the digital display. Using the UP and DOWN keys will change the Maximum Temperature Setting to your desired value. The control can be set for a maximum of 107°F (42°C).

WARNING: Ensure to properly setup pool and spa maximum setpoint limits. Setpoint should never exceed above 107° F (42°C).

Wi-Fi Reset

Press the SERVICE key again. "Wi-Fi Reset" appears on the digital display. To clear stored Wi-Fi signal name and password, press and hold SERVICE and MODE keys simultaneously for 3 to 5-seconds until "Wi-Fi Initialized" appears.

This operation resets the Wi-Fi credentials, leaving the unit ready to configure connection with the Raymote app. For details on how to connect your pool heater to Raymote, follow the instructions on page 51.

Automation Mode

Press the SERVICE key until "Automation Mode" appears on the digital display. The UP or DOWN keys will select Enabled or Disabled Automation mode functionality.

When Automation is disabled, Raymote online-scheduled routines are ignored.

By default, Automation Mode is enabled. For details on how to configure scheduling and automation with Raymote, refer to page 63.

Flow Monitoring

Press the SERVICE key until "Flow Monitoring" appears on the digital display. The UP or DOWN keys will select "Estimation" or "Flow Sensor" on the Flow Monitoring function.

By default, Flow Monitoring is set to "Estimated". This function estimates the flow through the heat exchanger when unit is in "Heating" status.

Flow Sensor input port (P11) is compatible with an optional 5 VDC hall-effect Flow Sensor. When Flow Sensor option is enabled, the flow sensor input (P11) translates a pulse count of 1 Hz to 1 GPM. To calibrate, set a gain using the Flow Sensor Gain sub-menu.



Figure 49. Submenu – Flow Sensor Gain

Protégé Pump Control

Press the SERVICE key until "Pump Control" appears on the digital display. The UP or DOWN keys will select "Enabled" or "Disabled". By default, Pump Control option is Disabled.

Pump Control is compatible with Raypak Protégé VSP and EVP variable speed pumps.

When "Pump Control" is enabled, the speed configuration sub-menus are displayed. Use these sub-menus to set up the 4-speed pump settings.

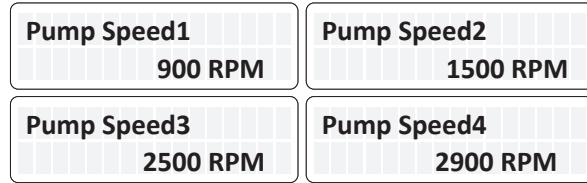


Figure 50. Submenu – Pump Speeds

Water Chemistry

Press the SERVICE key until "Water Chemistry" appears on the digital display. The UP or DOWN keys will select "Enabled" or "Disabled". By default, Water Chemistry is "Disabled".

These features are compatible with the Raypak Water Chemistry kit.

Auxiliary Mode

NOTE: This option is available only for units equipped with 2 Auxiliary relays (PCB 1134-83-7506/7606).

Press the SERVICE key until "Auxiliary 1 Mode" or "Auxiliary 2 Mode" appears on the digital display. The UP or DOWN keys will select the operation mode of the Auxiliary relays. The default mode is "Raymote/Manual" for Auxiliary 1 and 2.

Use UP or Down key to change operation mode selection. These are the operation modes available for the Auxiliary outputs:

-Raymote/Manual: The Auxiliary output can be commanded from Raymote or from the LCD Service menu.

-Spa mode: The Auxiliary turns ON while the heater is in Spa mode.

-Pool mode: The Auxiliary turns ON while the heater is in Pool mode.

-Pool/Spa mode: The Auxiliary turns ON while the heater is in Pool or Spa mode.

-Blower mode: The Auxiliary turns ON while Blower is On.

-Heat mode: The Auxiliary turns ON while heater is in Heat status mode.



Figure 51. Auxiliary Modes - 2-Aux Boards only

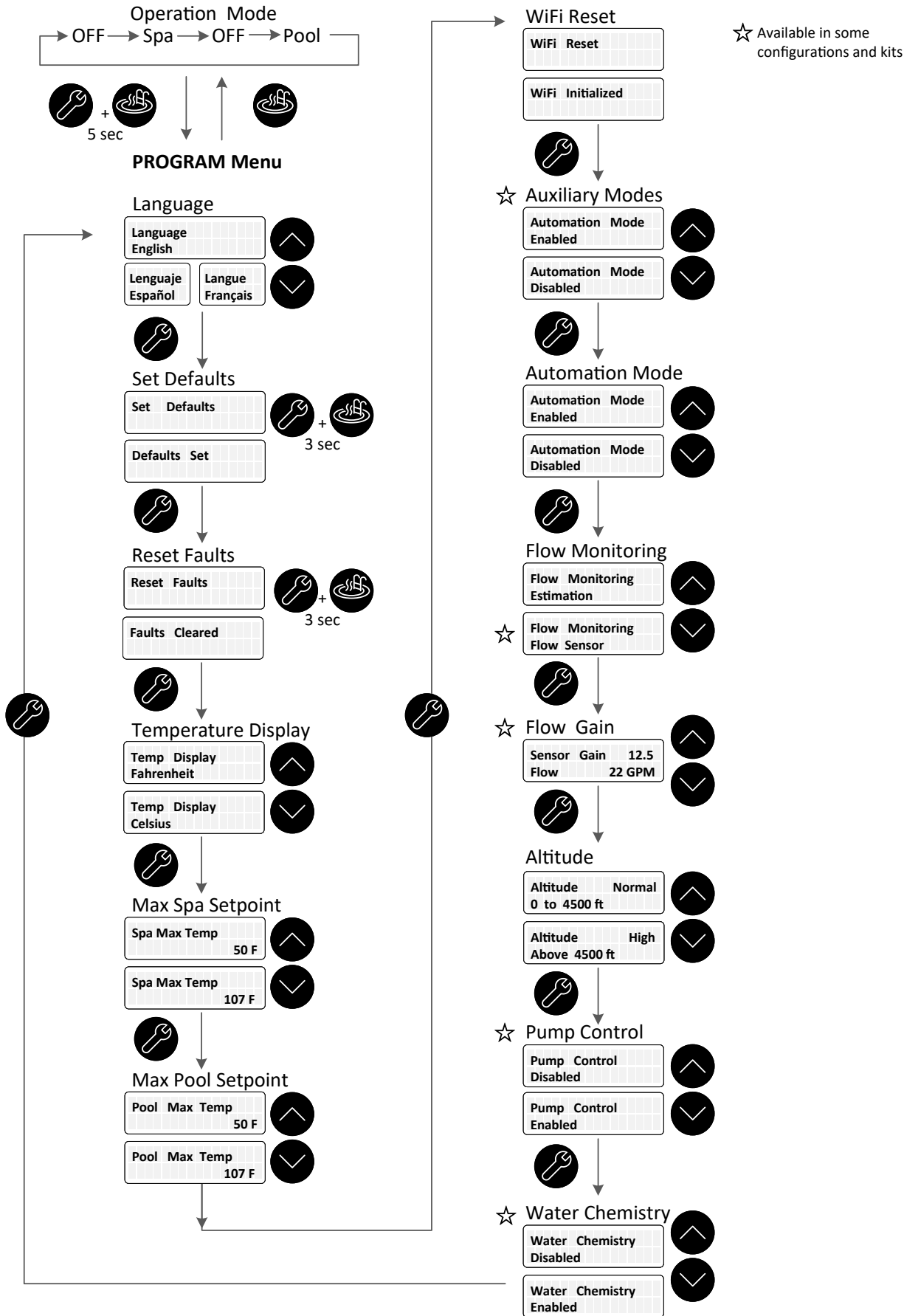


Figure 52. Program Menu Screens

Control Lockout

The heater is equipped with a Control Lockout feature to prevent unauthorized tampering or adjustment of the control settings. To lock out the controls, press the MODE and DOWN keys simultaneously for 5-seconds. Choose a three-digit PIN, using the UP and DOWN keys to select the digits and the MODE key to lock in selections. Confirm your selection and record your PIN.

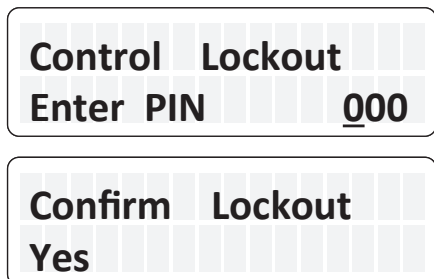


Figure 53. Control Lockout

To unlock the controls, press MODE, UP or DOWN key to bring up the ENTER PIN menu. Enter the PIN that was used to lock the control. Note that power cycling will not clear the lockout. Successfully unlocking the control will display "LOCKBOX CLEARED". Failure to enter the correct PIN will display "INVALID PIN".

In the event that the user-selected PIN is lost or does not clear the Control Lockout, use the Program Menu to SET FACTORY DEFAULTS. This will clear the PIN and allow normal operation and selection of a new PIN if desired. See the "Program Menu" section on page 31 for details.

NOTE: By setting FACTORY DEFAULTS, both the POOL and SPA setpoints will revert back to 65°F (18°C) and the POOL and SPA maximum temperature settings will be 104°F (40°C). These setpoints will need to be readjusted to desired settings. Other default configurations are also applied.

Status and Diagnostics

The LCD displays a variety of status and diagnostic messages, depending on the operating conditions.

The following status messages are displayed in Pool, Spa, and Remote modes when there are no active fault conditions.

Display	Condition
No Demand	Water temperature is equal or above setpoint.
Verifying Water	2-min wait for water pressure/flow
Pre-Purge	Call-for-heat established.
Spark	Spark operating.
Heating	Flame present. Unit is heating.
Post-Purge	Heating is terminated. Unit cool down.

Table O. Heater Status Messages

The following conditions are displayed in Pool, Spa and Remote modes when there are active fault conditions.

Display	Condition
No Communication With Ignition	Unable to communicate User Interface with Ignition board. Check P7 and harness wires.
In Sensor Fault	Water Inlet thermistor temperatures disagree by more than 3°F (1.5°C).
In Sensor Open	Water Inlet thermistor sensor failed open. Below 6°F (-14°C).
In Sensor Short	Water Inlet thermistor sensor failed short. Above 188°F (86.5°C).
Out Sensor Open	Water Outlet thermistor sensor failed open. Below 6°F (-14°C).
Out Sensor Short	Water Outlet thermistor sensor failed short. Above 188°F (86.5°C).
Flue Sensor Open	Flue temp sensor failed open. Above 464° F (240°C).
Flue Sensor Shrt	Flue temp sensor failed short. Below 7.5°F (-13.5°C).
Flow Sensor Fail	When equipped, Flow sensor readings are out of range (0 to 100 GPM).
Flame w/o CFH	Board is sensing flame when gas valve is commanded shut.
Gas Valve Fault	Gas valve is sensed to be ON when commanded OFF. 60-min. soft lockout.
Pump Ctl Fail	When equipped, Protégé Pump Control is enabled but not responding to commands.
WChem Brd Fail	When equipped, Chemistry board is enabled but not responding to commands.
Diff Sw Closed	Control is sensing Differential pressure switch closed when Fan is not commanded.
Diff Sw Open	Fan is commanded for 10-seconds without differential switch closing.
Internal Fault or EEPROM Fault	Memory fault. Reset setpoints or replace board if fault does not clear.
Clock/Fireman Sw	Time clock/fireman switch circuit is open.
Low Temp Lockout	Water temperature is below 36°F (2°C).
Low Voltage	Controller is receiving supply voltage below 23 VAC.
Sensor Misplaced	Check inlet and outlet sensor installation.

Table P. Heater Status Messages - Active Faults

The following conditions are displayed only while there is a demand for heat present.

Display	Condition
Flame Lost	Flame was not detected when heating.
Water Sw Open	Water pressure switch open.
Vent Sw Open	Vent air switch open. Check for vent obstructions.
Hi Limit 1 Fault	High-Temp. limit 1 open. Press MODE key to remove lockout. Check water flow.
Hi Limit 2 Fault	High-Temp. limit 2 open. Press MODE key to remove lockout. Check water flow.
Cabinet Temp Lm	Cabinet Temp. limit open.
Air SW Open	Air pressure switch open. Check air inlet obstruction.
Fan Lockout	3 air switch faults within same heat demand cycle. Power must be cycled to clear the fault.
Diff Sw Fault	Differential Pressure switch failed open. Check fan operation and main power supply.
Ign Try Failure	Unit failed to ignite on first or second try. Check gas supply.
Ign 60 min Delay	Gas valve failed 3 times in single call-for-heat. Unit is locked out for 60-min.
Ignition Lockout	When available, Single-try ignition failed and Lockout. Power must be cycled to clear the fault.
Flue Over Temp	Flue temperature was higher than 390°F (199°C). Power must be cycled to clear the fault.
Remote Wire Err	While Remote mode is active, both Spa and Pool inputs are energized.
Outlet Over Temp	Outlet Temp was higher than 180°F (82.0°C). Check water flow.
Low Flow Fault	Low flow conditions are detected in the heater. Possible scaling.
High Flow Fault	High flow conditions are detected in the heater. Possible condensation.
Flue Low Temp	Flue temperature is below 175°F (79.5°C). Warning: Possible condensation.
Flue Extreme Low	Flue temperature is below 140°F (60 °C). Service required. Press MODE to remove lockout.
Call Service	Fan Lockout, Ignition Lockout or Flue Extreme Low Temperature occurred 3-times in 48-hours. Contact Service support.

Table Q. Heater Status Messages - Demand for Heat

See Troubleshooting guides on pages 49 and 50 for diagnosis.

⚠ WARNING The ability to properly perform service on this equipment requires certain expertise, mechanical skills, tools, and equipment. If you do not possess these, do not attempt to perform any service on this equipment other than those procedures recommended in this Manual.

Remote Mode Selector - Installation and Operation

⚠ CAUTION: Before installing remote controls to the heaters, read the following: The Heater is remote-ready. The digital display shows the actual pool temperature, operating status, and service messages. See Figure 54. The touch keys on the control panel allows you to select the desired pool or spa temperature. It also indicates when a remote system is controlling the heater by displaying Remote in the display. When connecting the heater to a remote system, identify whether it is a two- or three-wire remote system. Select the appropriate instruction listed below to properly install the remote to the heater.

Remote Mode Selector

The heaters are equipped with the ability to work with external remote controls and automation systems. The supplied 3-pin remote wiring connector supplies power out to either a toggle switch or the switch contacts of a third-party remote. The remote works by either making or breaking the circuit created by the remote wiring. Typically, a remote does not supply power to the heater, it only provides a switching function to turn the heater On or Off. If your remote is supplying its own voltage to the heater, it will not work with this heater and may damage the digital circuit board.

For operation of the heater using the on-board thermostatic controls with a time clock see **"Time Clock/Fireman's Switch"** section on page 38.

REMOTE MODE ENABLED

Remote OFF Water Temp 68F	Remote OFF No Demand
Remote SPA 90F Water Temp 68F	Remote SPA 90F Heating
Remote Pool 85F Water Temp 85F	Remote Pool 85F No Demand

Figure 54. Operation Modes

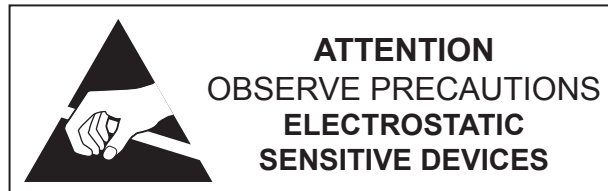
Activating the Remote

To activate or deactivate the remote function, press and hold the UP and DOWN arrow keys simultaneously for 3 to 5-seconds.

The first line in the LCD displays "Remote" and "Off", "Pool" or "Spa" and the temperature setpoint. The second line of the LCD displays "Water Temp" and water temperature alternating with heater status message. See **page 34**.

NOTE: When in remote operation, the keypad mode and temp buttons are disabled.

Remote Control Wiring



⚠ CAUTION: Electrostatic Discharge (ESD) damage can be caused by direct or indirect contact with the wiring or circuit board. When one walks to the heater area, an electrostatic charge accumulates on the body. Contact of a finger allows the body to discharge, possibly causing device damage. This damage can be limited if the service person discharges himself, following ESD preventive/removal practices, and holds on to the heater enclosure for 5-seconds before proceeding.

Important Installation Notes for Remote or External Wiring Configuration:

- Remote wiring must be run in a separate conduit.
- Remote wiring must not be run parallel to high voltage lines.
- For runs of under 30' (9 m), remote wiring should have stranded conductors with a minimum of 22 AWG, 600V, cable twisting 1.5" to 2.5" (3.8 to 6.4 cm) lay and jacketed.
- For runs over 30' (9 m), the conductors should be a minimum of 20 AWG, 600V, cable twisting 1.5" to 2.5" (3.8 to 6.4 cm) lay that is shielded and jacketed.
- Maximum cable length is 200' (61 m).
- For both two- and three-wire remote systems, the provided 3-pin wiring connector must be utilized.

NOTE: The remote wires must be connected to the 3-wire remote interface harness before the connector is plugged into the board.

2-Wire Remote Control (On-Off)

This application assumes that only one heating function (pool or spa) is required.

1. Turn on power to the heater.
2. For a 2-Wire Remote Control from a remote controller without its own sensor, push the MODE key to the "POOL" or "SPA" mode and set the desired setpoint (e.g. 102°F (39°C) for Spa).
3. For a 2-Wire Remote Control from a remote controller with its own sensor, push the MODE key to select "POOL" or "SPA" mode and set the temperature to the highest setting available on the control. The actual setpoint will be controlled by the remote controller.
4. Turn the MODE button to "OFF" and remove power from the heater.
5. On the "Remote Interface Harness", connect the BLUE wire to one side of the "REMOTE" switch and connect the other side to either the ORANGE/BLACK wire for "SPA" operation or the BLACK/ORANGE wire for "POOL" operation. See **Figure 57**.
6. Attach wire nut on the unused wire to the "Remote Interface Harness."
7. Install the "3-wire Remote Control Harness" to the P8 connector and turn power "ON" to the heater. See **Figure 57**.

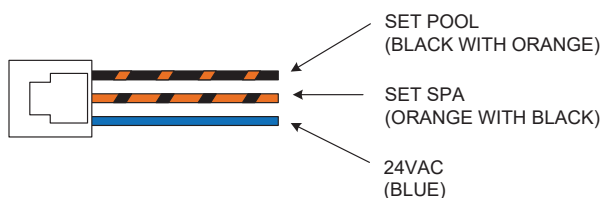


Figure 55. 3-Wire Remote Interface Harness

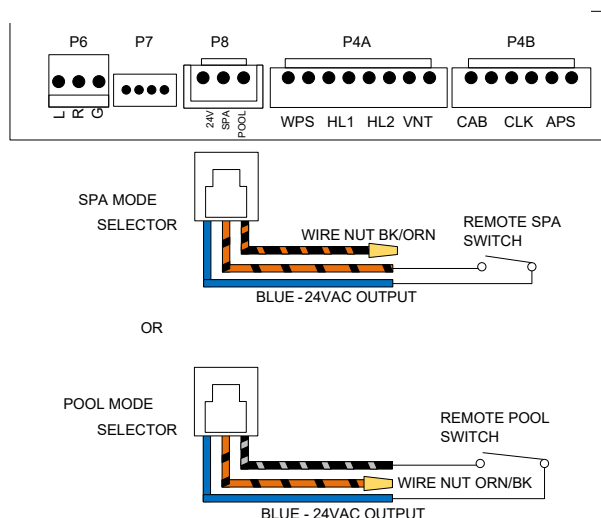


Figure 56. 2-Wire Remote Harness Installation

3-Wire Remote Control Using Three-Position Selector (Pool-Off-Spa, or Low-Off-High)

This application assumes that both heating functions (pool and spa) are required.

1. Turn on power to the heater.
2. Push the MODE key to the "POOL" or "SPA" mode and set the desired temperature for each (e.g. 80°F (27°C) for Pool and 102°F (39°C) for Spa).
3. Turn the MODE key to "OFF" and remove power from the heater.
4. On the 3-wire "Remote Interface Harness" connect the BLUE wire to one side of the "REMOTE" switch and connect the ORANGE/BLACK wire for "SPA" operation and the BLACK/ORANGE wire for the "POOL" operation. See **Figure 57**.
5. Install the 3-wire "Remote Interface Harness" to the P8 connector and turn power ON to the heater. See **Figure 57**.

For activation of the remote control, see **"Activating the Remote"** on page 36.

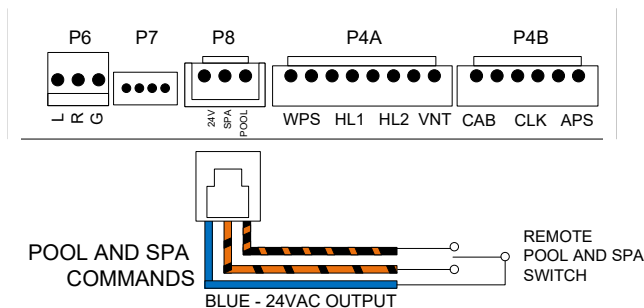


Figure 57. 3-Wire Remote Harness Installation

Time Clock/Fireman’s Switch

To operate the heater with a time clock, connect the timer to the clock/fireman’s switch connection in the heater’s wiring.

The time clock should be of the dual-switch type and set to "shutoff the call-for-heat" to the pool heater 15 to 20 minutes prior to shutting down the pool pump.

The fireman’s switch connection is located at the power junction box. Splice into the Purple wire jumper tagged ["Where necessary add "Fireman’s switch circuit here"] to connect the time clock. See **Figure 58**.

The fireman’s switch connection must be a dry contact and must not supply power to the heater. Powering the fireman’s switch connection externally may damage the heater, and is not covered by warranty.

Do not exceed 50’ (15 m) of total wiring using 18 AWG stranded copper wire rated for 221°F (105°C) minimum.

NOTE: When using a time clock, the heater will display "Clock/Fireman Sw" when the fireman’s switch is open, indicating that the time clock has shutoff the call-for-heat.

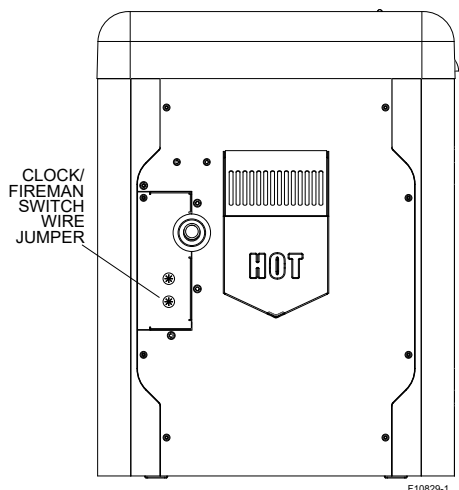


Figure 58. Clock/Fireman Switch Wire Location

Water Pressure Switch

The water pressure switch ensures that the heater operates only when the filter pump is in operation. It is located on the In/Out header. It is factory-set at 1.75 PSI for deck level installation.

Water Pressure Switch Adjustment

When the heater is located below the level of the spa or pool, it may be necessary to adjust the pressure switch to compensate for the no-flow static head. If it is necessary to adjust the water pressure switch, do the following:

1. Make sure the pool filter is clean before adjusting the switch.
2. Set the heater control to the OFF mode.
3. Turn the filter pump ON and confirm that the pressure switch is closed (use a multimeter to check). If the pressure switch fails to close, either the switch setting is too high or not enough pressure is being supplied by the filter pump.
4. Turn the heater ON.
5. Manually turn the pressure adjustment knob clockwise until the heater shuts off. (A flat screwdriver may be necessary if knob is too tight.)
6. Slowly turn the adjustment knob counter-clockwise until the heater calls-for-heat again.
7. Turn an additional 1/2 turn counter-clockwise.
8. While the heater is running, check the adjustment by turning the pump off and on several times. The burners should shut off immediately when the pump is turned off. If it does not, repeat the above steps until proper operation is observed.

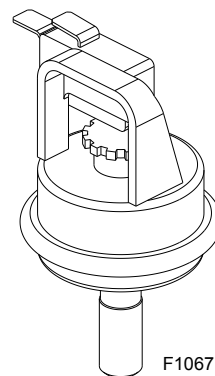


Figure 59. Water Pressure Switch Assembly

NOTE: The sheet metal access panels should be in place at all times to protect the water pressure switch from rain and other environmental factors.

High Limits

The heater is equipped with two high limits, both are automatic and are located in the inlet/outlet header. Although both limits are preset to auto-reset, the control board will request the operator to press "MODE" key if either limit is tripped while the heater is running.

NOTE: An erratic high limit is often characteristic of an internal heat exchanger problem, e.g. scale build-up, or defective bypass. Refer to "Troubleshooting" on page 48.

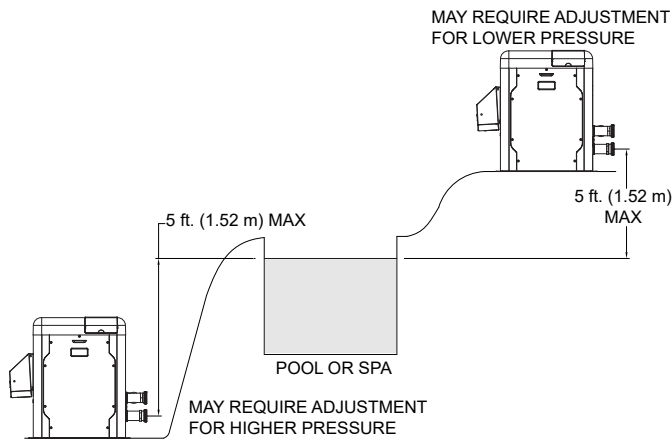


Figure 60. Pressure Switch Adjustment Requirements

NOTE: If heater is installed outside of the limits shown, a higher-pressure rated (11 psi / 76 kPa) switch may be used. A flow switch, mounted and wired adjacent to the heater, may be used in place of the factory-mounted pressure switch. See "Illustrated Parts List" on page 84 for 11 psi / 76 kPa water pressure switch.

Two-Speed and Variable Speed Pumps

In some cases, the flow on the low-speed is insufficient to operate the heater. This is apparent when the water pressure switch cannot be further adjusted or if the heater makes banging noises or shuts off on high limit. In these cases, the pump must be run at high speed when heating the water.

CAUTION: Do not operate the heater without the function of a properly-adjusted water pressure switch or flow switch.

Cabinet Limit Switch

Heaters are equipped with a cabinet limit switch to prevent the overheating of the components inside the cabinet in case of any flue gas leakage from combustion chamber. It is a "manual-reset" type switch that must be reset by the service technician after making sure any leaks or damage to the unit has been fixed.

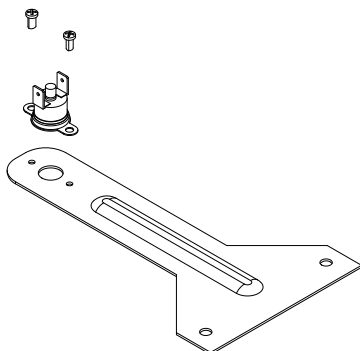


Figure 61. Cabinet Limit Switch – Manual-Reset

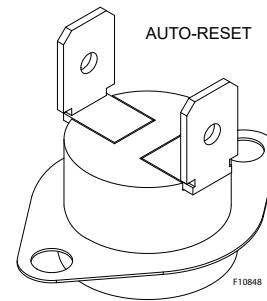


Figure 62. High Limit Switch

High Limit Removal

1. Shut off main electrical power switch to heater.
2. Remove inlet/outlet sheet metal access panel.
3. Remove defective high limit and replace with the correct, new high limit.
4. Replace access panel.

Adjusting Valve Manifold Pressure

1. Remove the cap to gain access to the adjustment screw.
2. Turn the adjustment screw clockwise to increase pressure. (For example, at -0.6" WC turning clockwise will increase the pressure to -0.5" WC, -0.4" WC, etc.)
3. The manifold pressure should be negative -0.30 "WC (+/- 0.20 "WC) while running. If a combustion analyzer is available, the O2 reading should be between 4.5 - 5.5% O2 while running.
4. Install the cap before reading the manifold pressure.

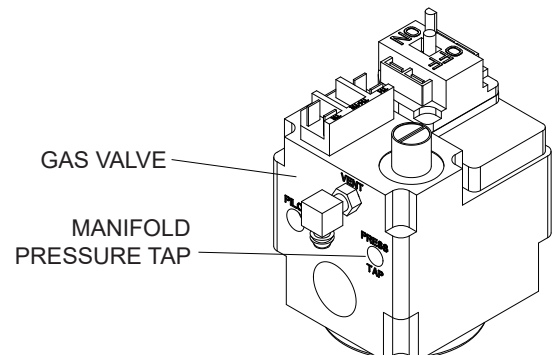
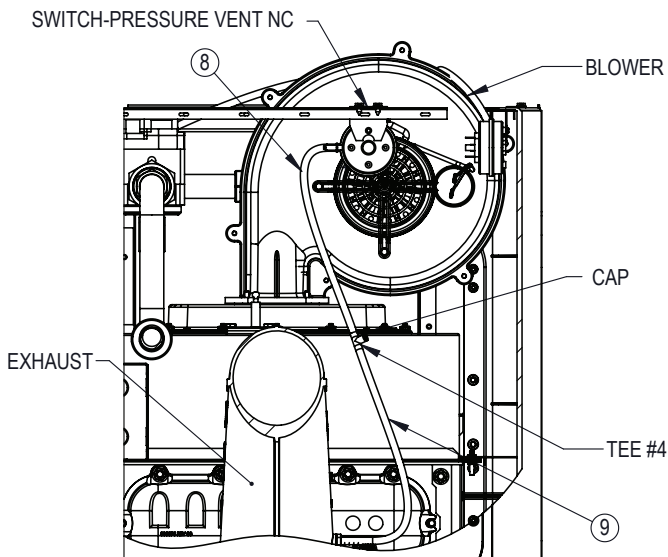
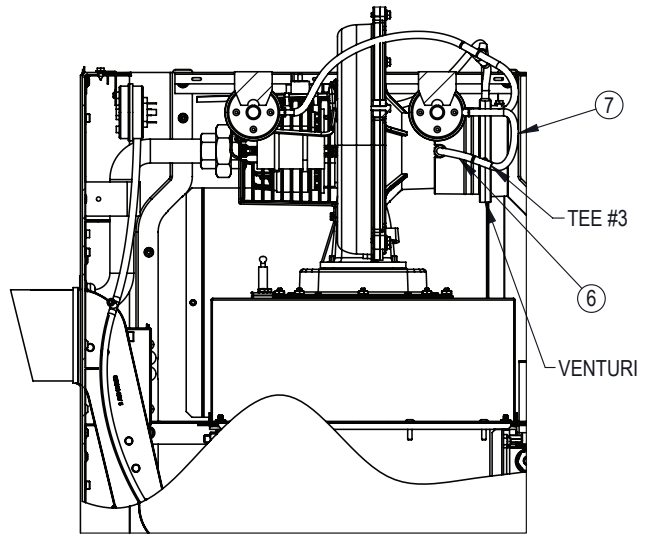
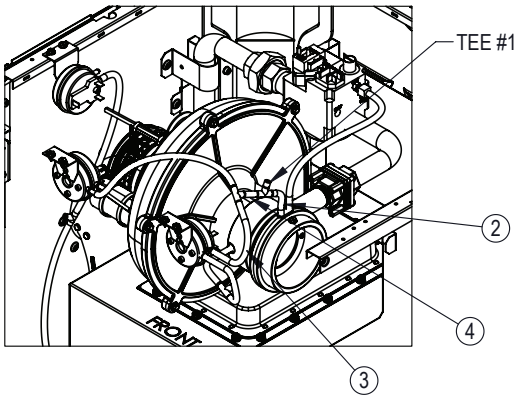
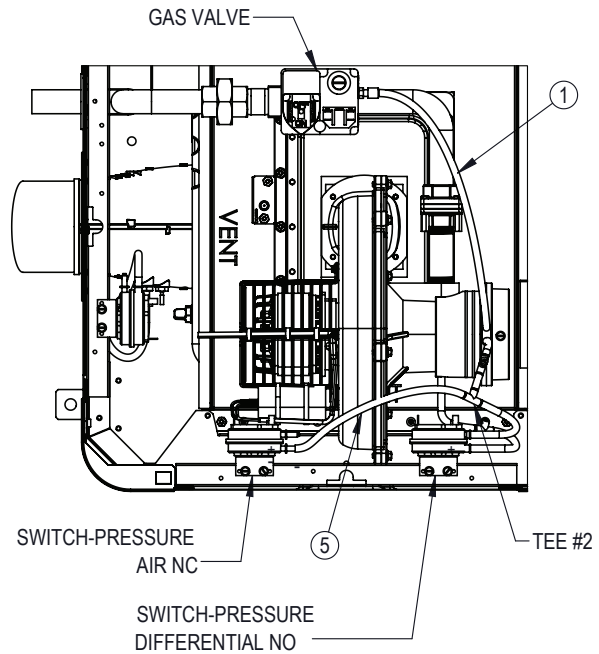
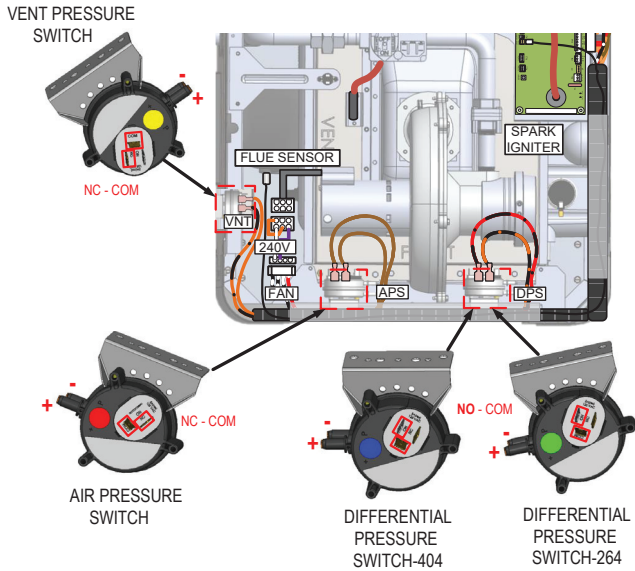


Figure 63. Manifold Pressure Adjustment

Air Pressure Switches and Hoses

Use next illustration as reference to check correct connection of air pressure switches and hoses.



1/4 HOSE ROUTING		
HOSE #	TO	FROM
1	GAS VALVE (VENT)	VENTURI (SUCTION #1)
2	TEE #1	VENTURI (SUCTION #2)
TEE #1	HOSE #3 & 4	HOSE #2
3	DPS (+SIDE)	TEE #1
4	TEE #2	TEE #1
TEE #2	HOSE #5 & CAP	HOSE #4
5	APS (-SIDE)	TEE #2
6	TEE #3	BLOWER
TEE #3	HOSE #7 & CAP	HOSE #6
7	DPS (-SIDE)	TEE #3
8	VENT SWITCH (+SIDE)	TEE #4
9	TEE #4	EXHAUST
TEE #4	HOSE #9 & CAP	HOSE #8

Orifice Removal

1. Locate and close the external manual shutoff valve.
2. Loosen the external gas union.
3. Locate and remove jacket top.
4. Locate and remove the four (4) bolts & nuts holding the gas orifice in place. See **Figure 64**.
5. Carefully remove the gas orifice and do not misplace the O-rings attached to the flanges.
6. Inspect and/or replace the orifice with the correct size.

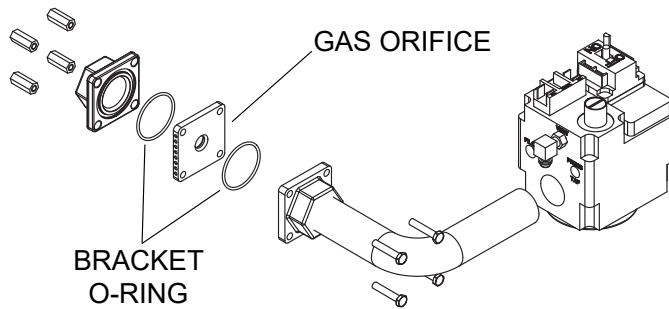


Figure 64. Orifice Location

Gas Orifice Selection

Use **Table R** for the right gas orifice selection. Propane orifices can be identified by the black paint on the edges. The notches should face up for easy identification.

The gas orifice is located on the gas train, between the gas valve and the combustion blower.

NOTE: Gas orifices for propane gas have a black oxide finish.

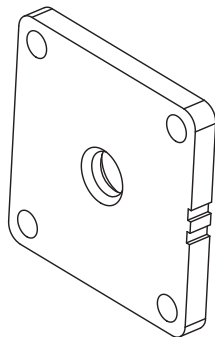


Figure 65. Gas Orifice

Pockets / Notches	Model	Gas Type	Finish
1	264	Natural	None
2	404		
1	264	Propane	Black
2	404		

Table R. Gas Orifice Selection

Igniter Removal.

1. Remove top cover.
2. Disconnect spark cable from igniter.
3. Use M10 socket, remove the two nuts holding the igniter.
4. Carefully remove igniter and gasket.
5. When replacing igniter, be sure to add a new gasket when installing igniter.

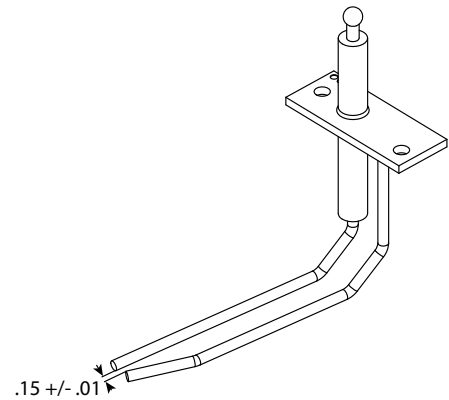


Figure 66. Igniter

Burner Removal

1. See “Combustion Blower Removal” steps below. Must remove blower to reach the burner.
2. Once the blower is removed. Use an M10 socket to remove the sixteen (16) nuts holding down the burner.
3. Be sure to install a new gasket before installing the burner.

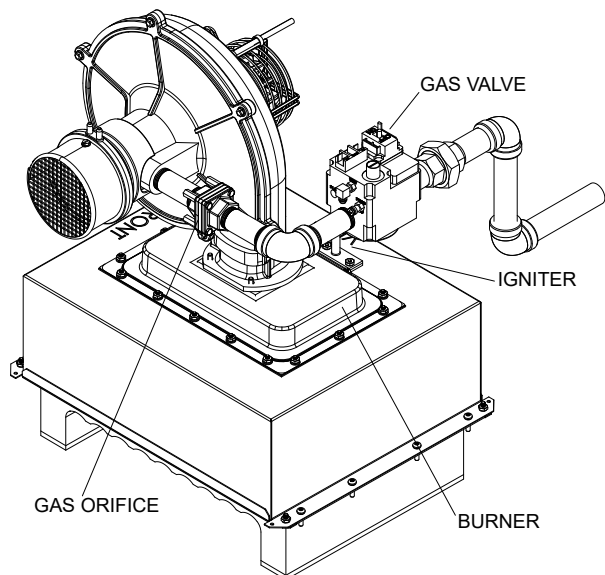


Figure 67. Burner/Gas Train

Combustion Blower Removal

1. Shut off main electrical power switch to heater.
2. Shut off gas upstream of heater.
3. Remove top cover.
4. Disconnect gas line from gas valve by unscrewing union fitting along the gas train.
5. Disconnect the supply power connector from the blower.
6. Disconnect 24V power leads from gas valve.
7. Remove suction hoses from the venturi and blower.
8. Use M10 socket to remove (4) nuts from base of the blower. Then lift and remove blower.

Gas Valve Removal

1. Shut off gas supply to heater.
2. Remove top cover.
3. Unscrew the union fitting on gas train.
4. Remove the 24V power leads from the gas valve.
5. Remove tracking hose from the gas valve to the venturi.
6. Use a pipe wrench to hold the other end of the gas train (pipe connected to blower), while using another pipe wrench to torque the gas valve counterclockwise and remove from assembly. Alternatively, you can remove the gas orifice flange to access the valve gas train.

Heat Exchanger Removal

1. Shut off water, gas, and power to unit. Release any pressure in water lines. Then remove water connections to heater.

2. Remove top cover. Disconnect power leads from rocker switch along with the cable attached to the user interface. Then set cover aside. (*It will be easier to work on heater with the cover totally removed but might not be necessary*).
3. Perform the steps in “Combustion Blower Removal”.
4. Use Philips head screwdriver to remove screws from all jacket panels.
5. Use a Philips head screwdriver to remove (8) machine screws along the side of the combustion chamber (there are 4 on each side), and the two (2) sheet metal pieces that hold the combustion box to the side panels.
6. Carefully lift top combustion chamber from the base and remove it from the heater.
7. Use ½” socket to remove (8) nuts from the side brackets that hold the heat exchanger onto the base (there are 2 nuts per bracket).
8. Use a crescent wrench to remove the (2) water temperature sensors on the side of the main header.
9. Remove the (4) wire leads connected to the high limit switches.
10. Lift the heat exchanger and remove from unit.

Tube Cleaning Procedure

Establish a regular inspection schedule, the frequency depending on the local water conditions and the severity of service. Do not let the tubes clog up solidly. Clean out deposits over 1/16" (1.6 mm) in thickness.

The heater may be cleaned from the return header side, without breaking pipe connections. It is preferable, however, to remove both headers for better visibility through the tubes and to be sure the ground-up lime dust does not get into the system.

After reaming, mount the wire brush in place of the auger and clean out debris remaining in the tubes.

Another method is to remove the heat exchanger, ream tubes and immerse heat exchanger in non-inhibited de-scale solvent for severe scale build-up.

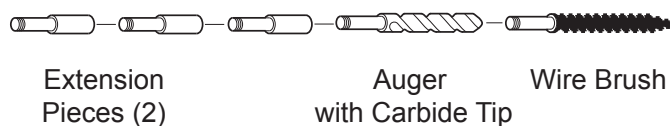


Figure 68. De-Liming Cleaning Kit (#052871F)

Desooting Procedure

⚠ WARNING: Soot Is Combustible. Exercise Extreme Care.

Soot will clog areas between fins and cause eventual tube failure. Any sign of soot at the base of the burners or around the outer jacket indicates a need for cleaning.

1. Follow the heat exchanger removal process as shown in "Heat Exchanger Removal" section.
2. The heat exchanger has a baffle on the sides, or the bottom, depending on the model size, which has to be removed.
3. Remove the heat exchanger from the unit and wash with a garden hose, making sure soot is removed from the spaces between the fins.
4. Reverse the heat exchanger removal procedure to reinstall.

NOTE: In extreme cases it may be necessary to do steam cleaning at the local car wash. DO NOT WIRE BRUSH.

Heat Exchanger Reinstall

It is highly recommended to replace the top combustion chamber with the refractory during the heat exchanger reinstallation process. Failing to do so can result in damage to the heater and potential dangerous operating conditions. See **Figure 69**.

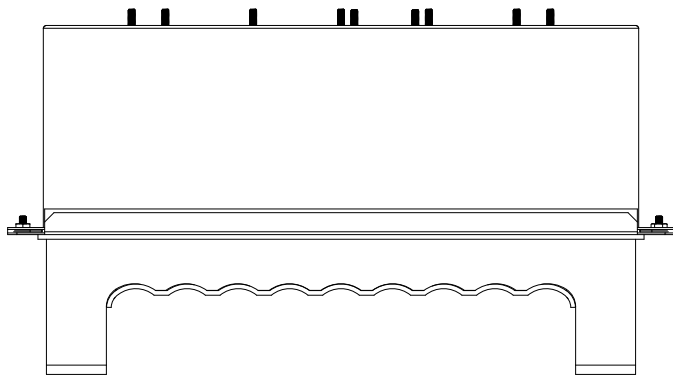


Figure 69. Top Combustion Chamber

Unitherm Governor (U.G.) Replacement

1. Shut off water, gas and electricity, close valves and relieve pressure.
2. Drain heat exchanger.
3. Remove retainer plug located next to the outlet pipe connection.
4. Unsnap old U.G. to remove from retainer plug. Snap in new U.G.

5. Reinstall retainer plug, taking care to lubricate gasket with a non-petroleum based grease such as AquaLube.

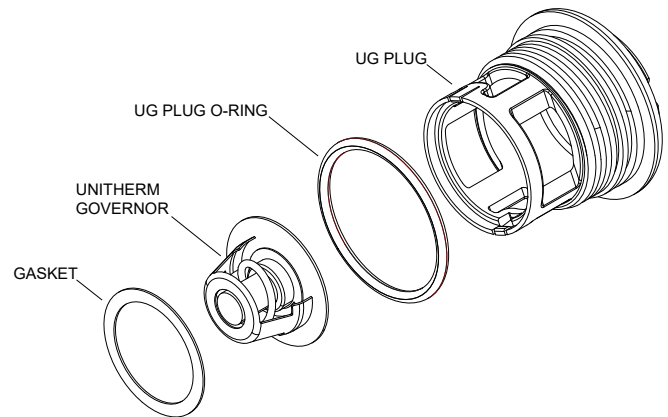


Figure 70. Unitherm Governor

To test the operation of the Unitherm Governor, place in hot water over 120°F (49°C), and watch for movement against spring. If there is no movement, replace the UG.

⚠ WARNING: When removing the burners or heat exchangers, take precautions to avoid creating airborne dust and avoid inhaling airborne fibers. When cleaning spills, use wet sweeping or High Efficiency Particulate Air (HEPA) filtered vacuum to minimize airborne dust. Use feasible engineering controls such as local exhaust ventilation or dust collecting systems to minimize airborne dust. Wear appropriate personal protective equipment including gloves, safety glasses with side shields, and appropriate NIOSH-certified respiratory protection, to avoid inhalation of airborne dust and airborne fiber particles.

8. OPERATING INSTRUCTIONS

Before Start-Up

Burners

Keep heater area clear and free from combustibles, flammable liquids and chemicals. Do not obstruct the flow of combustion and ventilation air.

Water

Water must be flowing through the heater during operation. Ensure that the system is filled with water and that the pump is operating. The heater should always have a minimum of 40 GPM (151 lpm) water flowing through it.

Start-Up Procedures

Your pool and spa heater has been designed for years of safe and reliable pool/spa water heating. It is available with electronic ignition only. This manual provides installation, operation, maintenance, and service information for these heaters.

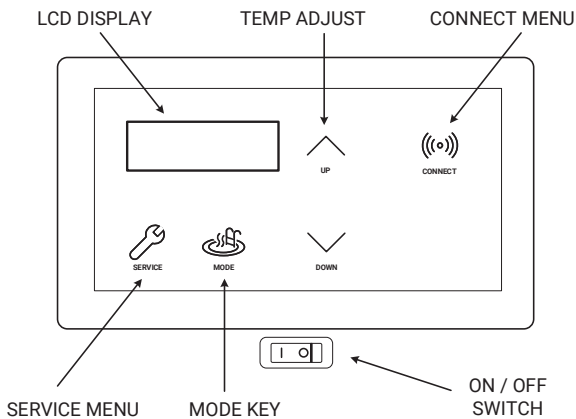


Figure 71. Heater Control Toggle Switch

If your heater has been installed correctly, operating the heater is an easy task. The upper front panel of the heater contains the control center that allows you to turn the heater On or Off and adjust the temperature settings for the pool or spa. The temperature range is factory-set from 65°F (18°C) to 104°F (40°C). See **Figure 71** for location of toggle switch to turn the heater On and Off.

See "**Controls**" section on page **27** for additional details about the use of the controls in the Control Adjustments subsection.

After Start-Up

Feel the inlet and outlet pipes. Outlet pipe should be only slightly warmer than the inlet. It should not be hot.

⚠ WARNING: Should overheating occur or the gas supply fail to shut off, turn off the manual gas control to the appliance.

⚠ AVERTISSEMENT: En cas de surchauffe ou si l'alimentation en gaz ne s'arrete pas, fermez manueiement ie robinet d'arret de l'admission de gaz.

Water Pressure Switch

A water pressure switch is provided in the heater to shut off the burners in the event that water supply is interrupted. It is very important to verify that the switch electrically opens and shuts off the gas valve when water flow to the heater is interrupted. Otherwise, rapid and severe damage will likely occur to the heater.

The water pressure switch should be checked and adjusted for proper operation by a qualified service person at the time of installation and periodically checked thereafter. Refer to "**Water Pressure Switch Adjustment**" on page **38**.

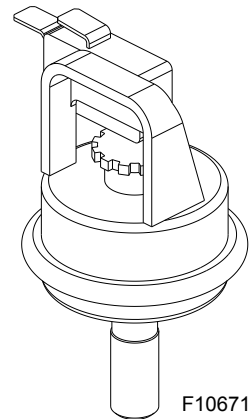


Figure 72. Water Pressure Switch

⚠ WARNING: Operation of the heater without water circulation will cause rapid and severe damage to the heater, which will not be covered under warranty.

OPERATING INSTRUCTIONS AND SHUTOFF PROCEDURES - DIRECT IGNITION SYSTEMS

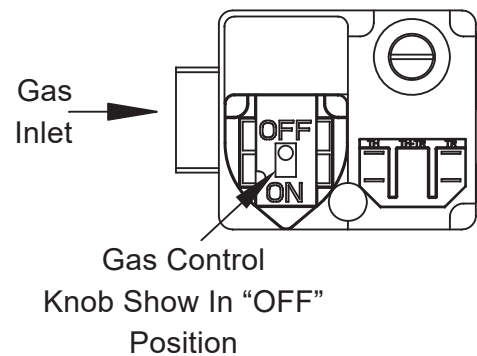
FOR YOUR SAFETY READ BEFORE LIGHTING

▲ WARNING: If you do not follow these instructions exactly, a fire or explosion may result causing property damage, personal injury or loss of life.

- A. This appliance does not have a pilot. It is equipped with an ignition controller which automatically lights the burner. DO NOT try to light the burner by hand.
- B. BEFORE OPERATING smell all around the appliance area for gas. Be sure to smell next to the floor because some gas is heavier than air and will settle on the floor.
WHAT TO DO IF YOU SMELL GAS:
 - Do not try to light any appliance.
 - Do not touch any electric switch; do not use any phone in your building.
 - Immediately call your gas supplier from a neighbor's phone. Follow the gas supplier's instructions.
 - If you cannot reach your gas supplier, call the fire department.
- C. Use only your hand to turn the gas control ON or OFF. Never use tools. If you cannot change the ON/OFF setting by hand, do not try to repair it, call a qualified service technician. Force or attempted repair may result in a fire or explosion.
- D. Do not use this appliance if any part has been under water. Immediately call a qualified service technician to inspect the appliance and to replace any part of the control system and any gas control which has been under water.

LIGHTING INSTRUCTIONS

1. STOP! Read the safety information above on this label.
2. Set the thermostat to the lowest settings.
3. Turn off all electric power to the appliance.
4. This appliance does not have a pilot. It is equipped with an ignition device which automatically lights the burner. **Do not try to light the burner by hand.**
5. Remove the heater's top panel.
6. Pull toggle style switch away from you to turn gas "OFF".
7. Wait five (5) minutes to clear out any gas. Then smell for gas, including near the floor. If you smell gas STOP! Follow "B" in the safety information above on this label. If you don't smell gas, go to the next step.
8. Push the toggle switch towards you to turn the gas "ON".
9. Replace heater door panel.
10. Turn on all electric power to the appliance.
11. Set thermostat to desired setting.
12. If the appliance will not operate, follow the instructions "To Turn Off Gas To Appliance" and call your service technician or gas supplier.



TO TURN OFF GAS TO APPLIANCE

1. Set the thermostat at the lowest setting.
2. Turn off all the electrical power to the appliance if service is to be performed.
3. Remove the heater's top panel.
4. Pull toggle style switch away from you to turn gas "OFF".
5. Replace heater door panel.

**INSTRUCTIONS D'UTILISATION ET PROCÉDURES D'ARRÊT
MODÈLES NUMÉRIQUES À ALLUMAGE ÉLECTRONIQUE
SYSTÈME D'ALLUMAGE DIRECT**

POUR VOTRE SÉCURITÉ LISEZ AVANT DE METTRE EN MARCHÉ

AVERTISSEMENT: Quiconque ne respecte pas à la lettre les instructions dans la présente notice risque de déclencher un incendie ou une explosion entraînant des dommages, des blessures ou la mort.

- A. Cet appareil ne comporte pas de veilleuse. Il est muni d'un dispositif d'allumage qui allume automatiquement le brûleur. Ne tentez pas d'allumer le brûleur manuellement.
- B. **AVANT DE FAIRE FONCTIONNER**, reniflez tout autour de l'appareil pour déceler une odeur de gaz. Reniflez près du plancher, car certains gaz sont plus lourds que l'air et peuvent accumuler au niveau du sol.

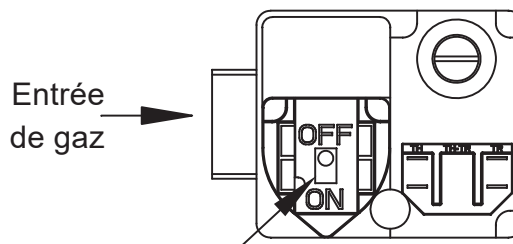
QUE FAIRE SI VOUS SENTEZ UNE ODEUR DE GAZ:

- Ne pas tenter d'allumer d'appareil. Ne touchez à aucun interrupteur; ne pas vous servir des téléphones se trouvant dans le bâtiment.

- Appelez immédiatement votre fournisseur de gaz depuis un voisin. Suivez les instructions du fournisseur.
- Si vous ne pouvez rejoindre le fournisseur, appelez le service des incendies.
- C. Ne poussez ou tournez la manette d'admission du gaz qu'à la main; ne jamais utiliser d'outil. Si la manette reste coincée, ne pas tenter de la réparer; appelez un technicien qualifié. Le fait de forcer la manette ou de la réparer peut déclencher une explosion ou un incendie.
- D. N'utilisez pas cet appareil s'il a été plongé dans l'eau, même partiellement. Faites inspecter l'appareil par un technicien qualifié et remplacez toute partie du système de contrôle et toute commande qui ont été plongés dans l'eau.

INSTRUCTIONS DE MISE EN MARCHÉ

1. **ARRETEZ!** Lisez les instructions de sécurité sur la portion supérieure (à gauche) de cette étiquette.
2. Réglez le thermostat à la température la plus basse.
3. Coupez l'alimentation électrique de l'appareil.
4. Cet appareil ne comporte pas de veilleuse, Il est muni d'un dispositif d'allumage qui allume automatiquement le brûleur. Ne tentez pas d'allumer le brûleur manuellement.
5. Retirez le panneau de porte du radiateur.
6. Tirez l'interrupteur à bascule loin de vous pour allumer le gaz "OFF".
7. Attendez cinq (5) minutes pour laisser échapper tout le gaz. Reniflez tout autour de l'appareil, y compris près du plancher, pour déceler une odeur de gaz. Si vous sentez une odeur de gaz, **ARRETEZ!** Passez à l'étape B des instructions de sécurité sur la portion supérieure (à gauche) de cette étiquette. S'il n'y a pas d'odeur de gaz, passez à l'étape suivante.
8. Poussez l'interrupteur à bascule vers vous pour tourner le gaz "ON".
9. Remplacez panneau de porte du radiateur.
10. Mettez l'appareil sous tension.
11. Réglez le thermostat à la température.
12. Si l'appareil ne se met pas en marche, suivez les instructions intitulées. Comment couper l'admission de gaz de l'appareil? appelez un technicien qualifié ou le fournisseur de gaz.



Le bouton de contrôle du gaz montre en position "OFF"

COMMENT COUPER L'ADMISSION DE GAZ DE L'APPAREIL

1. Réglez le thermostat au réglage le plus bas.
2. Coupez toute l'alimentation électrique de l'appareil si le service doit être effectué.
3. Retirez le panneau de porte du radiateur.
4. Tirez l'interrupteur à bascule loin de vous pour tourner le gaz "DÉSACTIVÉ".
5. Remplacez le panneau de porte du radiateur.

9. MAINTENANCE AND CARE

▲ WARNING: Check the heater for possible rodent nests after long periods of non-use.

Perform the following maintenance operations one year after initial start-up and then semi-annually.

1. Inspect and operate all controls, gas valve and pressure relief valve (if equipped).
2. On indoor heaters, clean room intake openings to ensure adequate flow of combustion and ventilation air.

▲ CAUTION: Combustion air must not be contaminated by corrosive chemical fumes which can damage the heater. Such damage will not be covered under warranty.

3. Keep area around heater clear and free from combustible materials, gasoline and other flammable and corrosive vapors and liquids.

If Heater Will Not Fire:

If you have no electrical power, it may be that your “circuit breaker” has tripped. Try re-setting it.

If you have electrical power but the heater will not fire check the following or see **"Troubleshooting"** on page 48:

1. The time clock must be in the ON position.
2. Your pump strainer basket may be full. If so, remove debris.
3. Your filter may be dirty. If so, backwash or clean filter. (To tell if your filter is dirty, look to see if the filter pressure reading is higher than usual).
4. The pump may have lost its prime and be running dry. Check the pressure on the filter. If there is no pressure; then you are not moving water (or your gauge is broken). Try to get the pump to run at its normal flow rate.

Cold Weather Operation

Important Freeze Information

MODERATE CLIMATE: Heater operation can continue during short-term cold spells. When temperatures are between 0°F (-18°C) and 32°F (0°C), flow (continuous pump operation) must be maintained.

▲ CAUTION: Do not use the heater to maintain water temperatures just above freezing or for freeze protection. When heater is used during freezing weather, care must be taken to avoid freeze-ups. Continuous pump operation is a must. Additional protection may be required. The heater is not warranted against freeze-ups.

COLD CLIMATE: Prolonged operation with water temperatures below 50°F (10°C) is not recommended. When starting the heater with water temperatures below 50°F (10°C), operate the heater continuously until higher temperatures are reached. Operating the heater for prolonged periods with pool water below 50°F (10°C) can seriously damage the heater, and is not covered by the warranty. For cold climate areas, please follow the winterizing procedures listed below.

Winterizing the Pool and Spa Heater

Heaters installed outdoors in freezing climate areas may be shut down for the winter. Observe the following procedure for winterizing the heater:

1. Turn off gas valve, manual gas valve, and electrical supply to the heater.
2. On the water connection, close any isolation valve to isolate the heater. Remove the lower right access panel to reveal the right side of the Inlet/Outlet header. The drain will be located underneath the header. Loosen and remove the drain plug. See **Figure 73**.

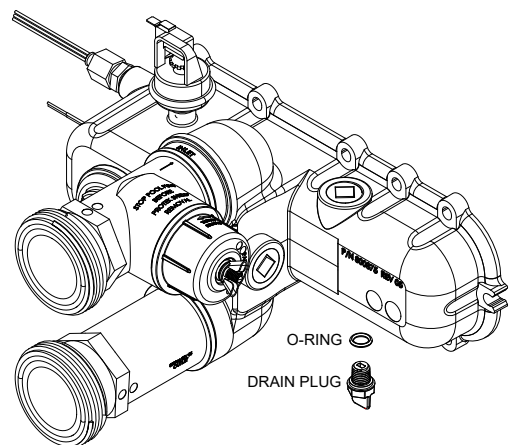


Figure 73. In/Out Header with Drain Plug

10. TROUBLESHOOTING

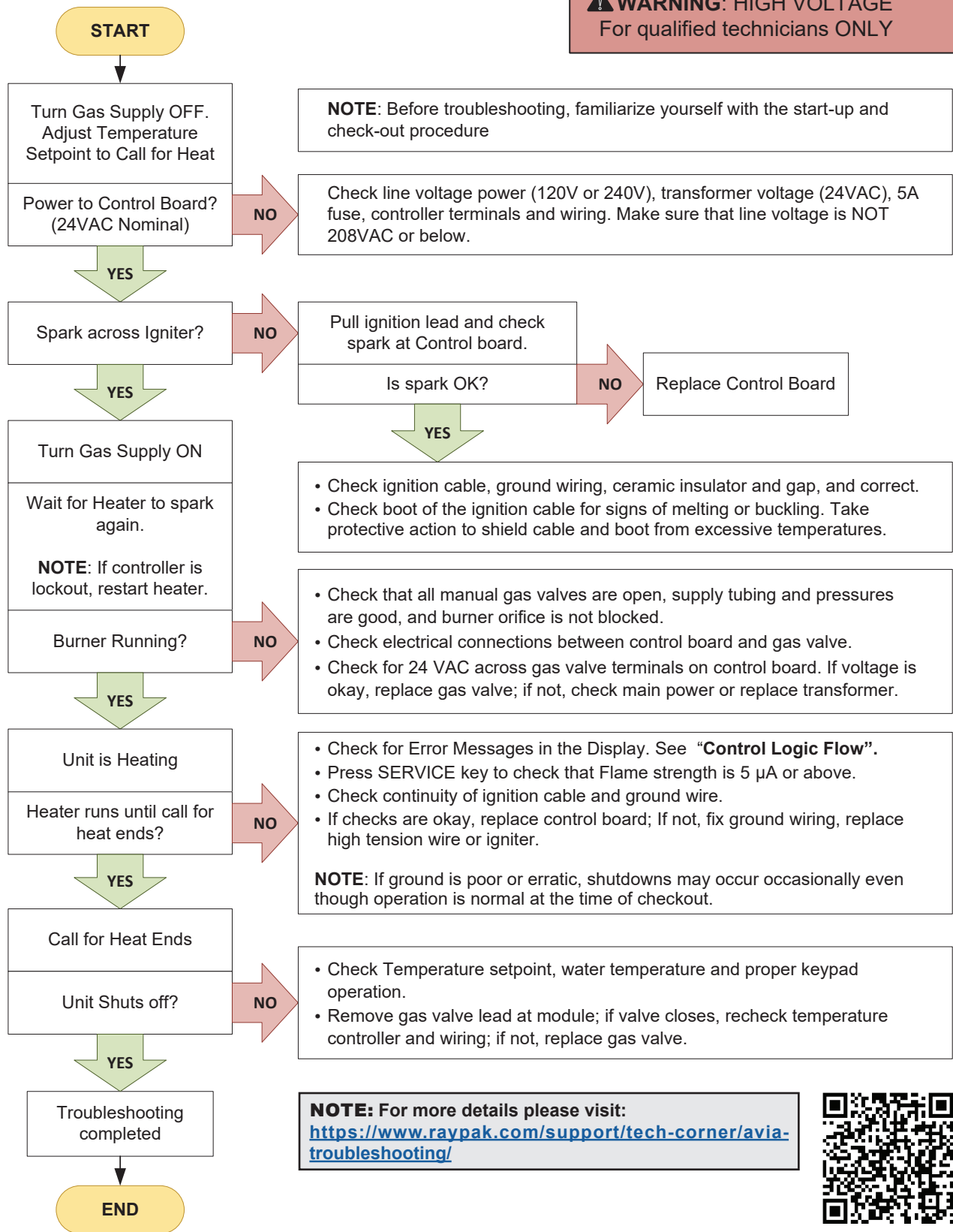
IMPORTANT NOTICE: These instructions are intended for the use of qualified personnel who are specifically trained and experienced in the installation of this type of heating equipment and related system components. Installation and service personnel may be required by some states to be licensed. Persons not qualified shall not attempt to install this equipment nor attempt repairs according to these instructions.

Problem	Possible Cause	Corrective Action
LCD text flickering or no text	Low or no voltage to control board	Check for 24VAC at control board P6.
		Check transformer wiring to 240V or 120V.
Harmonics, or whining noise	Unitherm governor inoperative.....	Check movement by putting in hot water (above 120°F [49°C] or higher)
	*Debris or restriction in system.....	Locate the restriction and remove. Flush system and clean
	*Debris in gas line.....	Remove debris or blow out gas line
	Low flow.....	Scale forming in heat exchanger - clean heat exchanger and check pool pH and total alkalinity
Heater going on and off continuously	Dirty filter	Clean or replace filter
	Low water level in pool	Raise water level
	External bypass setting out of adjustment.....	Adjust bypass
	Pressure switch out of adjustment.....	Adjust pressure switch
Liming or scale forming in exchanger	Pool water.....	See Water Chemistry on page 5
	Bypassing too much water	Inspect bypass for movement, if no movement, replace
	Unitherm governor not functioning	Replace if no movement when heated
Sooting	High flow rates.....	Reduce by adding manual bypass valve Adjust manual bypass valve until heater outlet water temp is between 105°F and 120°F (40°C and 49°C)
	Unitherm governor inoperative	Check movement by putting in hot water (above 120°F [49°C] or higher). If no movement, replace
	*Air starvation	Refer to installation instructions
	*Improper venting	Follow recommended installation instructions
	*Insects or debris clogging burner intake ports	Clean burners
Flame outage or Flame strength below 2 µA	Low gas pressure	Adjust gas pressure
	Restricted/dirty igniter.....	Clean igniter and burners
Takes too long to heat pool or spa	Under-sized heater.....	Calculate heating capacity of heater $\frac{\text{Htr. output (BTUH)}}{\text{Pool gallonage} \times 8.33} = \text{approx. degF rise/hr}$ or refer to heater sizing chart This does not take into account heat loss due to weather
	Filter not running long enough.....	Reset time clock
	Dirty filter	Clean filter
	Gas line or meter undersized	Refer to installation instructions. See page 18.
Leaking at heat exchanger	Overacid	Replace heat exchanger and maintain proper water chemistry
Gasket brittle and leaking - (overheated)	Heater running after pump shuts off.....	See Pressure Switch Adjustment, See page 38.
	Refractory damage.....	Replace refractory
	Sooted heater	Determine cause of sooting and correct
Fan not running, "Diff Sw Open" or "Fan Lockout"	Incorrect blower jumper.....	Check blower jumper matches 240V or 120V power supply.
	Fan relay.....	Check control board Fan relay terminals "Power" and "Blower". If relay is stuck open or close, replace control board.
	Fan Connection	Loose connection or failed motor. Prolonged exposure to power with the wrong blower jumper can damage the blower.

* Indicates symptom which usually occurs on initial start-up.

Operation and Troubleshooting - Flow Chart

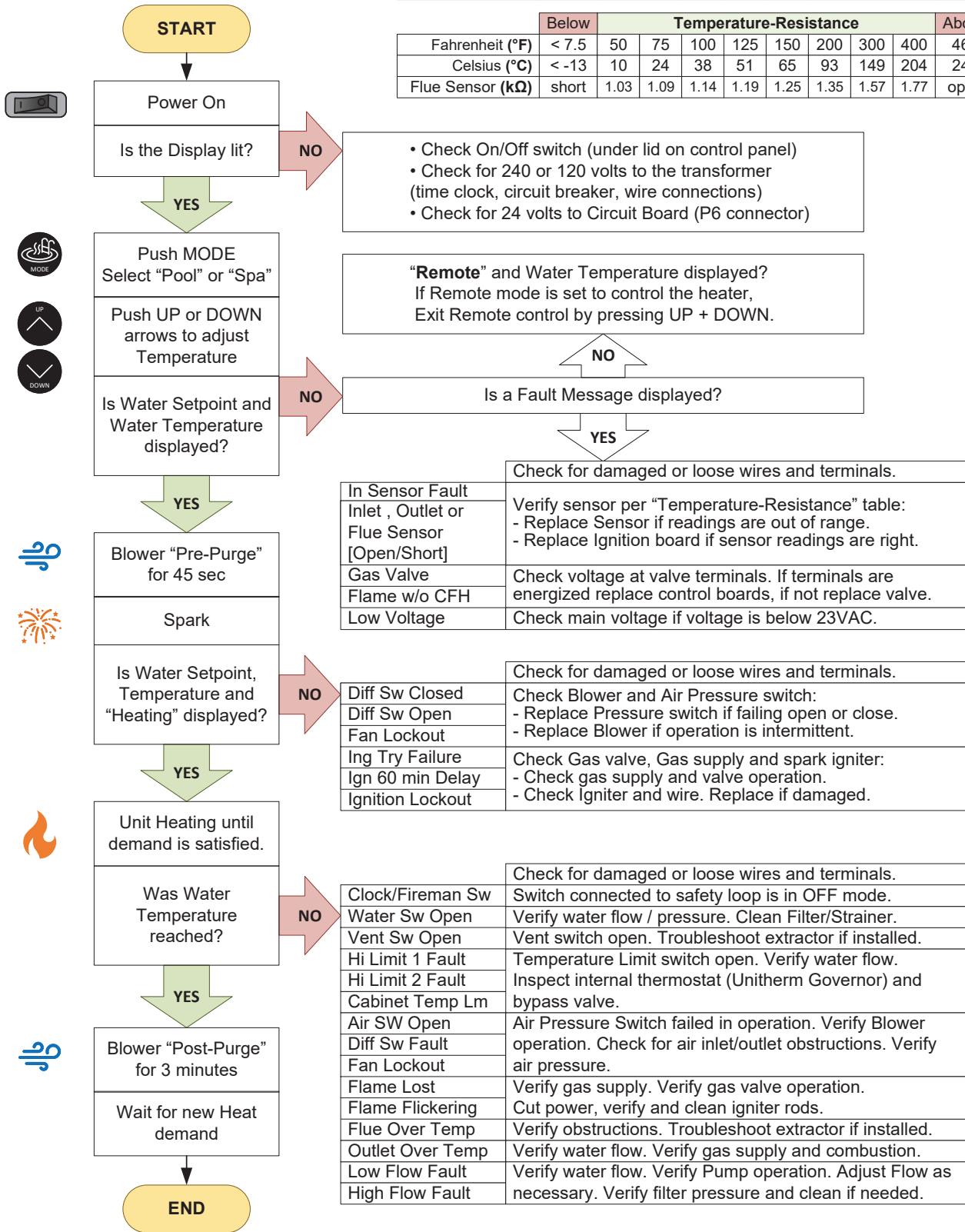
⚠ WARNING: HIGH VOLTAGE
For qualified technicians ONLY



Control Logic - Flow Chart

	Below	Temperature-Resistance									Above
Fahrenheit (°F)	6.3	40	50	60	70	80	90	100	110	187	
Celsius (°C)	-14	4	10	15	21	27	32	38	43	86	
Inlet Sensor (kΩ)	open	261	199	153	119	93	73	58	46	short	
Outlet Sensor (kΩ)	open	26	20	15	12	9.3	7.3	5.8	4.6	short	

	Below	Temperature-Resistance									Above
Fahrenheit (°F)	< 7.5	50	75	100	125	150	200	300	400	464	
Celsius (°C)	< -13	10	24	38	51	65	93	149	204	240	
Flue Sensor (kΩ)	short	1.03	1.09	1.14	1.19	1.25	1.35	1.57	1.77	open	



11. CONNECT TO WI-FI WITH RAYMOTE

Before initiating the provisioning process, make sure a reliable Wi-Fi access point is located near the unit or control room and a Wi-Fi network password is available.

Date: _____
 Wi-Fi Network Name (SSID): _____
 Wi-Fi Password: _____

Raymote User Registration

Sign up from your mobile device with the Raymote App. Use your email to create a new account. You'll receive an email confirmation. See **Figure 74**.

NOTE: Check your email spam if you do not receive an email within 5-minutes in your inbox.

Use your email address as the Raymote user, then create a secure password. See **Figure 75**.

Once the user registration is complete, you can begin to add your AVIA heaters via the Raymote mobile app. See **Figure 80**.

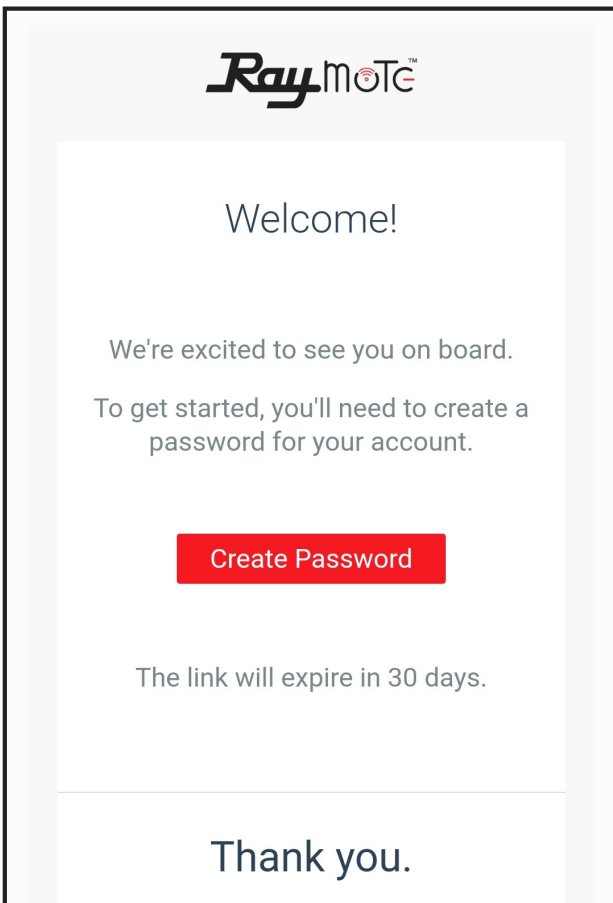


Figure 74. Welcome Raypak Dashboard

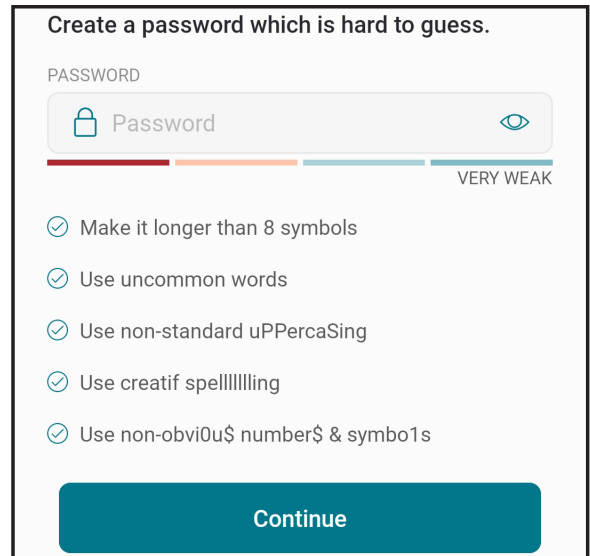


Figure 75. Create Password

Downloading the Raymote Mobile App

1. Download and install the Raymote mobile app from the Google Play ([Android](#)): or App Store ([iOS](#)): on your mobile device.
2. Find the Raymote mobile app icon on your device. See **Figure 76**.

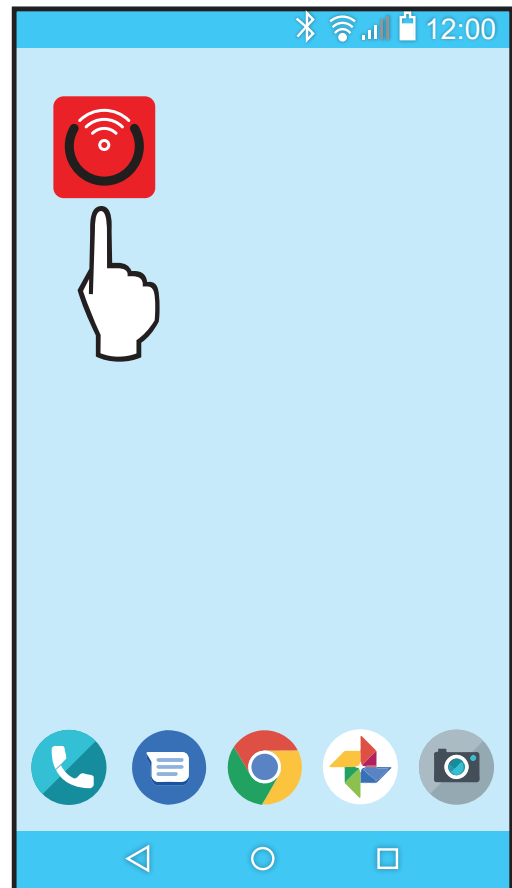


Figure 76. Find your Raymote Mobile App Icon

- Open the Raymote mobile app and log in with your user name and password. See **Figure 77**.

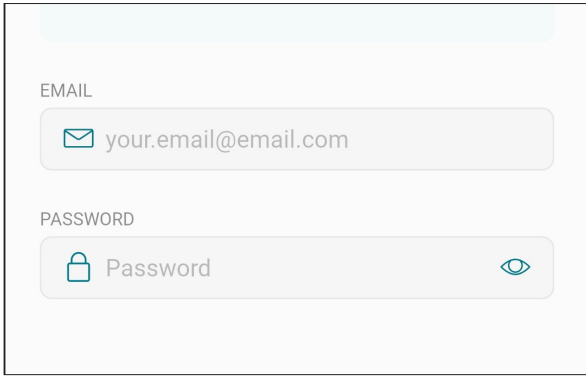

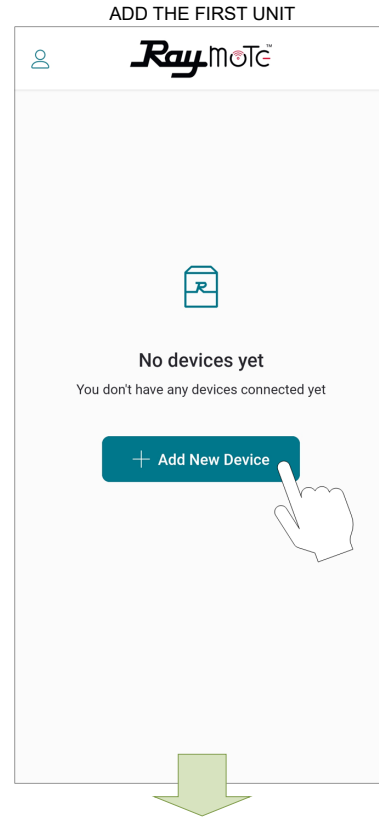


Figure 77. Log in the Raymote Mobile App

Add a New Heater to Raymote

- In the Raymote app, press the menu button  located at the top left corner of the screen, then press "+ Add new device". See **Figure 80**.



Preparing the Unit for Connection

- Stand near the display of the AVIA unit. Press the **CONNECT** key. See **Figure 78**.

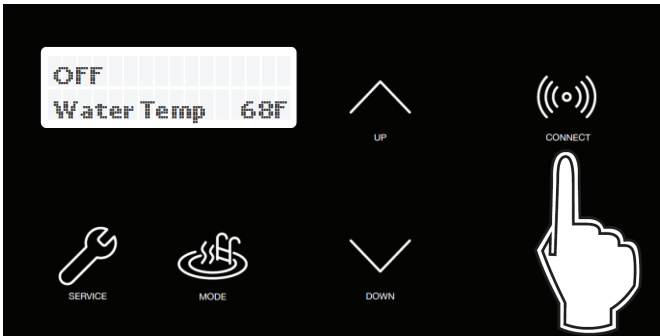


Figure 78. CONNECT Key

- The **CONNECT** menu should display the Wi-Fi State, indicating "Ready to Config" wireless connection, and also the **HOTSPOT** identifier. See **Figure 79**.

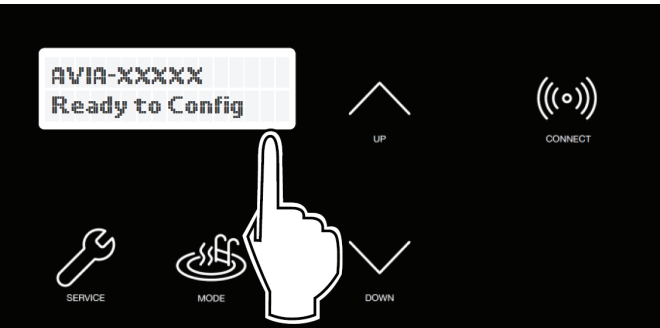


Figure 79. Wi-Fi Ready to Configure and HOTSPOT Identifier

- At this point your unit is ready for connection.

NOTE: The following sections provide the instructions for Android and iPhone devices.

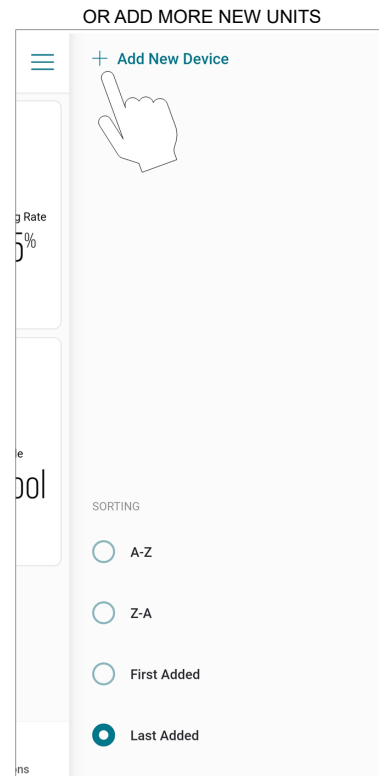
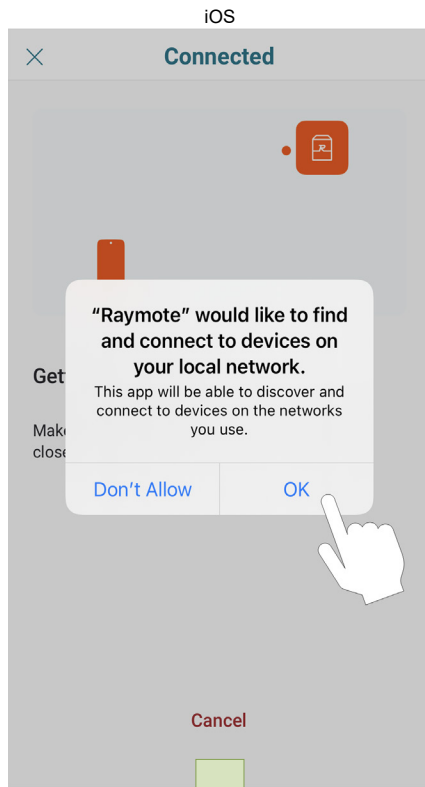


Figure 80. Add New Device

NOTE: The first time you use a new phone, the Raymote mobile app may require you grant permission to access data. See Figure 81.

- "Check your Device" screen will appear. Ensure to have AVIA heater powered and Wi-Fi signal available in the area, then press "Start" button. See Figure 82.



OR ANDROID

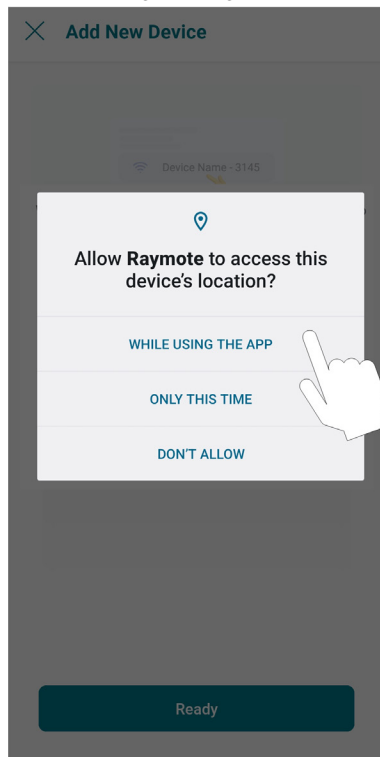


Figure 81. Grant Permission

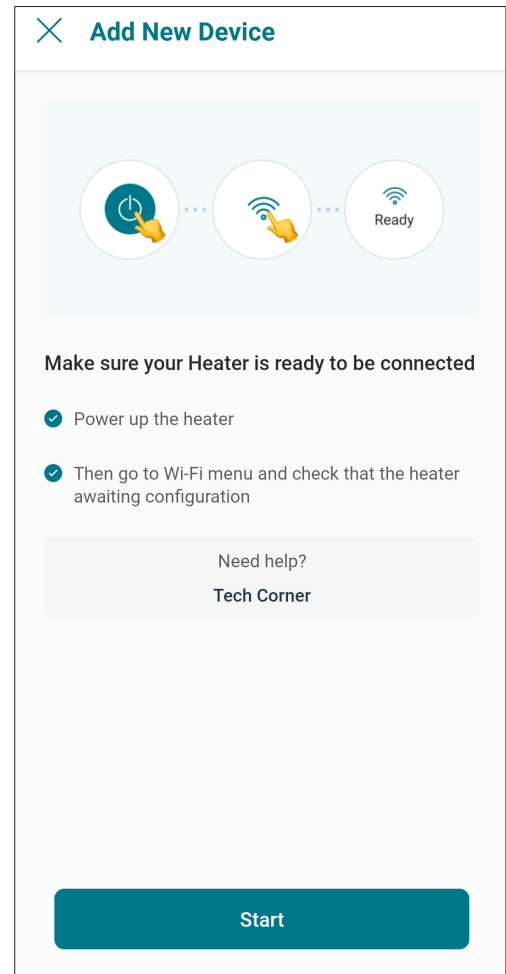


Figure 82. Check your Device

3. **In Android:** Depending on your configuration, one or more devices will appear on the app. Select the HOTSPOT identifier that matches the unit's display as shown in **Figure 83**.

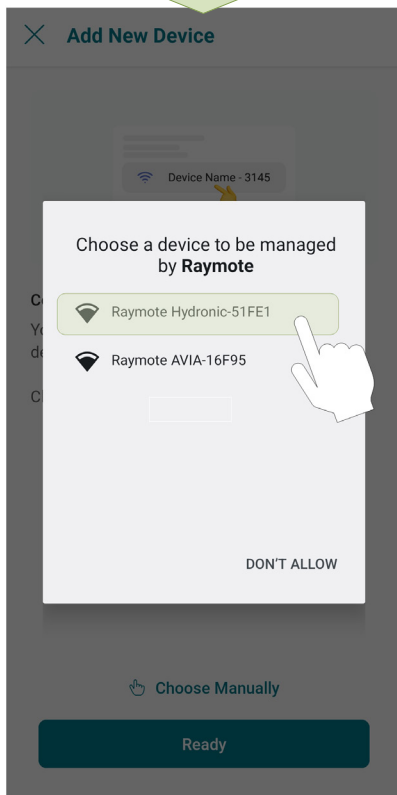
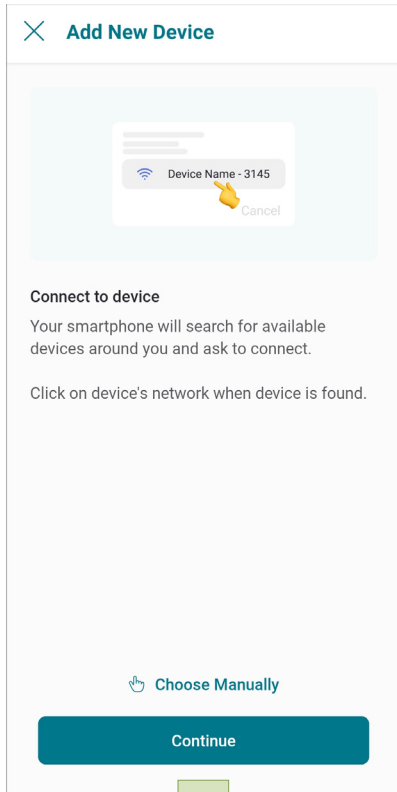


Figure 83. Connect with Android Smart Phone

4. **In iPhone:** Raymote app will start to scan nearby Heaters. If you have multiple units ready to connect, stand closer to the unit you want to connect first. Press "Join" to select the displayed heater that matches the HOTSPOT identifier, or press "Cancel" to start the process again. See **Figure 84**.

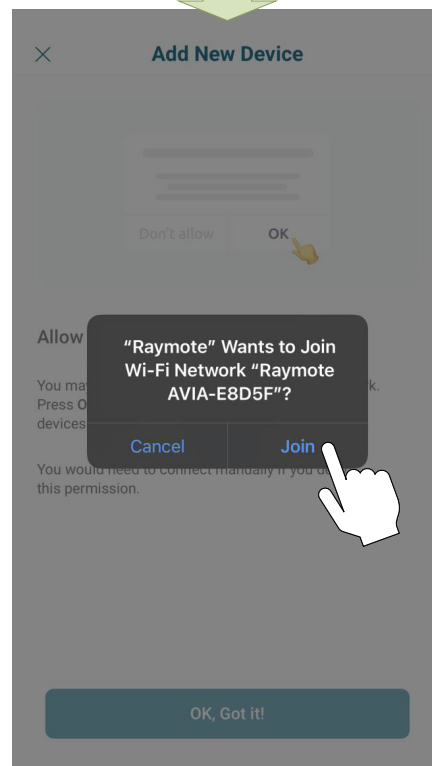
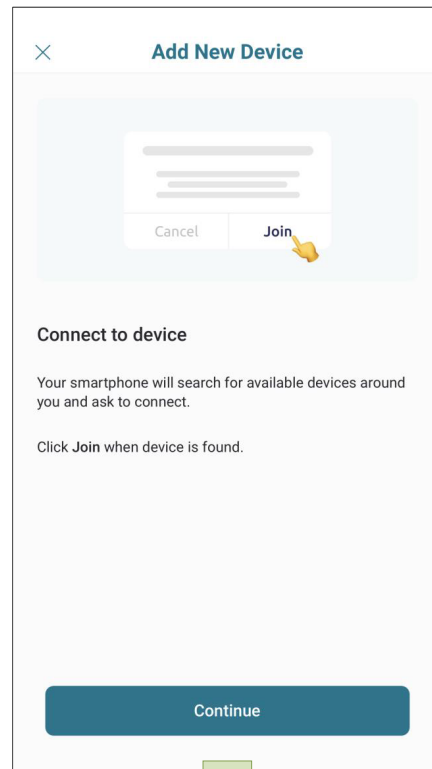


Figure 84. Connecting with iPhone

- The "Wi-Fi setup" screen will appear. Select or enter the Wi-Fi network you want your unit to be connected to and enter the network password. See **Figure 85**.
- Press the "Continue" button to proceed with unit connection.

IMPORTANT: Raymote Wi-Fi module works with 2.4GHz Wi-Fi signals only.
 Ensure to have a strong signal near the Heater, the Wi-Fi password and to use a 2.4 GHz network.
 (IEEE 802.11, 802.11b/g/n/ax).

- Raymote app will provide the Wi-Fi credentials to your unit. This process may take a few seconds. See **Figure 86**.

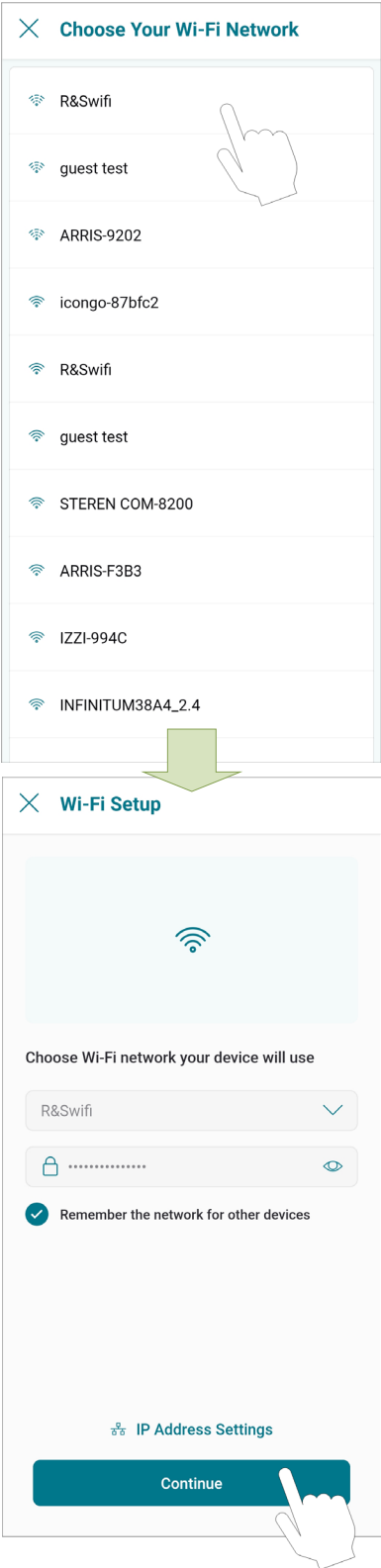


Figure 85. Wi-Fi Setup

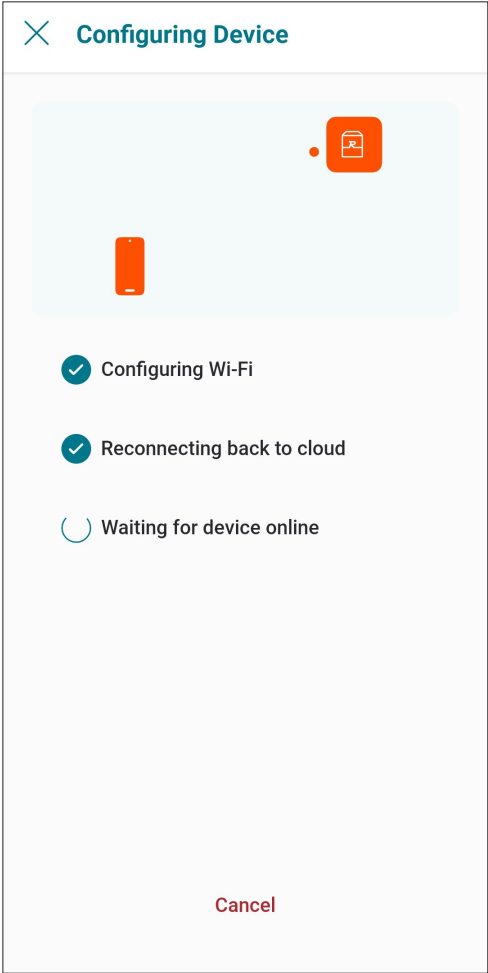


Figure 86. Configuring Device

- Continue in page 58 to AVIA heater setup.

For iPhone 6 and Earlier Versions

1. The "Wi-Fi setup" screen will appear. Select or enter the Wi-Fi network you want your unit to be connected to and enter the network password. See **Figure 87**.
2. Press the "Continue" button.

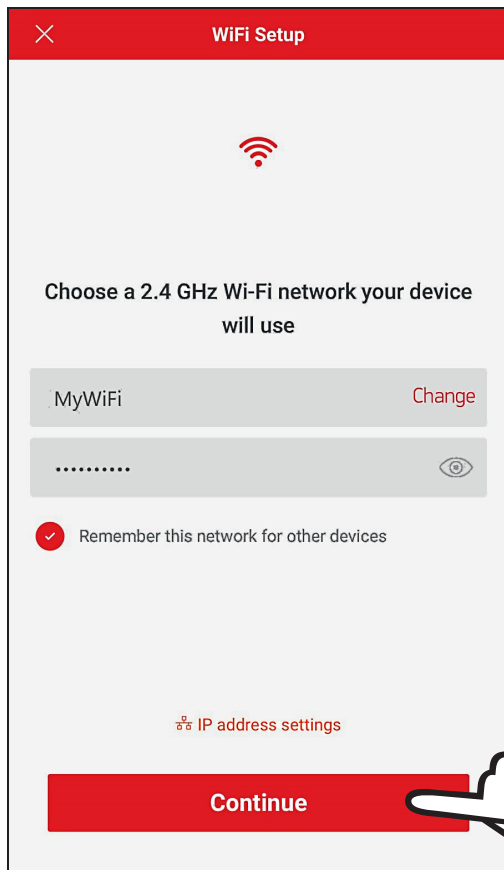


Figure 87. Wi-Fi Setup

3. "Check your Device" screen will appear. Ensure to have AVIA heater powered and Wi-Fi signal available in the area, then press the "Ready" button.

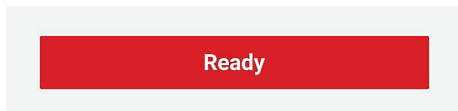


Figure 88. Check your Device

NOTE: The first time you use a new phone, the Raymote mobile app will require you grant permission to access data. See Figure 89.

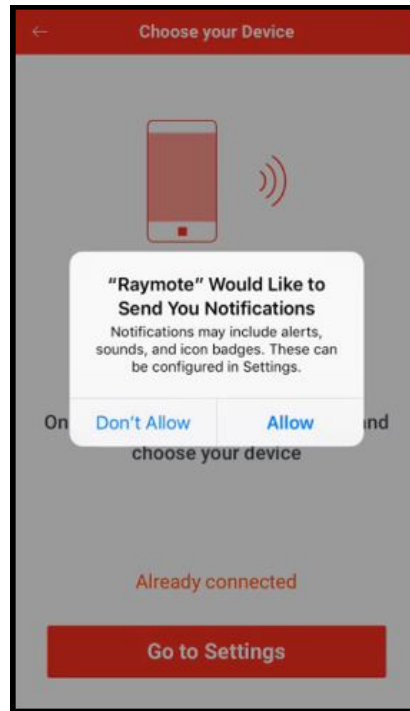


Figure 89. Grant Permission

4. Press the "Go to Settings" button on the "Choose your Device" screen. See **Figure 90**.

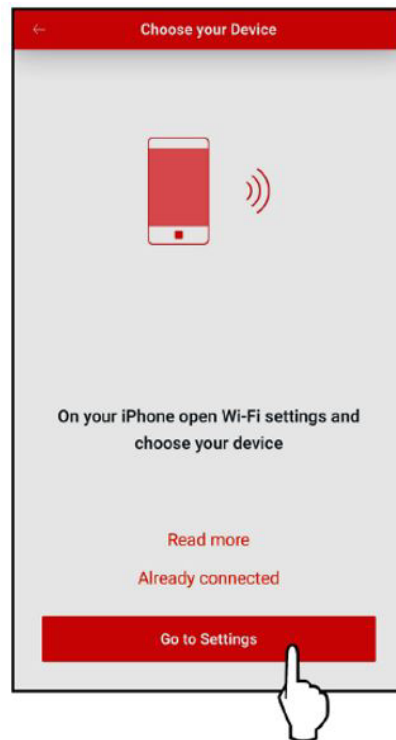


Figure 90. Go to Settings

- On the top left corner of the screen, press the "Settings" button to go the Settings menu. See **Figure 91**.

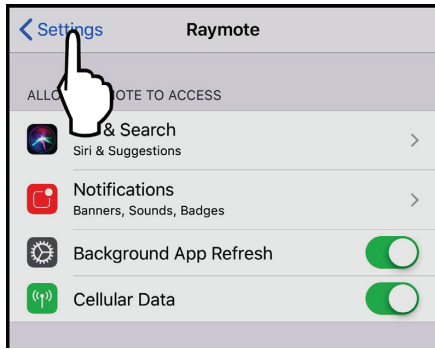


Figure 91. Select "Settings" Menu

- Select the Wi-Fi network on the Settings menu.

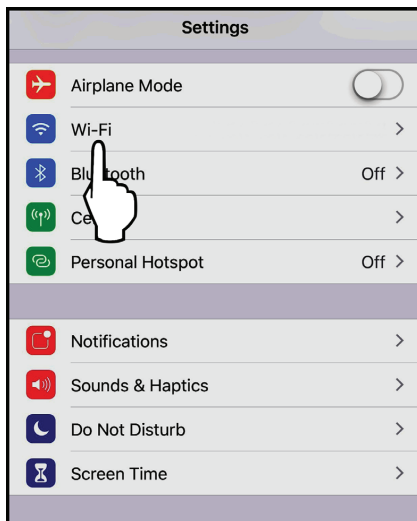


Figure 92. Select "Wi-Fi" Settings

- Select the HOTSPOT identifier that matches the unit's Touchscreen as shown in **Figure 93**.

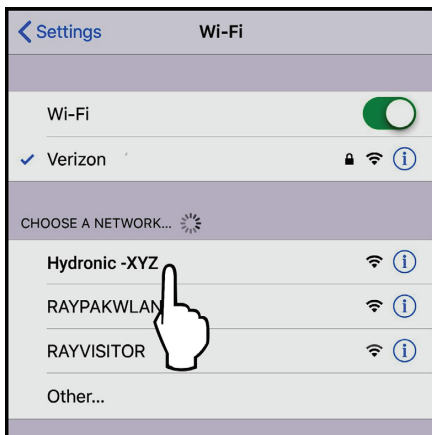


Figure 93. Select the HOTSPOT Identifier

- A notification tab will confirm that iPhone is now connected to the unit. Press the notification tab or manually go back to the Raymote mobile iPhone app to continue. See **Figure 94**.



Figure 94. Connection Notification

- The Raymote mobile app will provide the Wi-Fi network credentials to your unit.

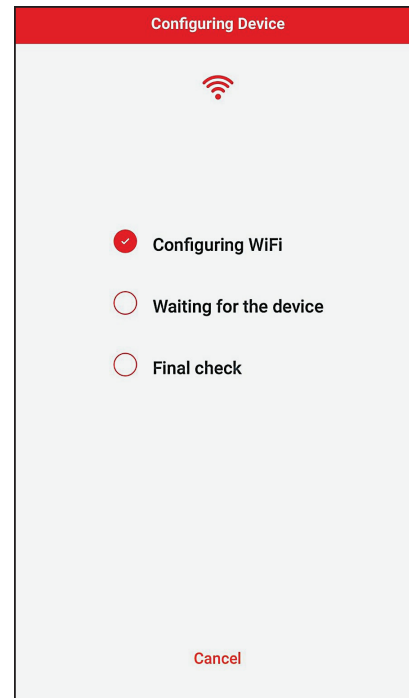


Figure 95. Configuring Device

AVIA Heater Setup

1. Your device is now connected to Wi-Fi. You can change the name of your device here. See **Figure 96**.

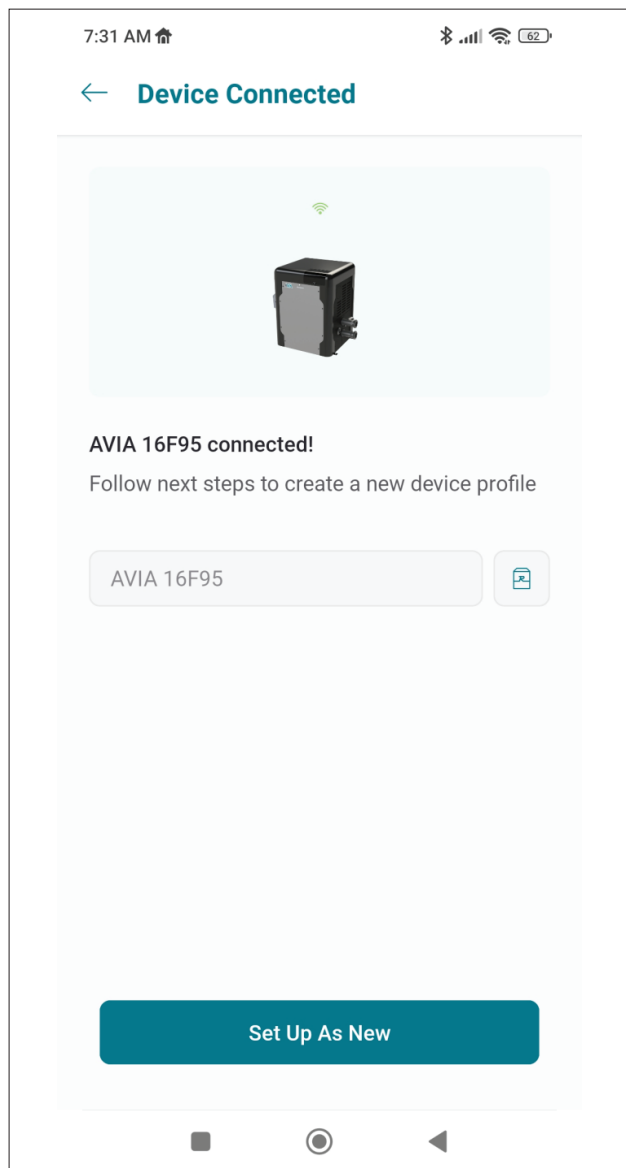


Figure 96. Name Your Unit

2. Press the "Set up as new" button to enter heater location, and other helpful info for future references. Press the "Apply recently used profile" button to use information previously applied to other heaters.
3. During device configuration, basic reference information about the heater will be requested, including service provider, site location, Pool and Spa size. See **Figure 97**.

NOTE: This information can be added at any time from the Raymote mobile app. It is strongly recommended to make sure this information is completed.

4. After completing the Raymote configuration, the unit will start broadcasting data to the Raymote cloud.

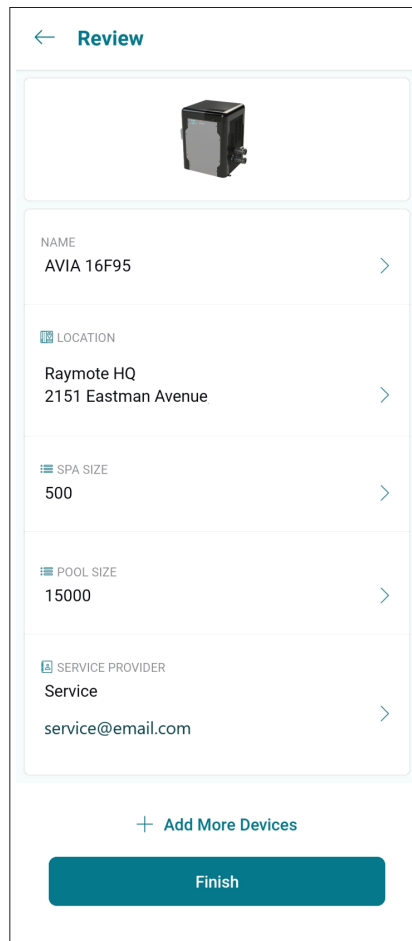


Figure 97. Device Setup Review

12. RAYMOTE MOBILE APP



User and Organization Settings

1. User profile
 - Update your username, email, or password.
 - Edit or delete your Raymote account.
2. Raymote App settings
 - Adjust app preferences for notifications and appearance.
3. Organization Settings
 - Review and Update your Raymote organization settings.
 - Add, edit, or remove Members with access to your Raymote organization.
 - For Raymote client accounts, share access to your Raymote organization with a Contractor with an active Raymote Partner account.

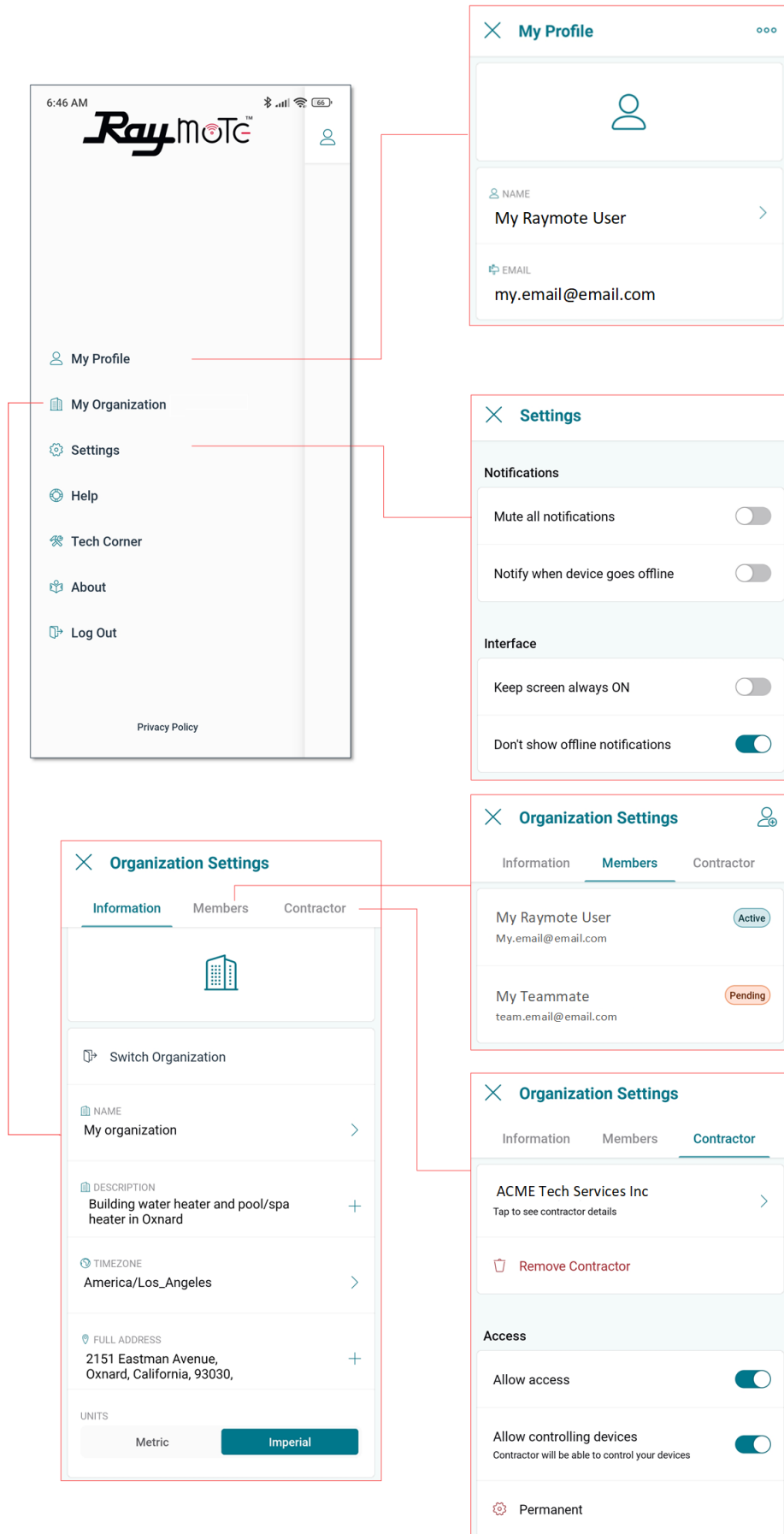


Figure 98. Settings - Client Accounts

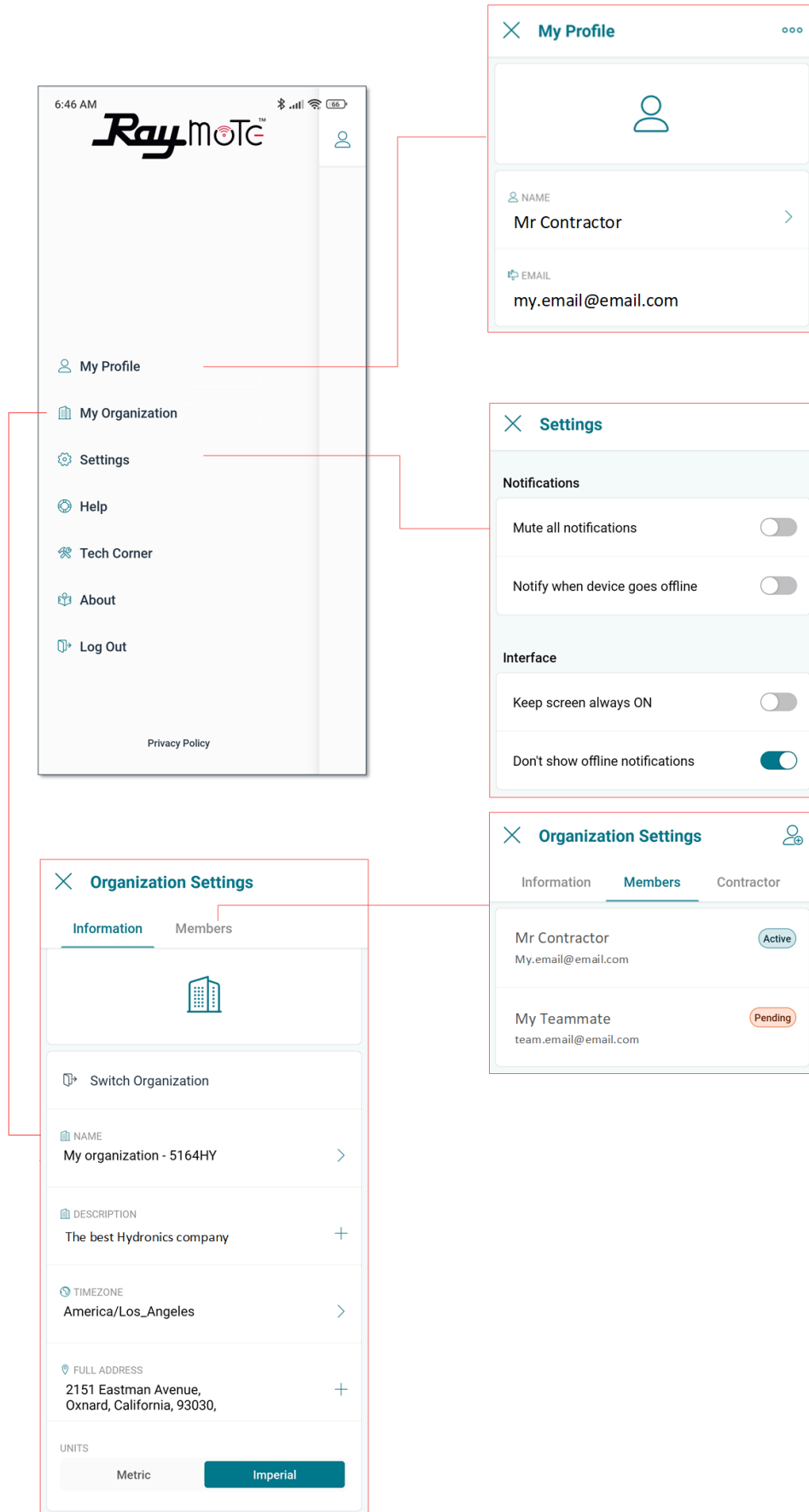


Figure 99. Settings - Partner Accounts

Help and Tech Support

Raymote App provides direct access to technical support for Raypak heaters, service kits, I&O manuals and Raymote topics:

1. Raymote Help

- In-App access to Raymote Online resources and technical contents.

2. Tech Corner

- In-App access to Raypak Tech Corner collection. You can find here detailed instructions for Raypak products and service kits.

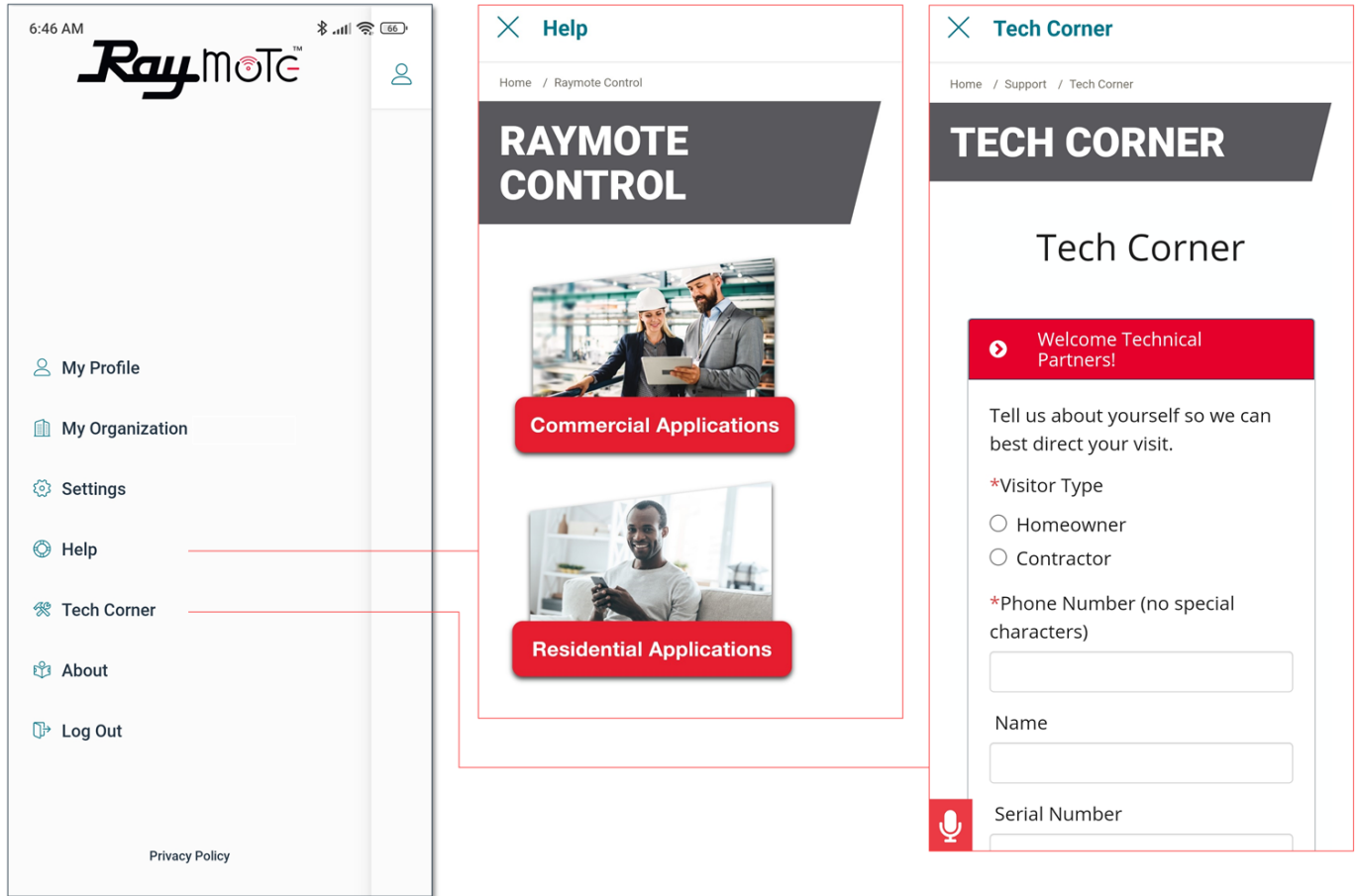


Figure 100. Help and Tech Support

Main View

- The main view of Raymote display a list of the heaters added in to your Raymote Organization.
- Each heater is represented by a tile with its name and an overview of the heater operation parameters.
- Raymote organization list can handle 1 or multiple Commercial and Residential Raypak heaters equipped with Raymote.

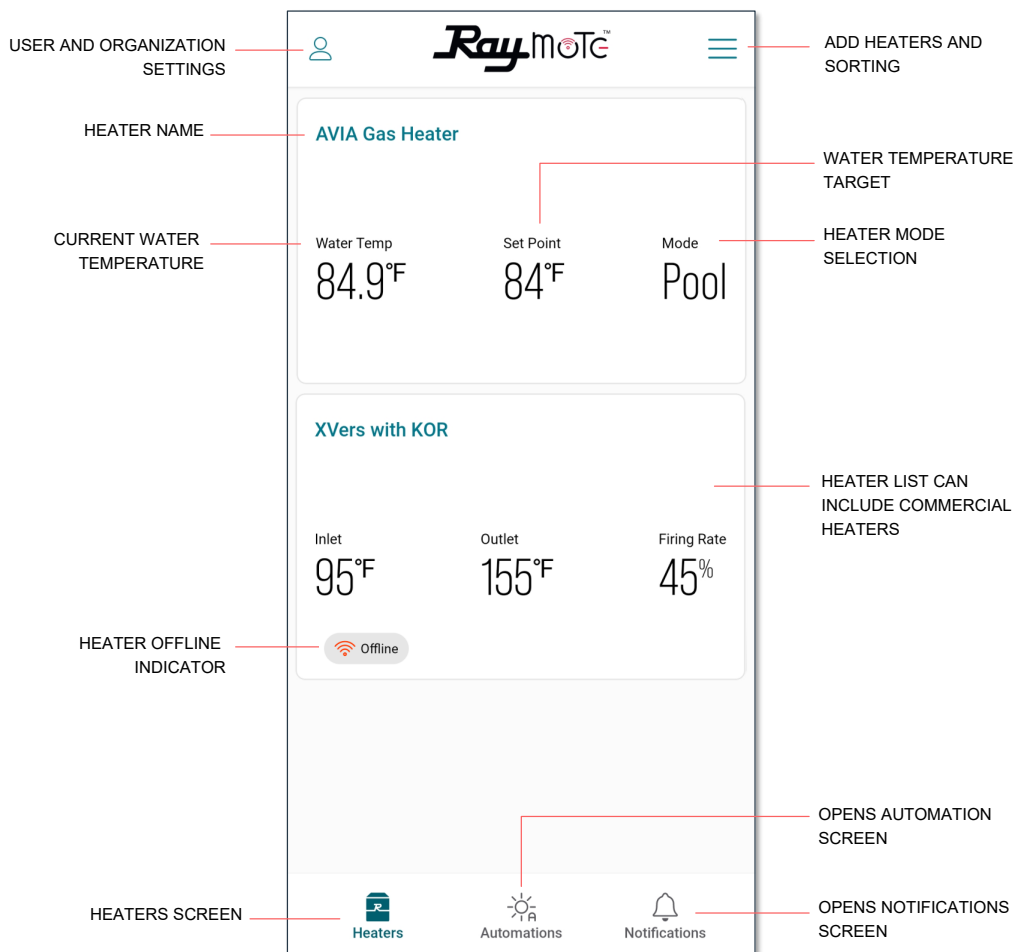


Figure 101. Main View - Heaters List

Heater Name

- Heater name is defined during the Heater connection and setup, but it can be changed anytime from the heater settings.

Water Temp

- The water temperature measured by the heater is displayed in this field. Water Temp varies with the ambient temperature, pumps and heaters operation.

Setpoint

- Setpoint is the goal temperature for the heater. It can be adjusted from the AVIA control board or directly from Raymote.
- Heater start a call for heat when Water Temp is 1 degree Fahrenheit or more, below the setpoint and operation Mode is POOL or SPA.
- Heater terminate heat when Water Temp is equal or greater the setpoint temperature, or when Mode is changed to OFF.

Mode

- Mode field displays the current operation mode selected.
- POOL mode use an independent setpoint.
- SPA mode use an independent setpoint.
- In OFF mode the heater is operational but is maintained in standby until mode changes to POOL or SPA.

Offline Indicator

- The offline indicator is displayed only when the Heater can not be detected online.
- Offline status can be cause by a heater disconnected from power, Wi-Fi signal weak or not available, or due to any change in Wi-Fi signal name or password.
- Check the Connectivity Troubleshooting section for details on how to recover or reconnect a heater to Raymote.

Automation

Raymote automation offers the ability to select Heater parameters and customize a specific condition that could trigger a notification or an action to update a parameter. See **Figure 102** and **Figure 103**.

NOTE: Use your smartphone camera to access detailed instructions for Auxiliary output scheduling with Raymote. <https://www.raypak.com/support/tech-corner/raymote-automation/>

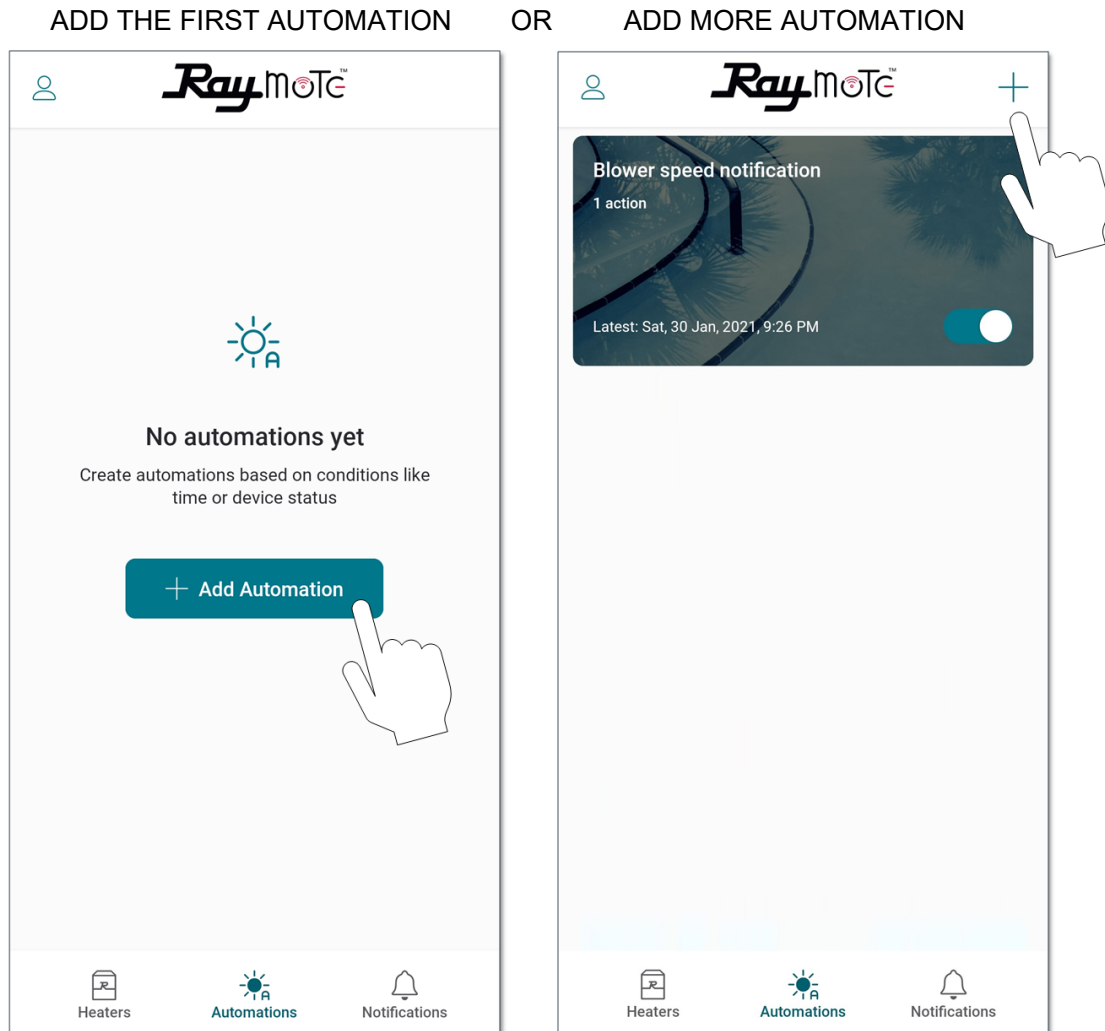
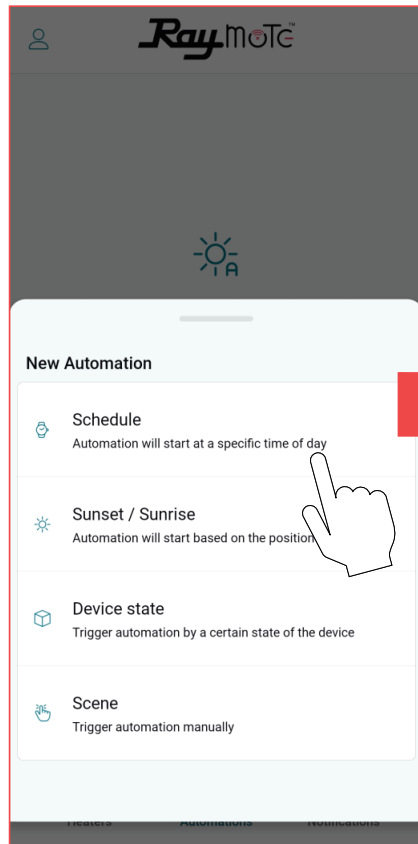
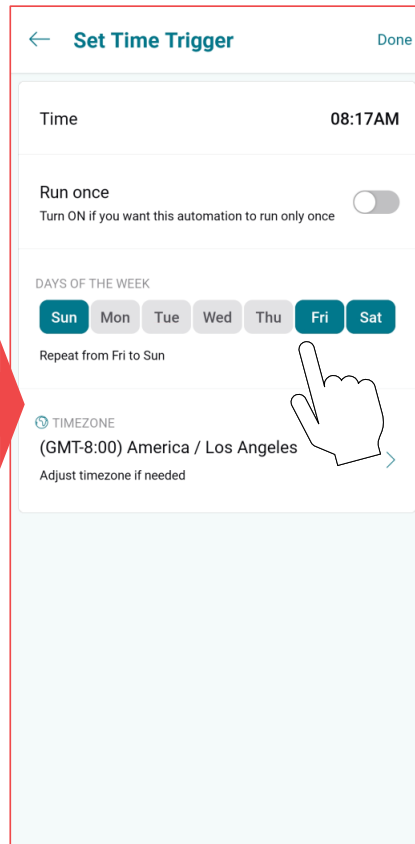


Figure 102. Automation

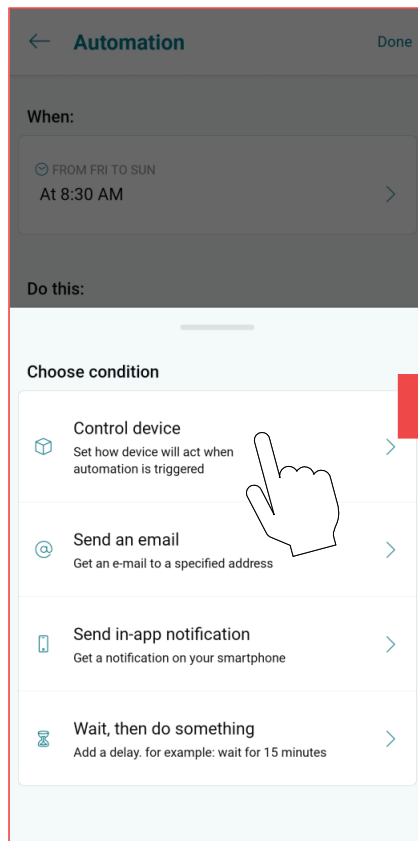
SELECT A TRIGGER



CONFIGURE TRIGGERING



SELECT AN ACTION



CONFIGURE THE ACTION

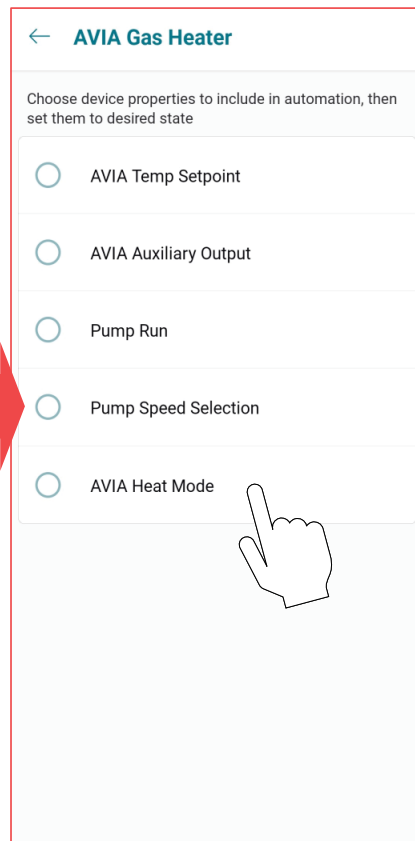


Figure 103. Set New Automation

Pool-Spa Mode Screen

The Mode Screen contains the main controls for the heater. Operation mode and setpoint can be selected from this screen.

This screen also provides the water temperature sensed by the heater, as well as its current operation status. See **Figure 104**.

NOTE: When OFF is selected, the setpoint slider is disabled.

NOTE: When the unit is controlled with remote mode, the OFF, Pool and Spa buttons are disabled in the App.

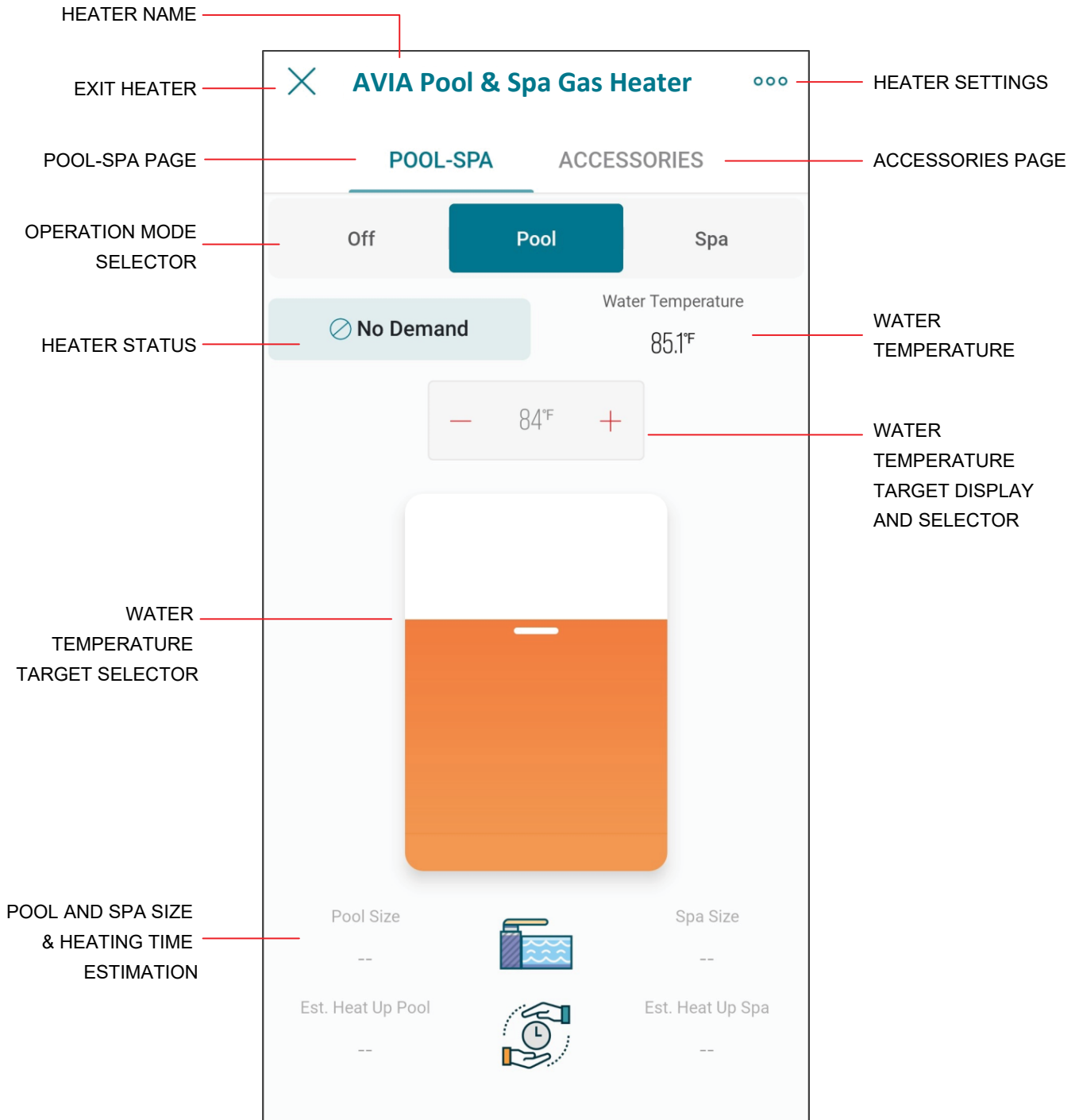


Figure 104. AVIA Controls

Heater Name

- Heater name is defined during the Heater connection and setup. It can be changed anytime from the Heater settings.

Exit Heater

- Press X to close Heater view and return to heaters list.

Heater Settings

- The 3-dot icon opens Heater settings.
- Use this option to edit the parameters defined during heater configuration.

POOL-SPA page

- Displays the page to control the operation mode and water temperature target.

ACCESSORIES page

- Displays the page to control Heater Accessories.

Operation Mode selector

- This 3-button selector can be used to change the operation mode in the Heater.
- Use OFF option to stop heating. In this mode the heater is operational but is maintained in standby until mode changes to POOL or SPA.
- Use POOL or SPA mode to set a Water Temperature target.
- POOL and SPA mode use an independent temperature target for each mode.

Heater Status

- This display shows the current operational status of heater.
- No Demand is displayed when the unit is in OFF mode or when Water Temperature is equal or above the temperature target.
- Pre-Purge is displayed when a new heating cycle starts and the heater is getting prepared for ignition.

- Spark is displayed during the ignition trial.
- Heating is shown when unit has established a solid flame and the unit is heating.
- Post-Purge is displayed when the demand-for-heat is terminated and unit is getting cooled down.

Water Temperature

- The water temperature measured by the heater is displayed in this field.

Setpoint or Target Temperature

- The water temperature setpoint display and selector shows the water temperature target.
- Heater start to hear when Water Temperature is 1 degree Fahrenheit or more, below the setpoint and operation Mode is POOL or SPA.

Setpoint slider selector

- The setpoint slider can be used to make quick changes to the water temperature target.
- Selection can be fine-tuned with the [+] and [-] buttons in the setpoint display and selector.

Pool and Spa size

- The Pool and Spa size displays shows the size selected in the configuration of the heater when connected to Raymote.
- These parameters can be updated from the Heater Settings page.

Pool and Spa estimated Heat up time

- These fields displays an estimated heat up time based in the provided Pool and Spa size, the current water temperature and the water target temperature.
- Technical restrictions apply to this estimation.

Accessories Screen

The accessories screen includes the auxiliary and extended heater controls in the Raymote mobile app. These controls allow users to command an Auxiliary relay that can be wired to turn on and off a pump, lights or water features.

This screen also provides control to Raypak Protege variable speed pump when connected to the heater. See **Figure 105**.

⚠ WARNING: Only authorized users have access to remotely control the heater, do not provide credentials to unauthorized users.

⚠ WARNING: Check "Auxiliary Output Control" section for details of wiring and rating of the built-in auxiliary relay.

Some controls are application dependent and may not be available on all units. When a control or set of controls are not available, these will be grayed out.

Raymote controls will reflect the actual status of the value on the local unit. When a change is applied to any control item, the position of the selector will reflect the confirmation value of the setting. See **Figure 105**.

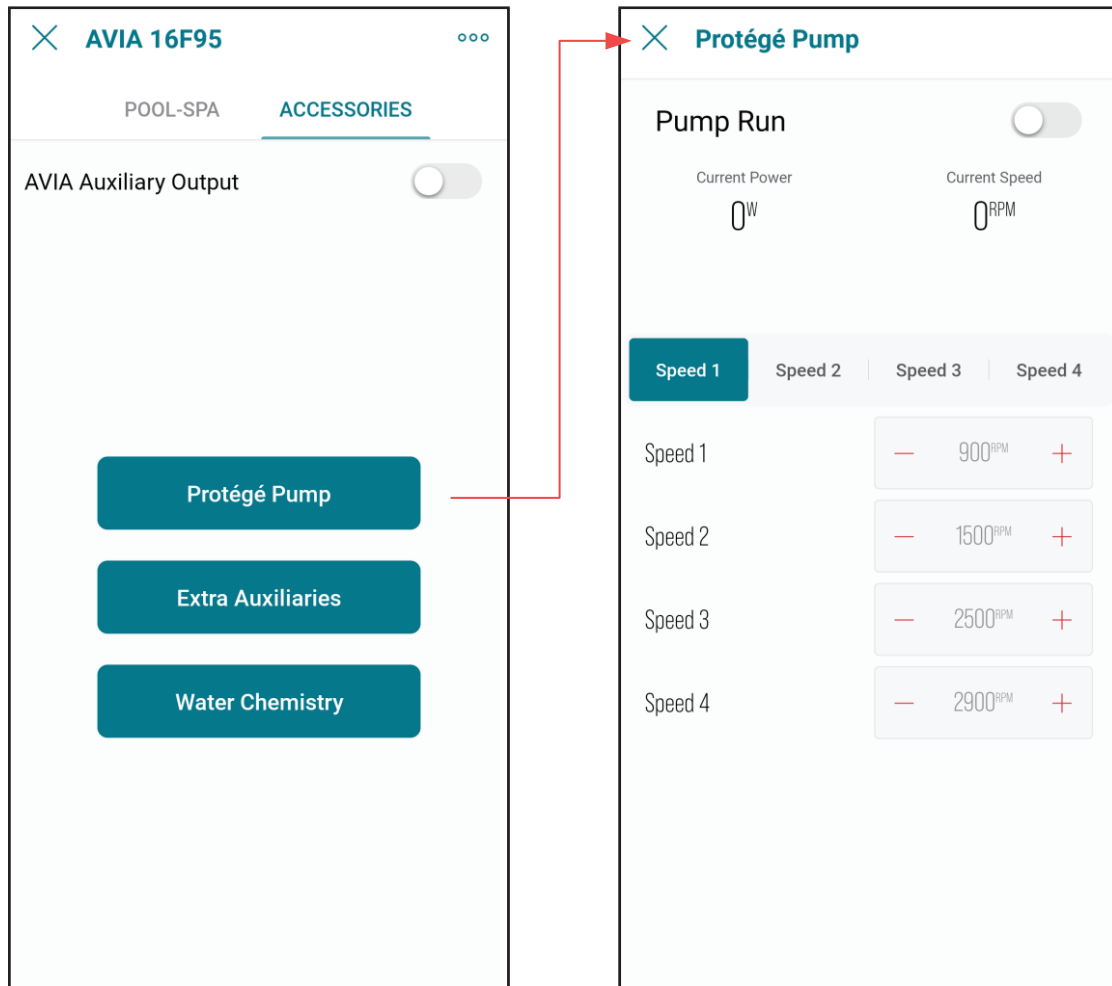


Figure 105. AVIA Accessories

NOTE: Use your smartphone camera to open QR link below to access the latest instructions and detailed technical support for Raymote and AVIA: <https://www.raypak.com/support/tech-corner/raymote/>



Reset Wi-Fi Credentials

Resetting the Wi-Fi is useful when the heater is trying to connect to a Wi-Fi signal that is not available or has been changed.

NOTE: After resetting Wi-Fi credentials, the heater needs to be manually connected again to Wi-Fi to work with Raymote features. Ensure to reconnect as existing unit in Raymote app or add it as a new device.

1. Press and hold the CONNECT key for 5-seconds.

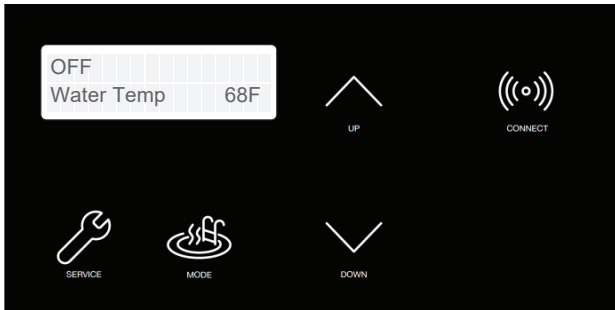


Figure 106. Wi-Fi Reset – Press and Hold CONNECT

2. The Display shows “Reset Wi-Fi?” In the top row and “No” in the second row.
3. To cancel and exit, press MODE.



Figure 107. Wi-Fi Reset Menu

4. To proceed with reset, press UP key.
5. Second row now shows “Yes”.

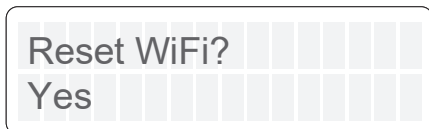


Figure 108. Wi-Fi Reset Confirmation

6. Now press Mode key to reset.
7. “Wi-Fi Initialized” message is displayed.

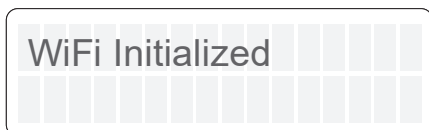


Figure 109. Wi-Fi Reset Completed

8. Now Connect again or reconfigure an existing heater.

Reconnect to Wi-Fi

Follow the next steps to reconnect a Heater already registered in Raymote, to a new Wi-Fi network or after a change of Wi-Fi password.

1. Select the device that needs to be reconfigured.
2. Press the 3-dots button on top-right corner to open unit settings.

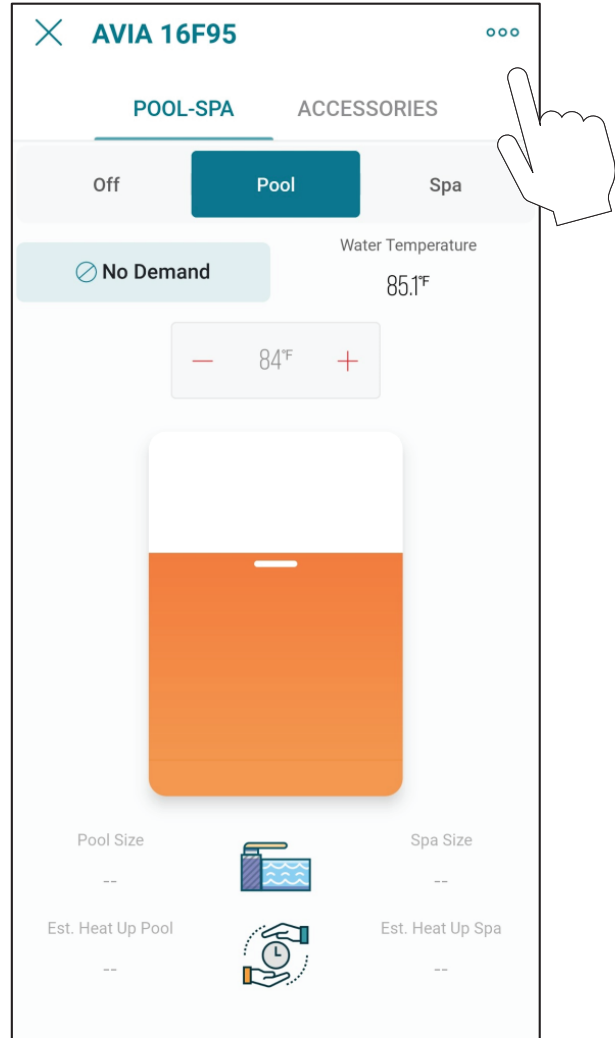


Figure 110. Open Unit Settings

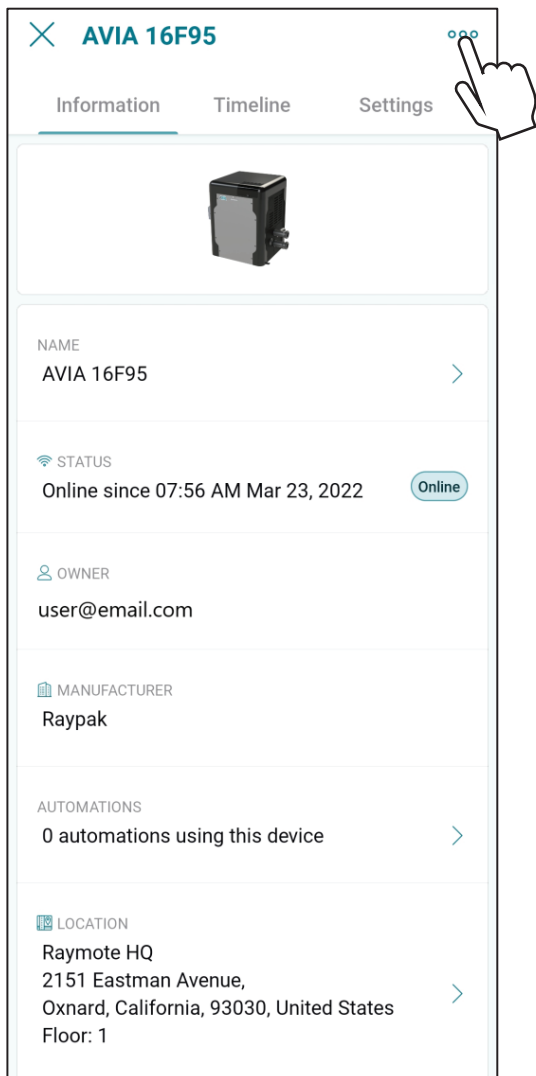


Figure 111. Heater Settings Screen

3. Click in the 3-dots icon again. The action menu is displayed. In “Actions” menu, select the option “Reconfigure”.

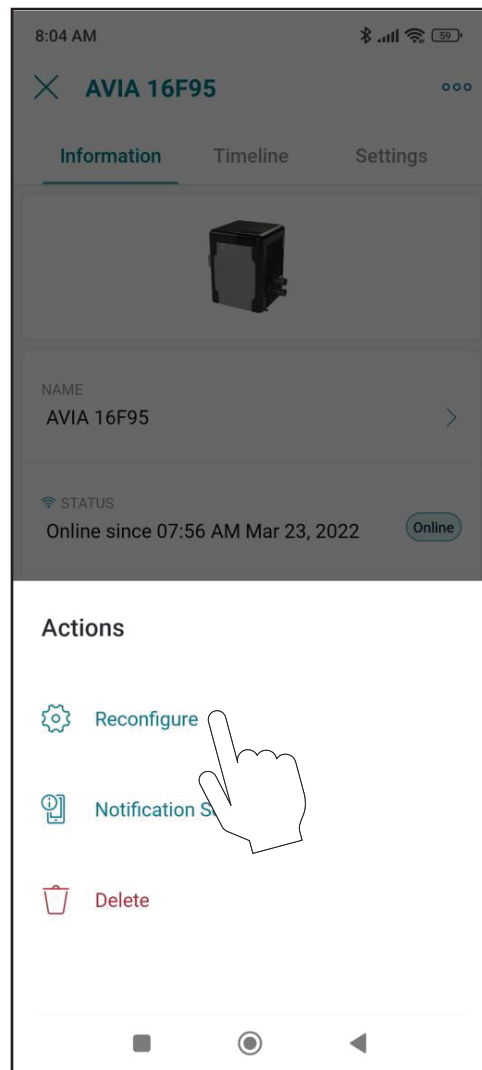


Figure 112. Select Reconfigure

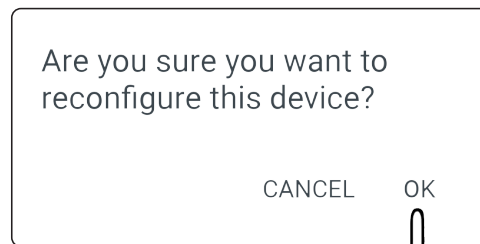


Figure 113. Confirm Selection

- "Check your Device" screen will appear. Ensure to have the heater powered and Wi-Fi signal available in the area, then press "Ready" button. See **Figure 114**.

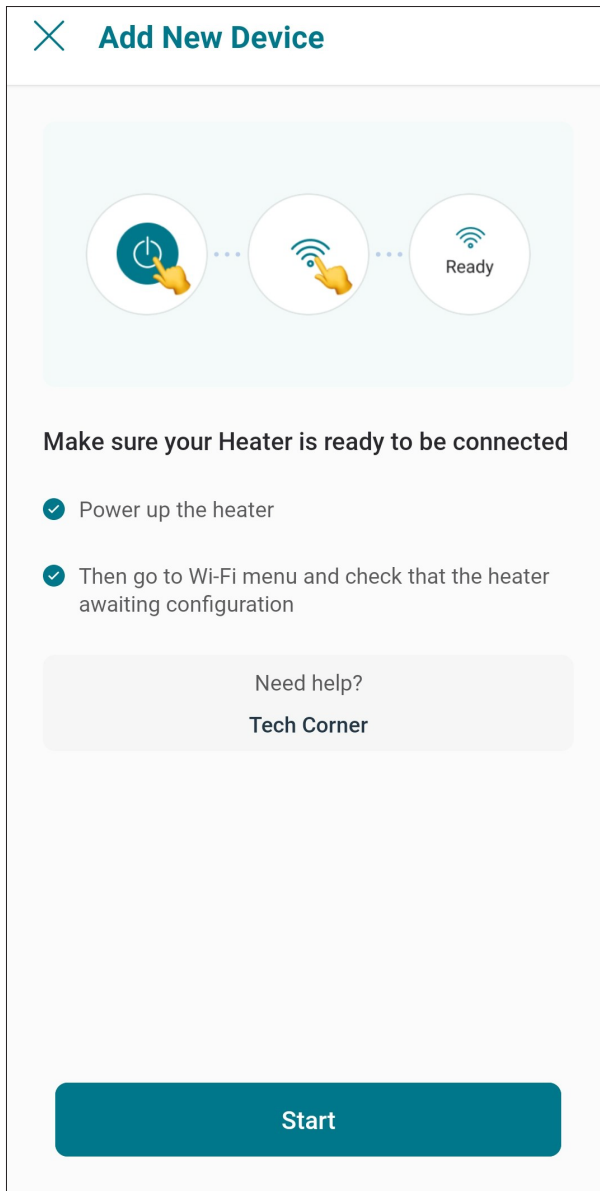


Figure 114. Check your Unit

- In Android:** Depending on your configuration, one or more devices will appear on the app. Select the HOTSPOT identifier that matches the unit's display as shown in **Figure 115**.

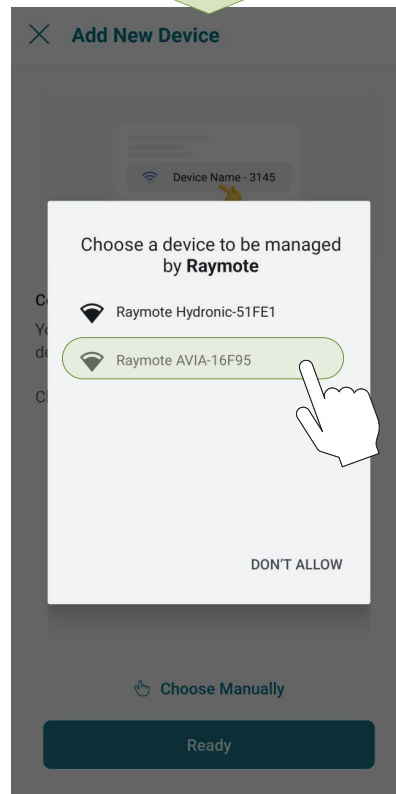
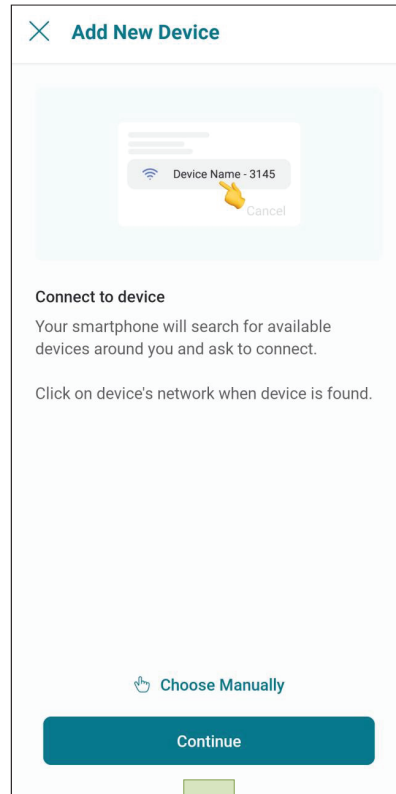


Figure 115. Connect with Android Smart Phone

- In iPhone:** Raymote app will start to scan nearby Heaters. If you have multiple units ready to connect, stand closer to the unit you want to connect first.

Press "Join" to select the displayed heater that matches the HOTSPOT identifier, or press "Cancel" to start the process again. See **Figure 116**.

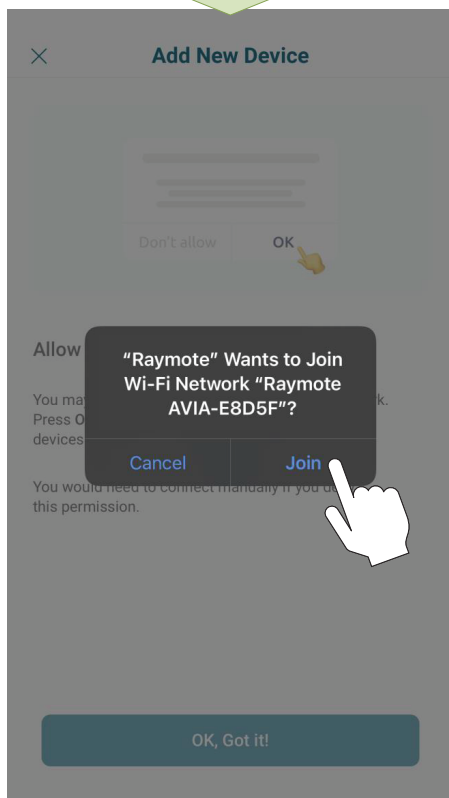
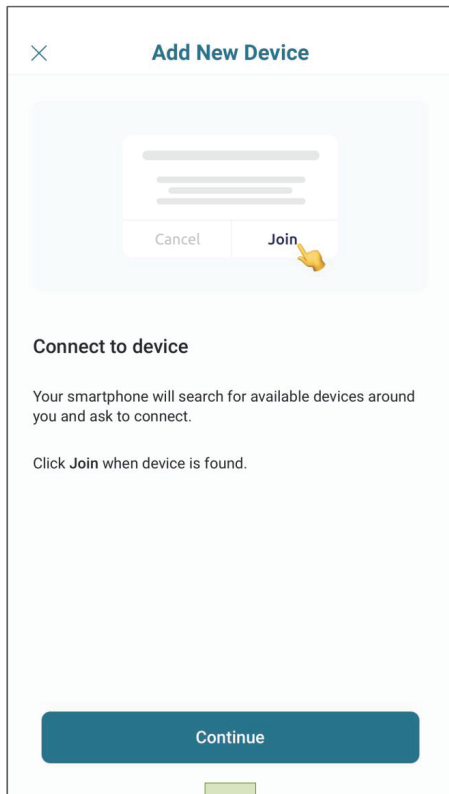


Figure 116. Connecting with iPhone

7. The "Wi-Fi setup" screen will appear. Select or enter the Wi-Fi network you want your unit to be connected to and enter the network password. See **Figure 117**.
8. Press the "Continue" button to proceed with unit connection.

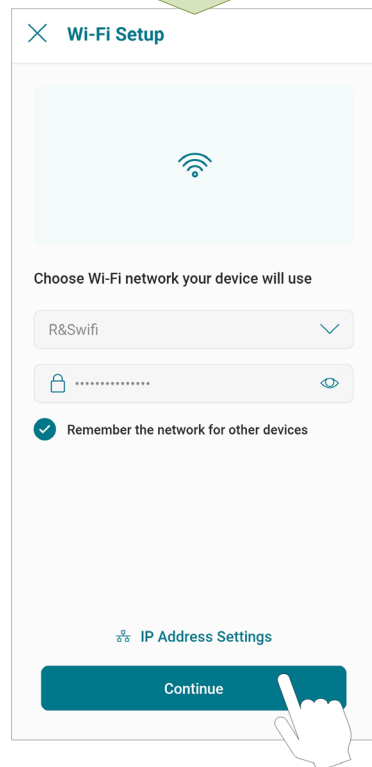
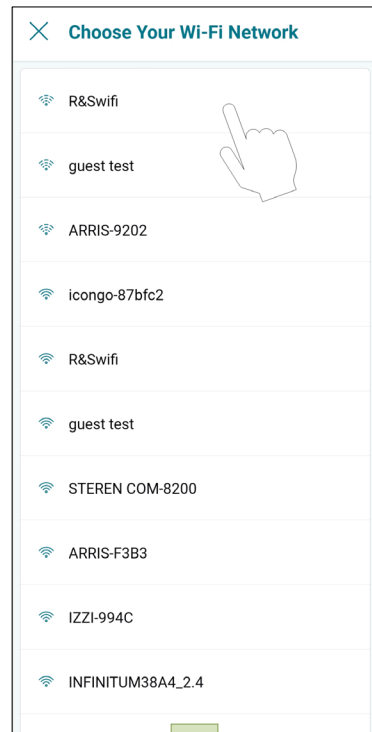


Figure 117. Wi-Fi Setup

IMPORTANT: Raymote Wi-Fi module works with 2.4GHz Wi-Fi signals only.

Ensure to have a strong signal near the Heater, the Wi-Fi password and to use a 2.4 GHz network.

(IEEE 802.11, 802.11b/g/n/ax).

9. Raymote app will provide the Wi-Fi credentials to your unit. This process may take a few seconds. See **Figure 118**.

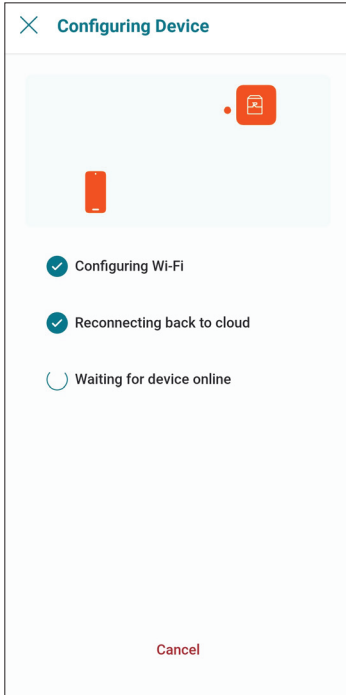


Figure 118. Configuring Device

10. Your device is now connected to Wi-Fi.

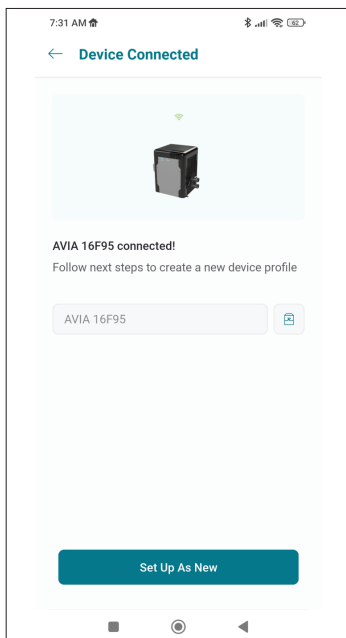


Figure 119. Name Your Unit

11. Press the "Set up as new" button to enter unit location, and other helpful info for future references. Press the "Apply recently used profile" button to use information previously applied to other heaters.

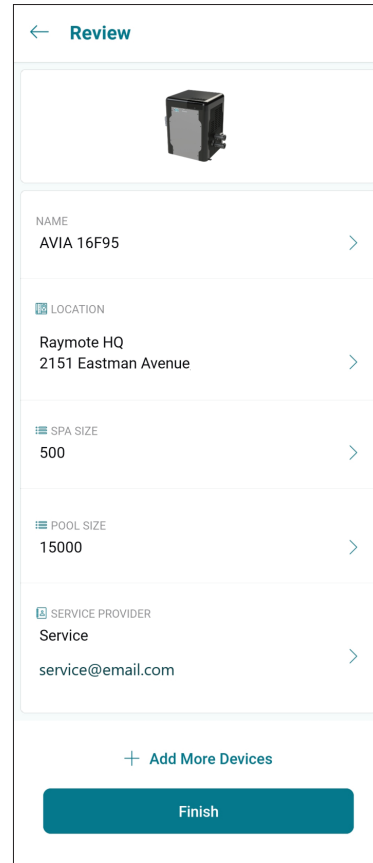


Figure 120. Device Setup Review

12. After completing the Raymote configuration, the unit will start broadcasting data to the Raymote cloud.

Add a New User to your Organization

- As the Organization owner, you can add members of your family, friends and others that will be able to interact with your Heaters.

- In Raymote Partner accounts, you can add members of your company to gain access to Heaters and Clients registered within your Organization.

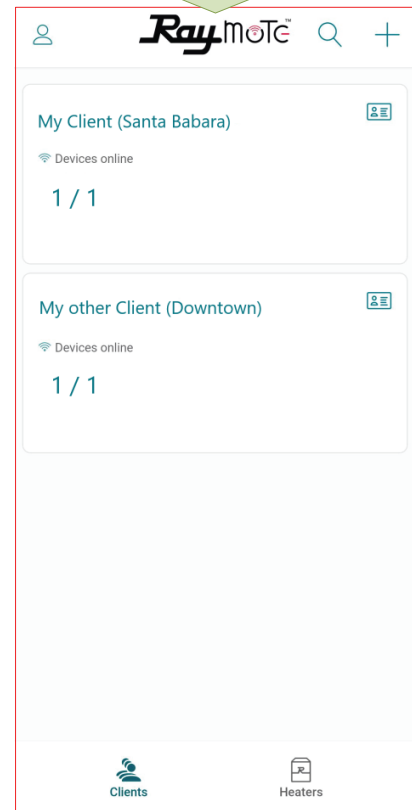
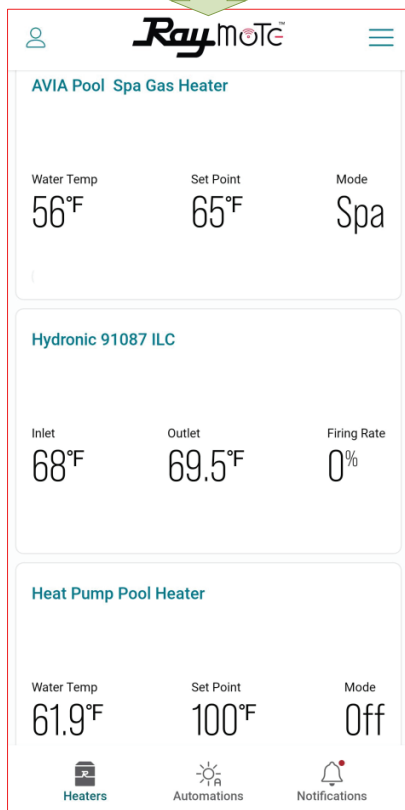
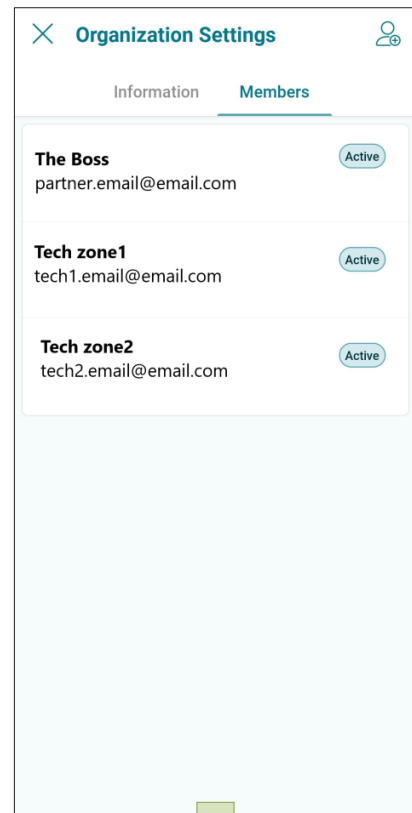
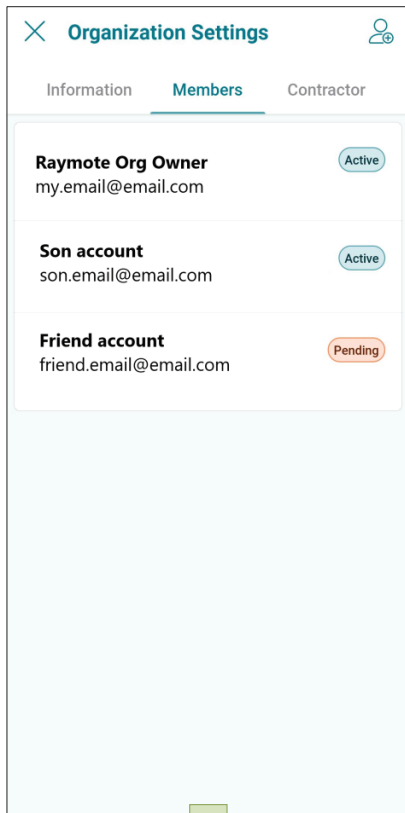


Figure 121. Organization Members Share Access to Heaters

Figure 122. Partners Accounts with Multiple Clients

Add a Member to your Organization

1. In your smartphone open Raymote app.
2. Click on top-left "User menu". Then, select "My Organization" option.

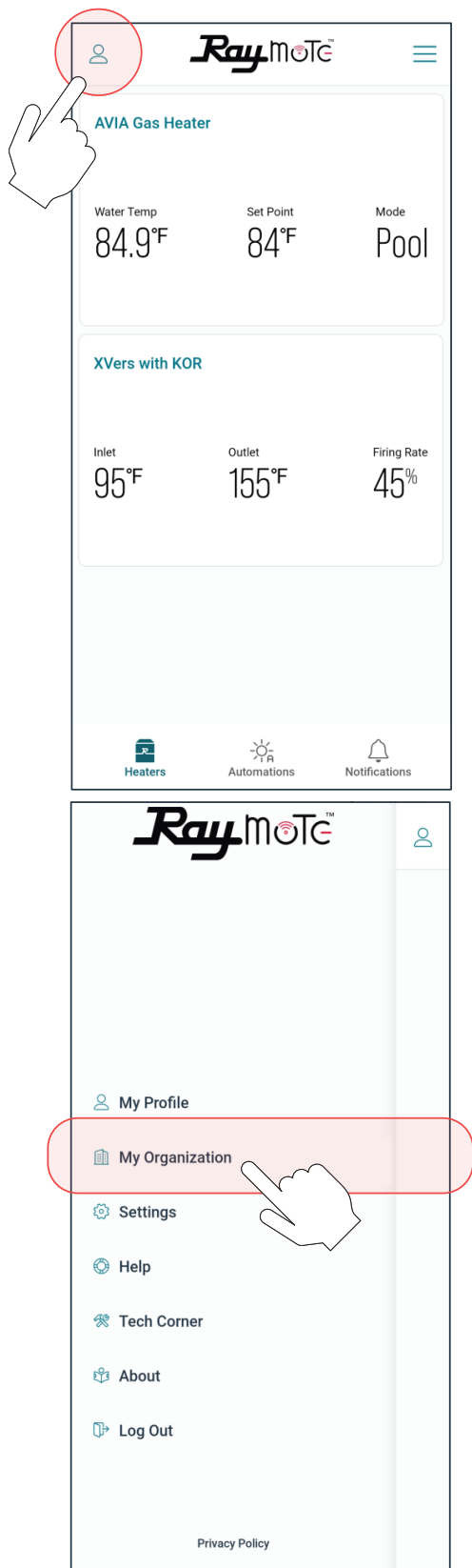


Figure 123. Select Organization Option

3. Go to "Members" tab. Member's list is displayed.
4. Click on the top-right icon to [Invite a New Member].

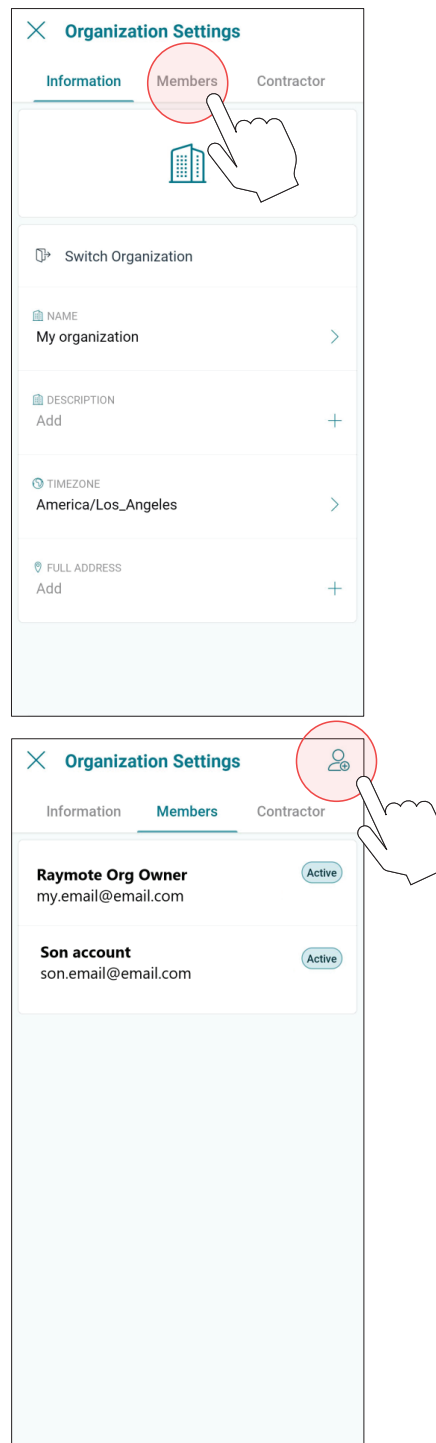


Figure 124. Invite a New Member to your Organization

5. Fill the invitation with new member's email, name, and role. Based on your selection, the new member can have different permits in your organization.
6. Click in the top-right icon to complete and send the invite. An email will be sent to the New Member to create a new Raymote user associated to your organization.

Client Accounts: Invite a Contractor

By inviting a Contractor or Distributor, you are giving access to Heaters available in your organization to a third-party organization.

You can condition the access to your invited contractor as follows:

- For monitoring only.
- To monitor and control your heaters.
 - o Access can be permanent or restricted to a certain period.

1. In your smartphone, open Raymote App.
2. Click on top-left "User menu".
3. Then, select "My Organization" option.

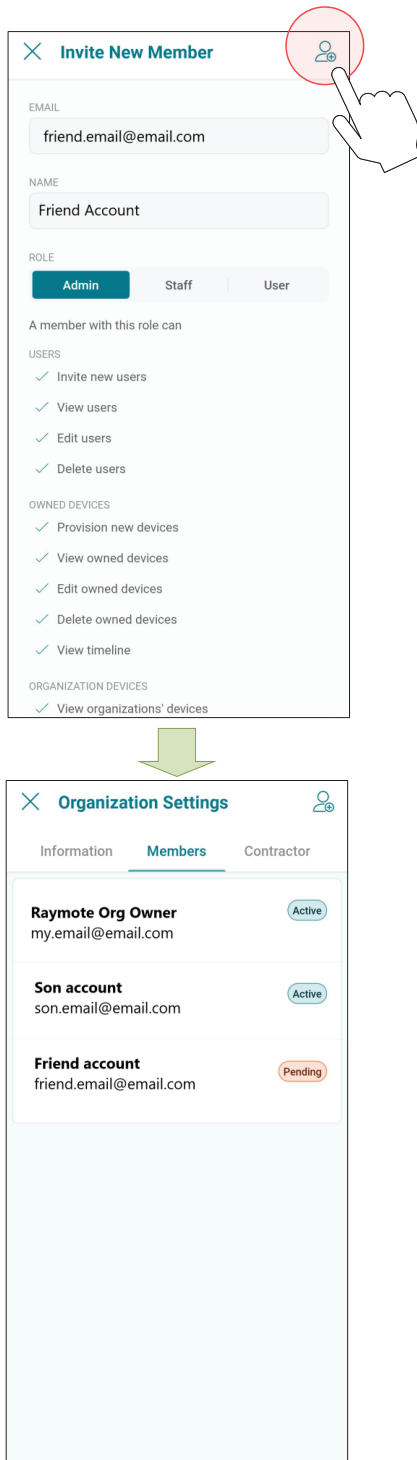


Figure 125. Invite a New Member

7. **IMPORTANT:** To complete the invitation, the new member needs to create a password from Raymote email invitation, to access your Raymote Organization.

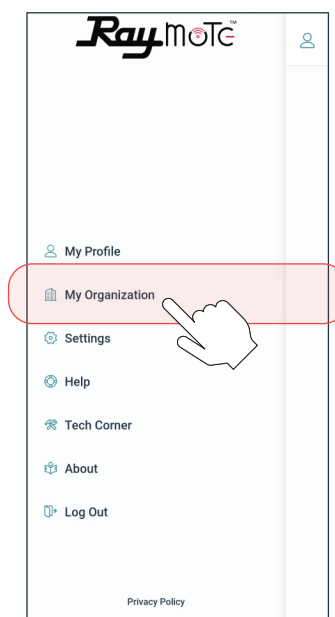
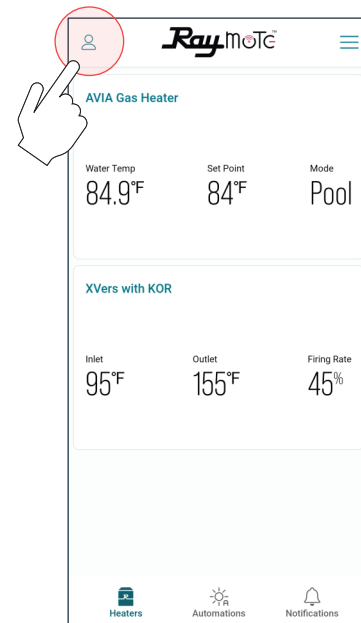


Figure 126. Select Organization Option

4. Organization Settings page is displayed.
5. Go to **[Contractor]** tab, and press [Invite Contractor].

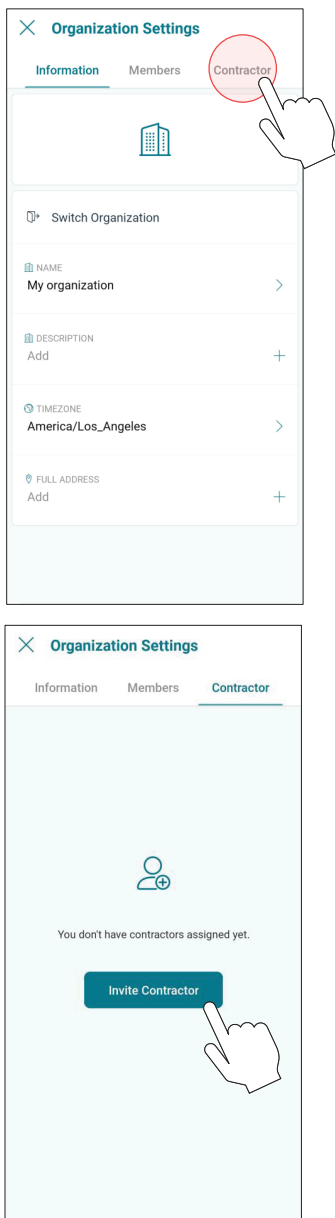


Figure 127. Click on “Invite Contractor”

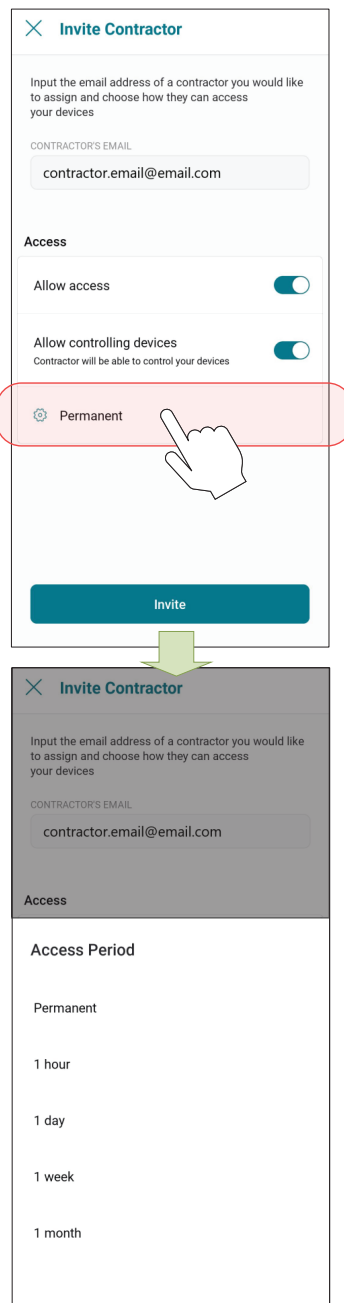


Figure 128. Enter Contractor Email and Access Level

IMPORTANT: Contractor must have an active Raymote “Partner” account to be able to connect your account with the contractor’s account.

6. Add your contractor’s email and select the access options as needed:
 - **Allow access** - Allows the contractor to monitor your heaters.
 - **Allow controlling device** - Contractor can make changes to your heater configuration and create automation routines.
 - **Access Period** - Defines for how long the contractor can monitor or interact with your heaters.

7. When ready, press **[Invite]**. An invitation/request will be sent to the contractor's Raymote account. When ready, press **[Invite]**. An invitation/request will be sent to the contractor's Raymote account.
8. **IMPORTANT:** To complete the invitation process ask your contractor to accept the request directly from their Raymote App account.
9. When done, you can always edit the permissions, remove the contractor, or cancel the invitation in Organization’s settings, **[Contractor]** page.

Partner Accounts: Invite new Clients

With a Raymote Partner account, “Contractor” or “Distributor”, you can:

- Invite and Manage New Clients
- Connect and configure your clients' heaters
- Monitor and Control Residential and Commercial heaters
- Create automation Routines and Alerts for your clients
- Invite Members to your Organization

1. In your smartphone, open Raymote App.
2. Click on bottom-left [Clients] icon.
3. Now, press [New Client] button or top-right [+] icon.

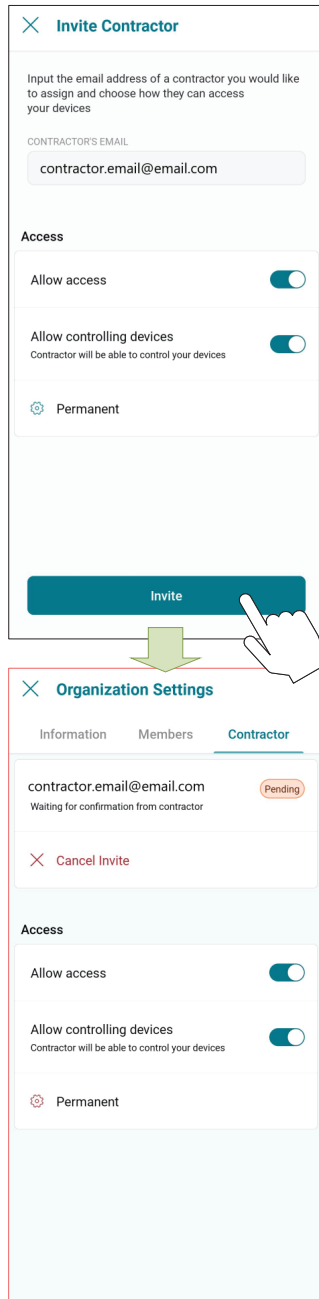
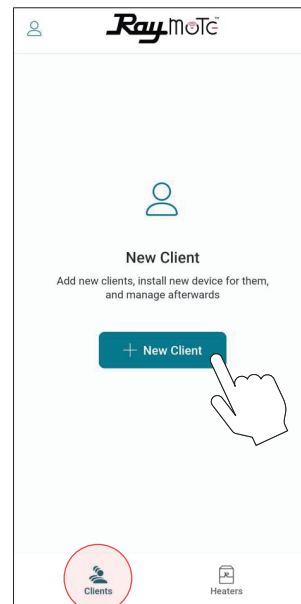


Figure 129. Send the Invite

NOTES:

- “Invite a contractor” option is only available for Raymote Client accounts.
- Contractor must have a Raymote Partner account to get requests from Client accounts.
- Raymote Partner accounts can invite only new clients to Raymote. If the client already has a Raymote account, ask the client to send a request from “Contractor” option.



OR



Figure 130. Add a New Client to Raymote and your Organization

4. Fill New Client form with your client's email, name, and address.
5. When ready, press **[Create new client]**. An Raymote invite email will be sent to your new client.

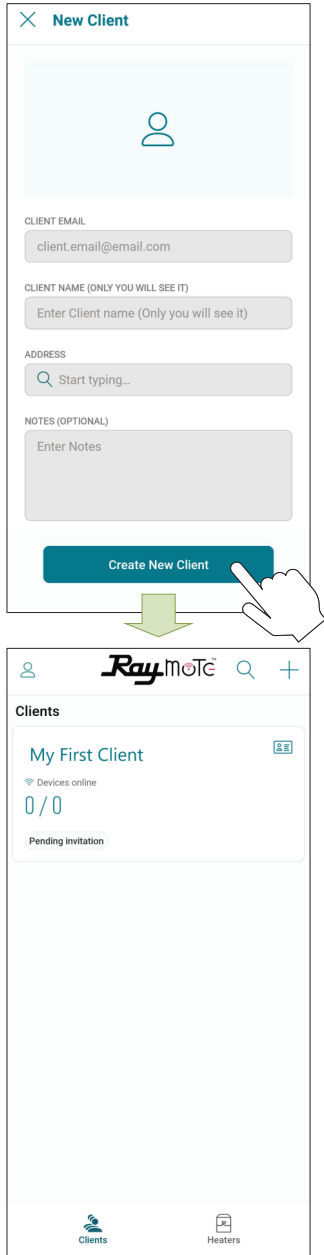


Figure 131. Enter Client Email and Invite

6. Ask your **Client** to create a new Raymote account from the email invite.
7. You can access your client's heaters by clicking in each client tile.

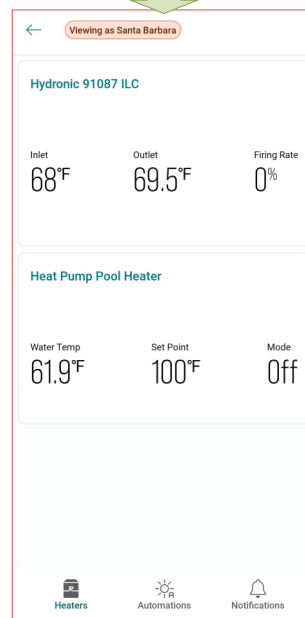
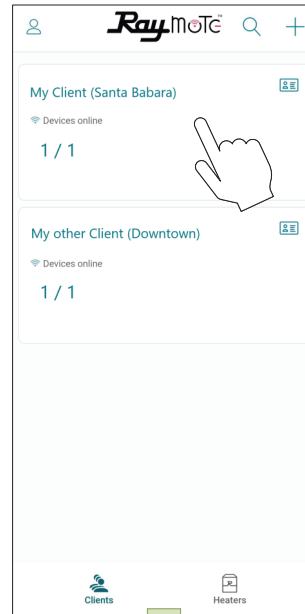


Figure 132. Access your Client's Heaters

NOTES:

•“Add New Client” option is only available for Raymote Partner accounts.

•Raymote Partner accounts can invite only new clients to Raymote. If the client already has a Raymote account, ask the client to send a request from “Contractor” option.

Switch to other Organizations

If your Raymote organization has 1 or more sub organizations, you can switch to other organization by using the Organization tree or search function.

1. Open the main menu by clicking the top left icon. See **Figure 133**.
2. On the main menu, click on the “Organization” option. See **Figure 134**.

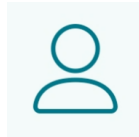


Figure 133. User Menu

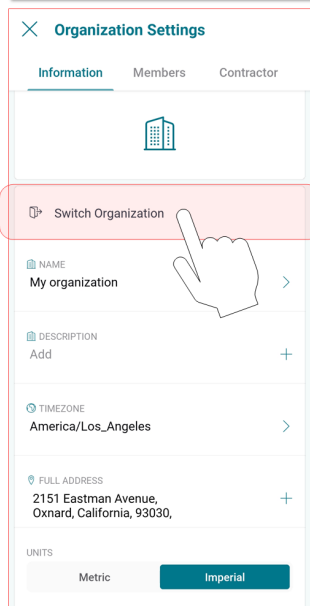
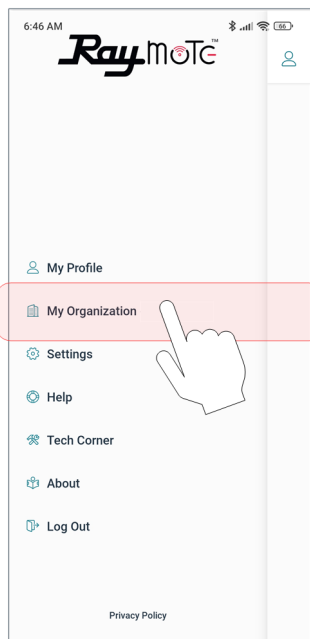
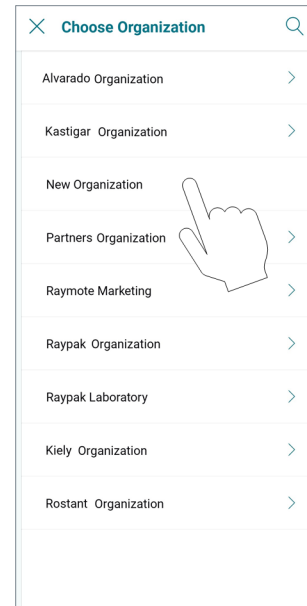


Figure 134. Switch Organization

3. In "Organization Settings" page, select "Switch organization" option.
4. “Choose organization” screen will be displayed and it will show all the available organizations. Navigate the sub Organization list or use the search tool to locate desired organization. See **Figure 135**.



OR

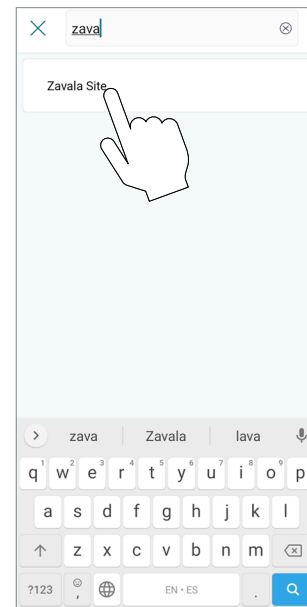


Figure 135. Choose Organization

Connectivity Troubleshooting

1. With your cellphone check that Wi-Fi signal is available next to the unit. Ensure that your Wi-Fi network meets these specifications:

- Supported Networks - Wi-Fi **2.4GHz** (802.11 b/g/n).
- Password encryptions - WEP, WPA, WPA2.
- Wi-Fi signal icon of 2 bars (-60dB) or better at heater location.







	Signal [dB]	Quality
	≥ -30	Excellent
	-50	Very Good
	-60	Good
	-70	Limited
	-80	Bad
	-90	Unreliable

Figure 136. Wi-Fi Signal

2. Use the built-in Wi-Fi network options in your cellphone or use a Wi-Fi network scanner app like **Fing Network Scanner** for iPhone or **Wi-Fi Analyzer** for Android smart phones, to check signal strength.

If you are having troubles connecting your Heater to the Raymote app, try these common solutions:

- Check that Wi-Fi signal name and password are correct.
- In case of a change, proceed to Reset Wi-Fi credential from Heater Touchscreen and reconnect the heater with Raymote app.



Figure 137. Reset Wi-Fi Credential

3. Check that your Wi-Fi signal strength is strong enough to reach the heater.

- Reduce distance between Wi-Fi router and the heater.
- Add a Wi-Fi range extender to cover heater zone or enable a new Wi-Fi access point.

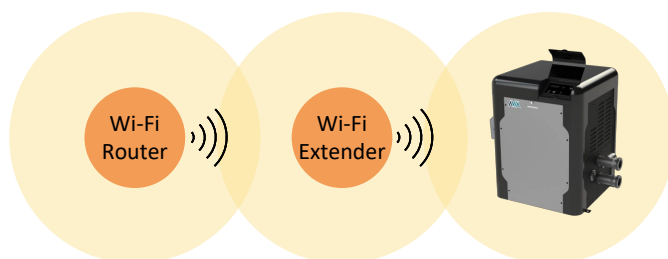


Figure 138. Wi-Fi Extender

4. Update Raymote app to the latest version.



Figure 139. Update Application

5. Power-cycle your heater and restart Raymote app.



Figure 140. Restart Raymote

6. Check the settings on your router or Wi-Fi access point.

- If needed, enable a dedicated 2.4 GHz network. 5GHz signals are not compatible with Raymote.
- When applicable, ensure to have the permissions from IT or Building manager.
- Check if MAC address whitelisting is required.
- Check if Static IP is required.



Figure 141. Wi-Fi Access Point Settings

13. AUXILIARY CONTROL OUTPUT

NOTE: Use your smartphone camera to access detailed instructions for Auxiliary output scheduling with Raymote. <https://www.raypak.com/support/tech-corner/raymote-automation/>



The AVIA heater offers an integrated dry contact relay for local and remote control of ON/OFF devices like pumps, water features, valves and lights.

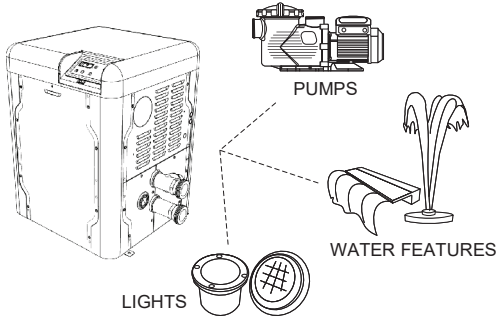


Figure 142. Device Relay Integration

Auxiliary output is available in terminal P9 “AUX”. Use the supplied harness to control ON/OFF functions or power switching.

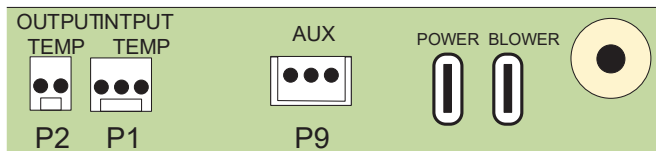
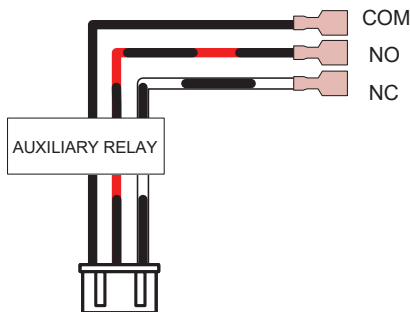


Figure 143. Auxiliary Terminal

AUX terminal can be used as direct control or as pilot relay to a higher rating relay or power contactor. **Table S** describes Auxiliary output terminals and ratings.

Terminal	Wire	AC Rating	DC Rating
Common	Black	250V Max, 3A	30V Max, 3A
Normally Open	Black and Red		
Normally Closed	Black and White		

Table S. Auxiliary Terminals and Ratings

CAUTION: Do not exceed Auxiliary relay rating. Check power requirements of any electric component connected to this device, following the applicable installation norms and requirements.

Use the knockout holes located next to water inlet panel to route auxiliary harness inside the cabinet to the controller board. See **Figure 144**.

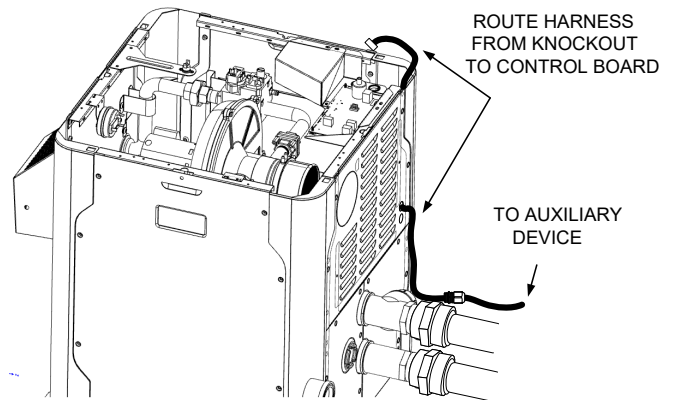


Figure 144. Route Communication Harness

It is recommended to use a 1/2" NPT liquid tight cord grip inserted in the panel knockout hole for better sealing.

NOTE:

- P9 Auxiliary is a dry contact output: It requires external power supply to energize connected devices. See Figure 145.
- Load on P9 must not exceed 3 Amps. If the load is larger than 3 Amps, use P9 auxiliary output to drive a field-installed contactor. See Figure 147.

The built-in Auxiliary output (P9) is a dry-contact relay output that can be used as a switch to control valves, lights and other devices.

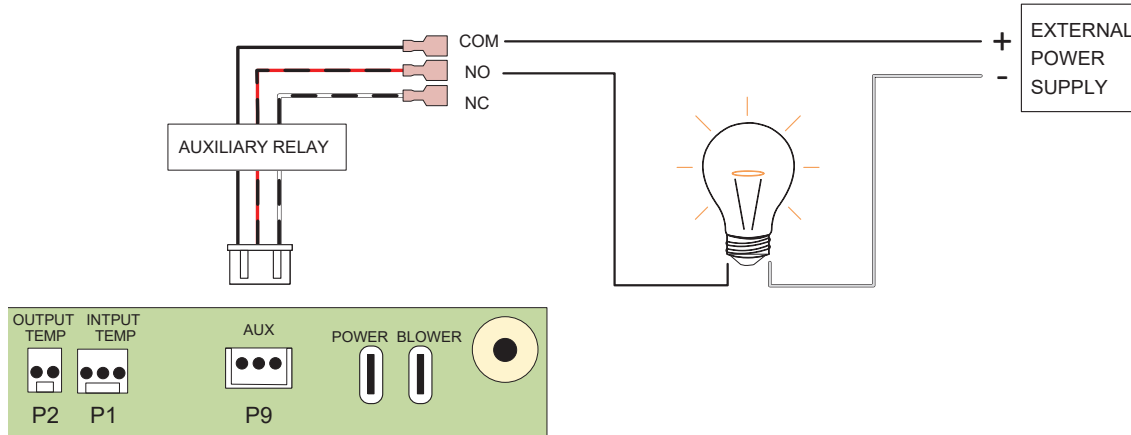


Figure 145. Auxiliary Relay

Use the Normally Closed (NC) and Normally Open (NO) terminals to drive a 3-way valve. This configuration typically uses an external 24 VAC supply.

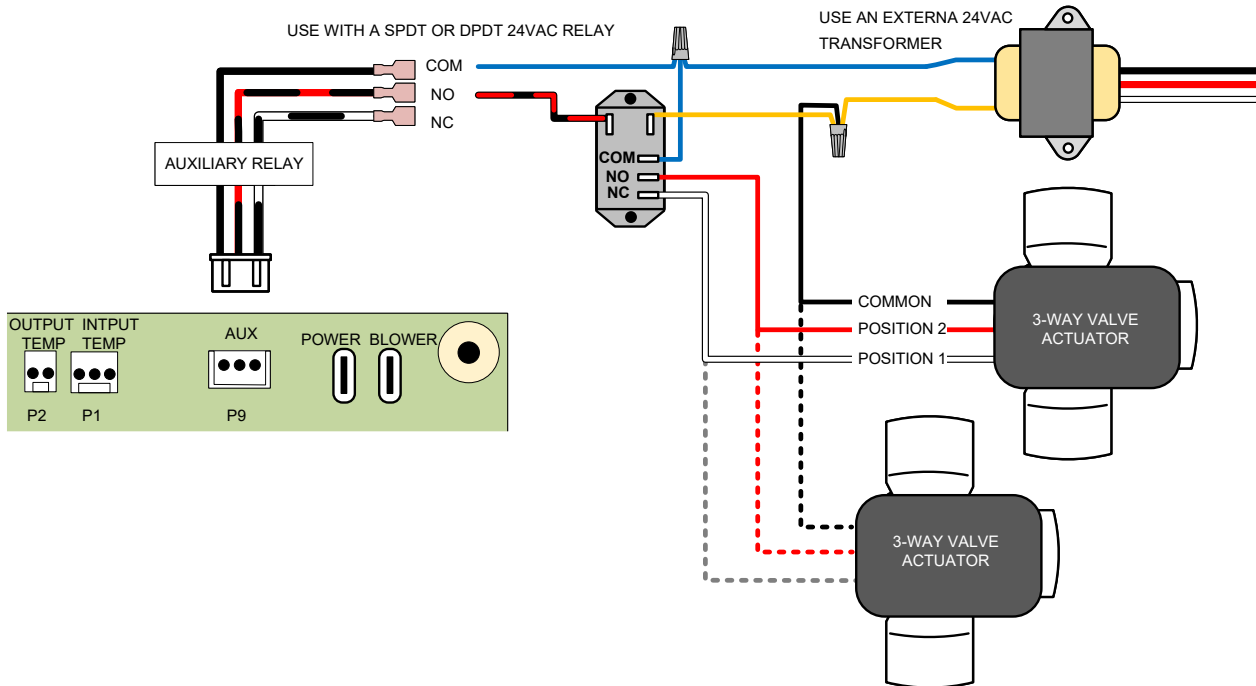


Figure 146. 3-Way Valve

NOTE: Ensure to select proper relay coil voltage and terminal current rating per your application.

For pumps, blowers and other applications rated above 3 Amps, use field-supplied DPST relay.

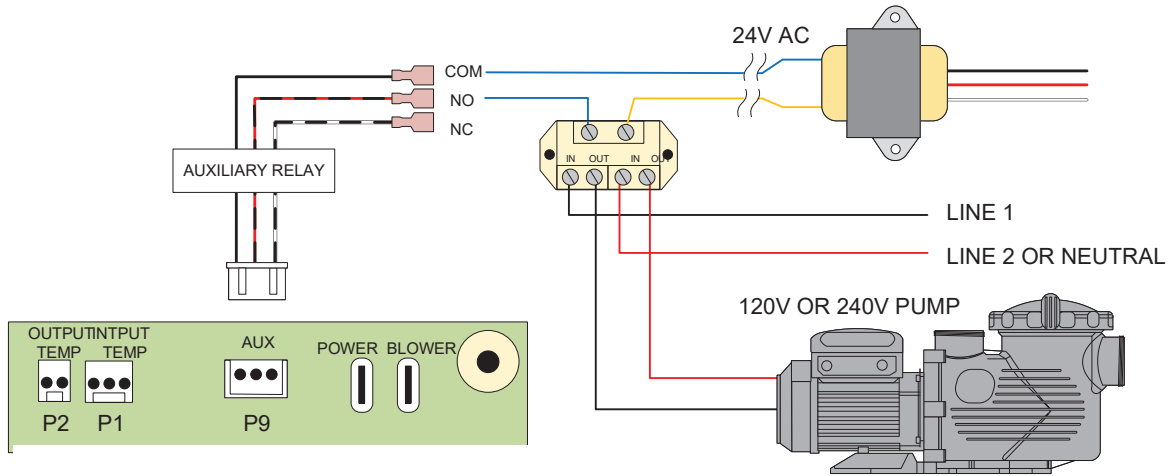


Figure 147. High Power Applications with Field-Supplied Relay

14. REPLACEMENT PARTS

NOTE: To supply you with the correct part, it is important that you supply the heater model number, serial number and type of gas when applicable.

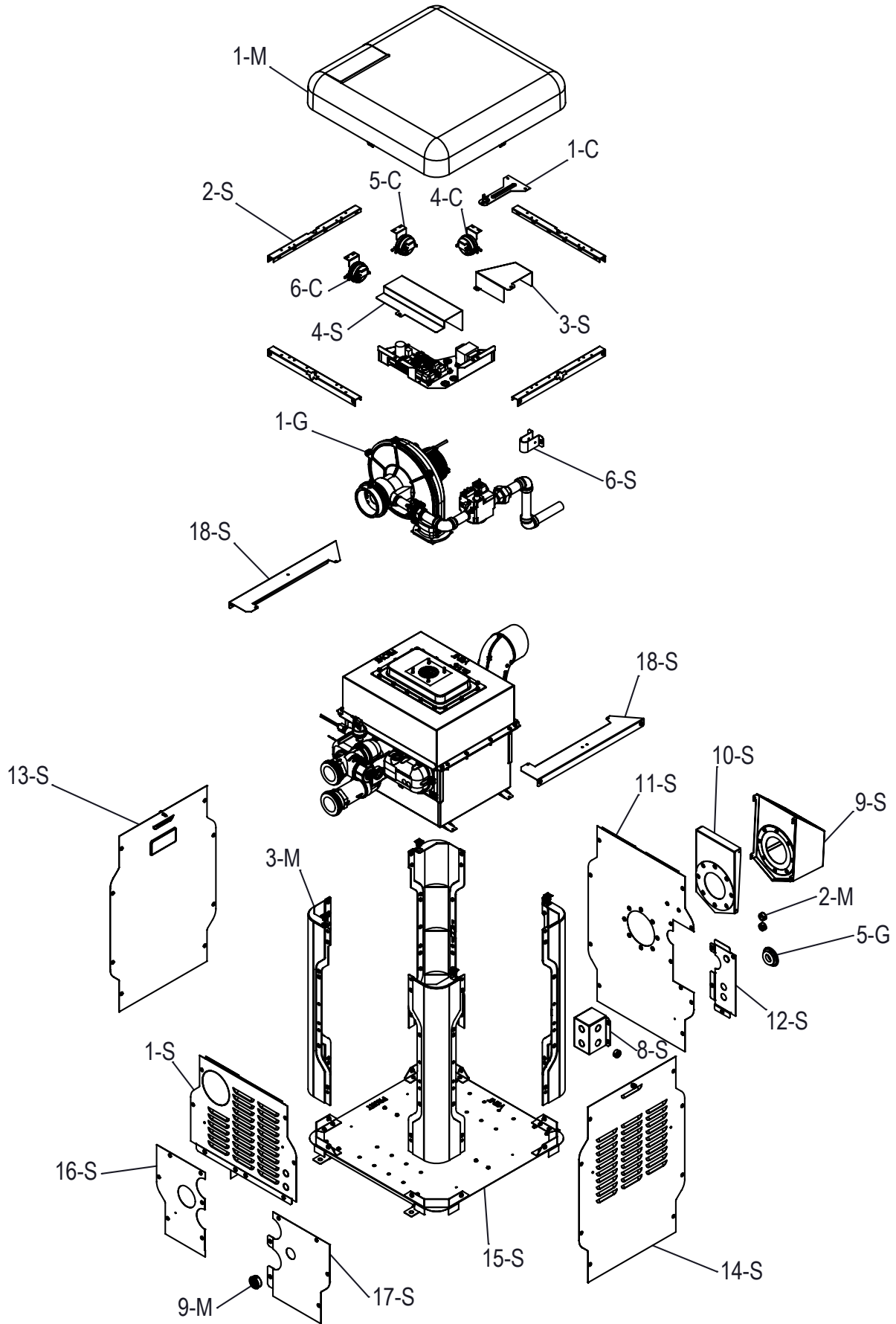
Any part returned for replacement under standard company warranties must be properly tagged with a return parts tag, completely filled in with the heater serial number, model number, etc., and shipped to the Company freight prepaid.

If determined defective by the Company and within warranty, a like part or equal substitution will be returned, freight collect. Credit will not be issued.

MANUFACTURER:

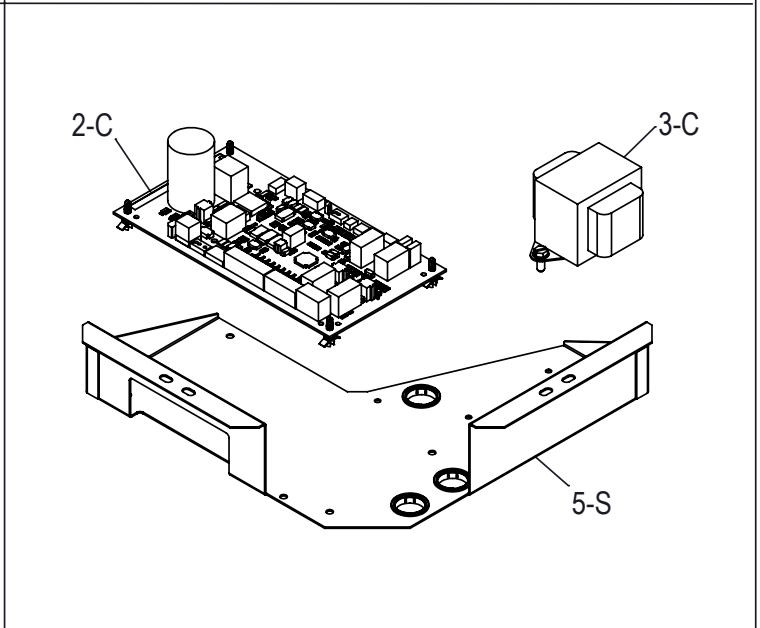
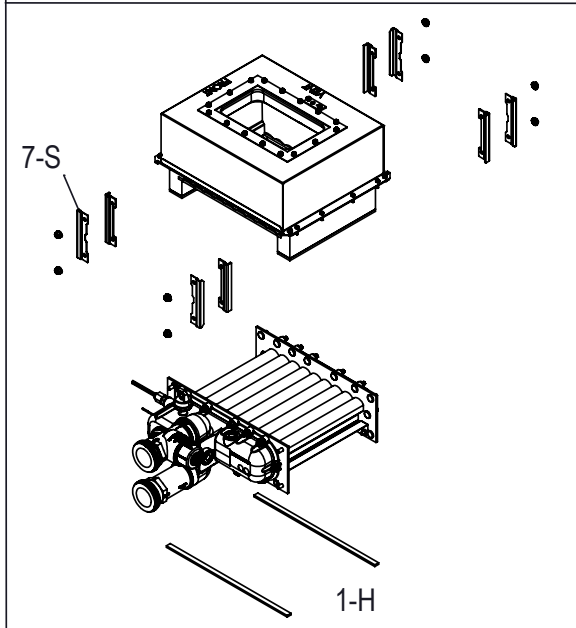
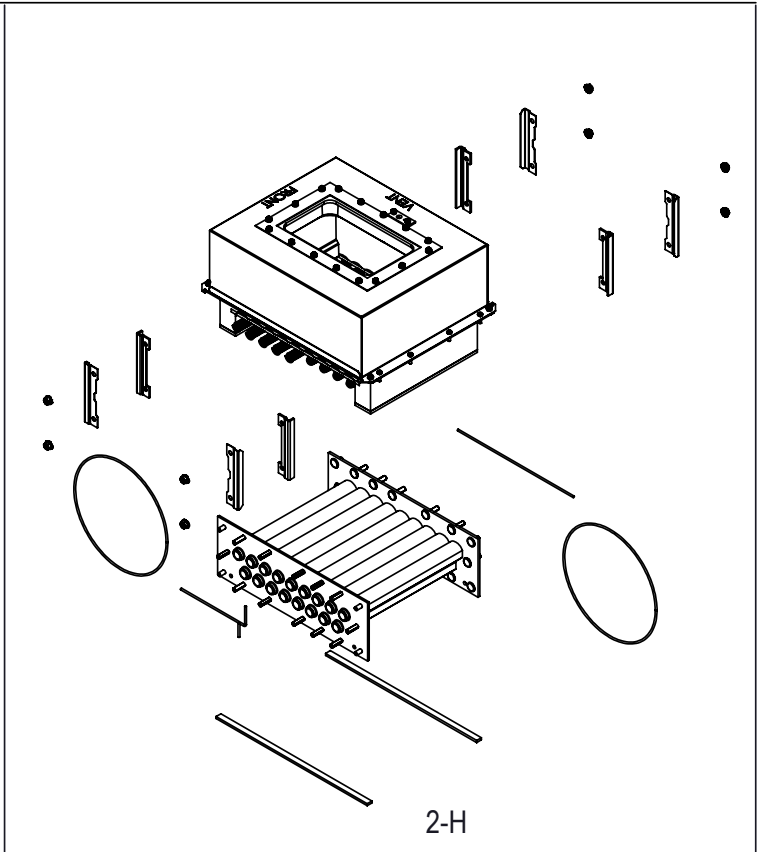
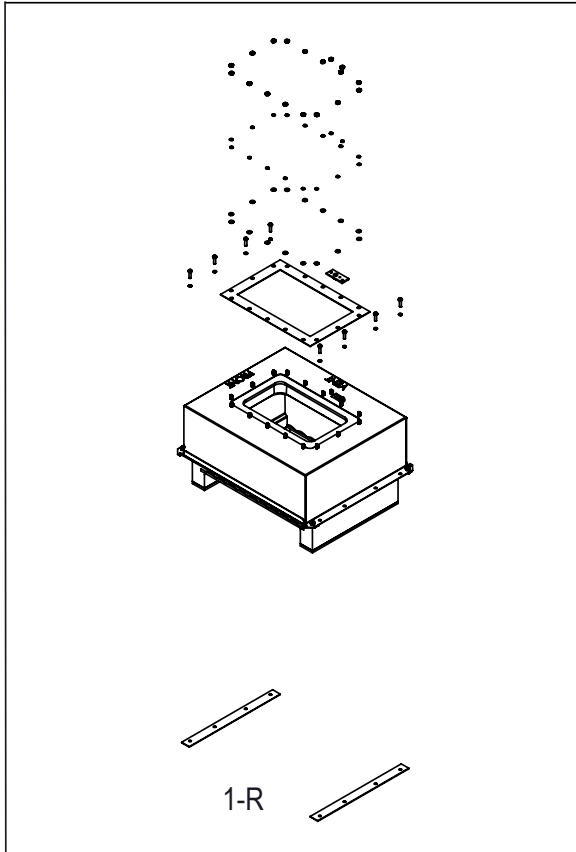
Av. New York 207, Parque Industrial Oradel, C.P.
88285 Nuevo Laredo Tamps. Mexico

15. ILLUSTRATED PARTS LIST



REFRACTORY ASSY.

TUBE BUNDLE

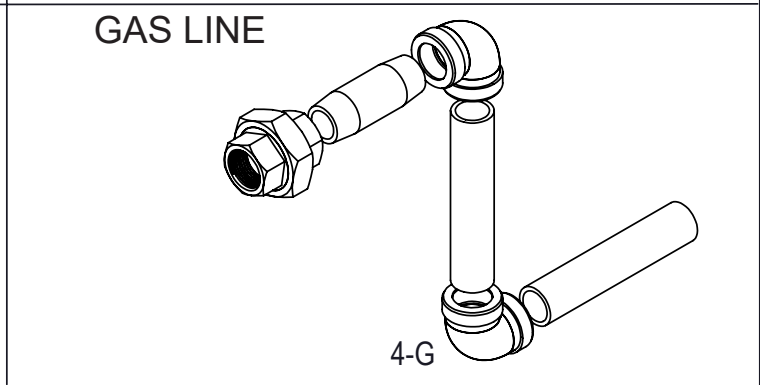
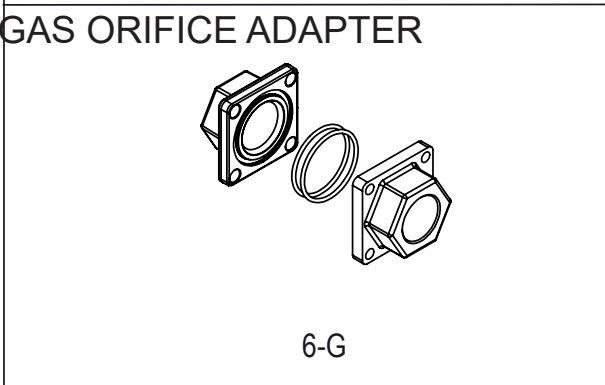
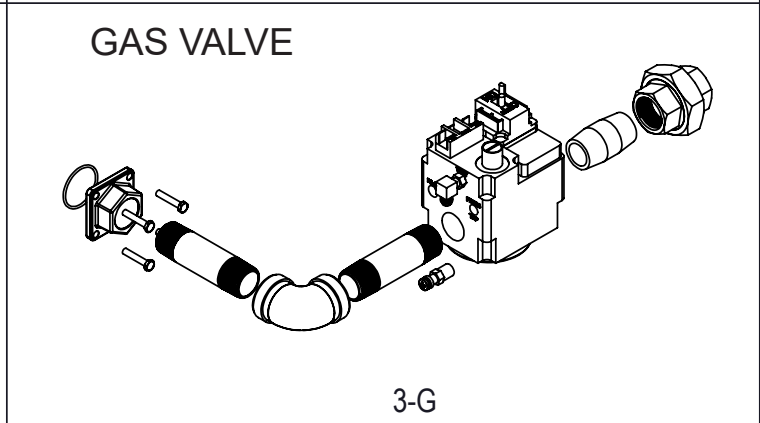
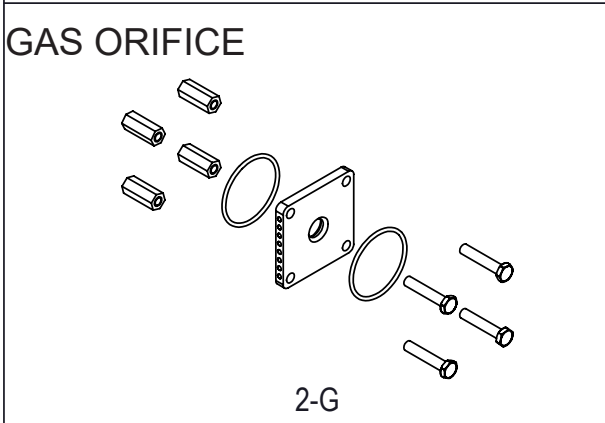
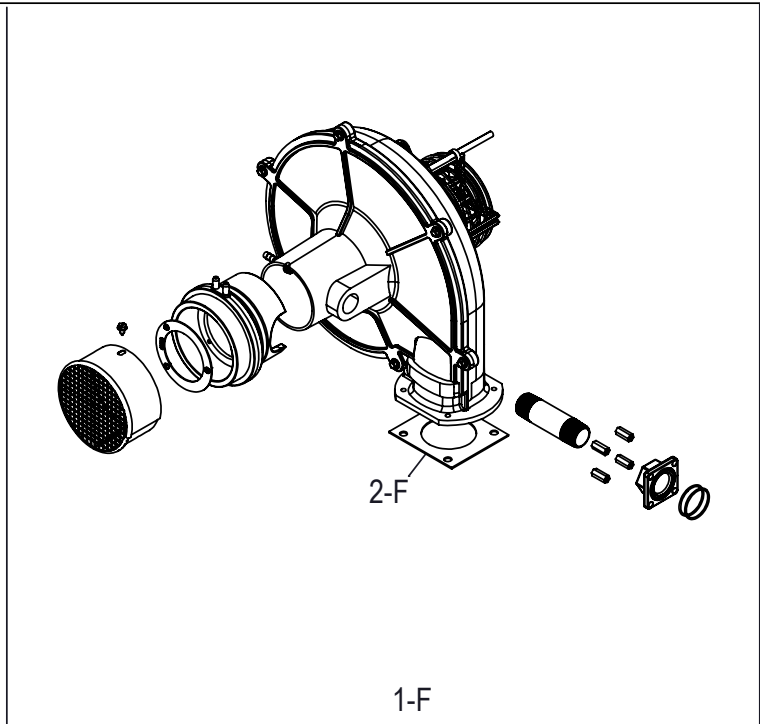
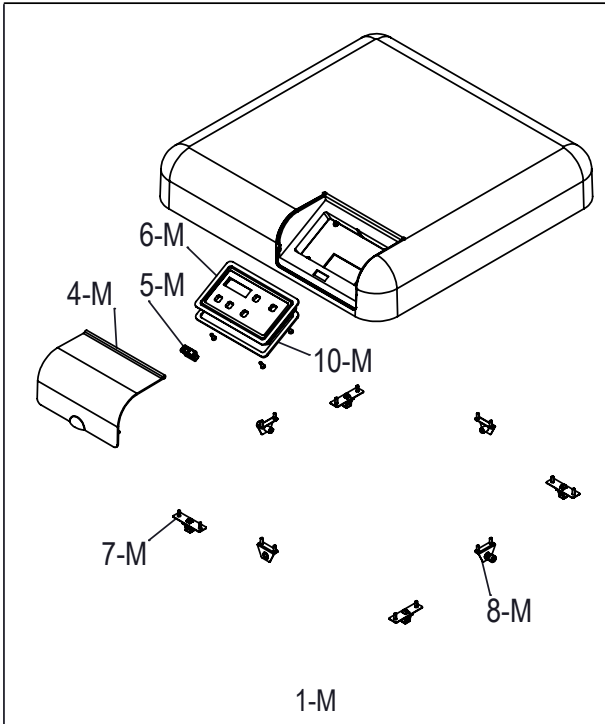


HEAT EXCHANGER

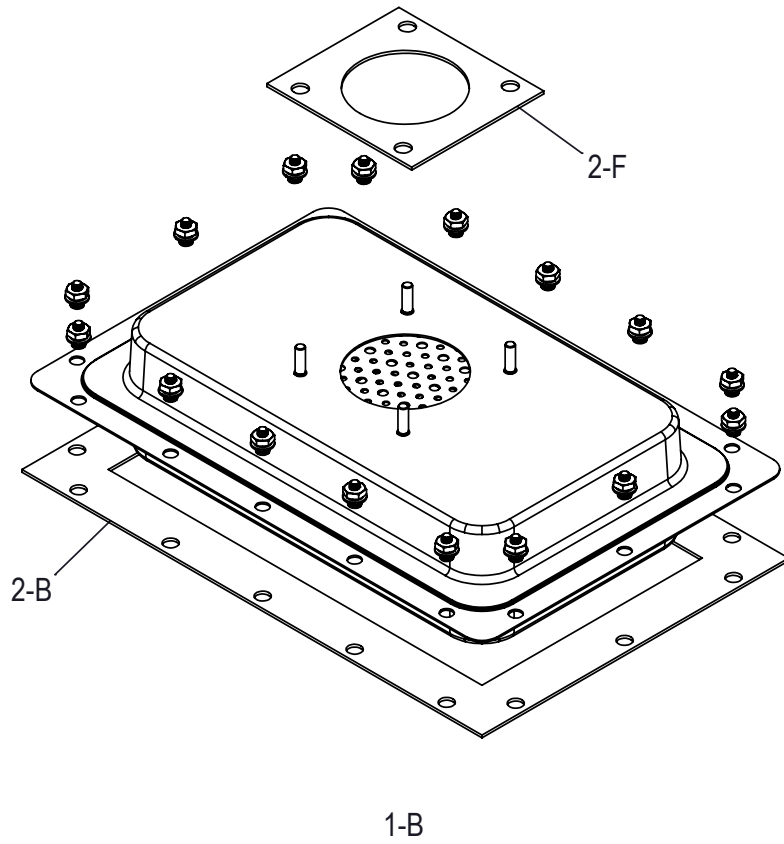
IGNITION BOARD & TRANSFORMER

TOP COVER ASSY.

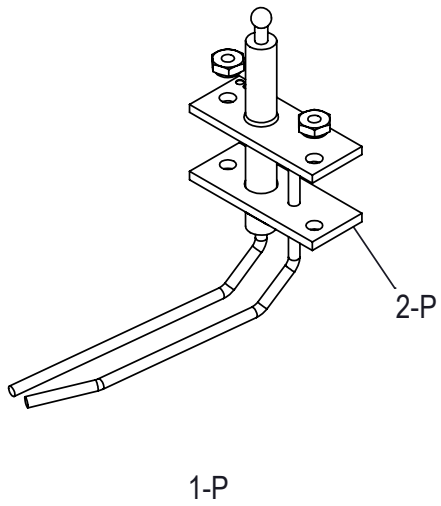
BLOWER ASSY.



BURNER ASSY.



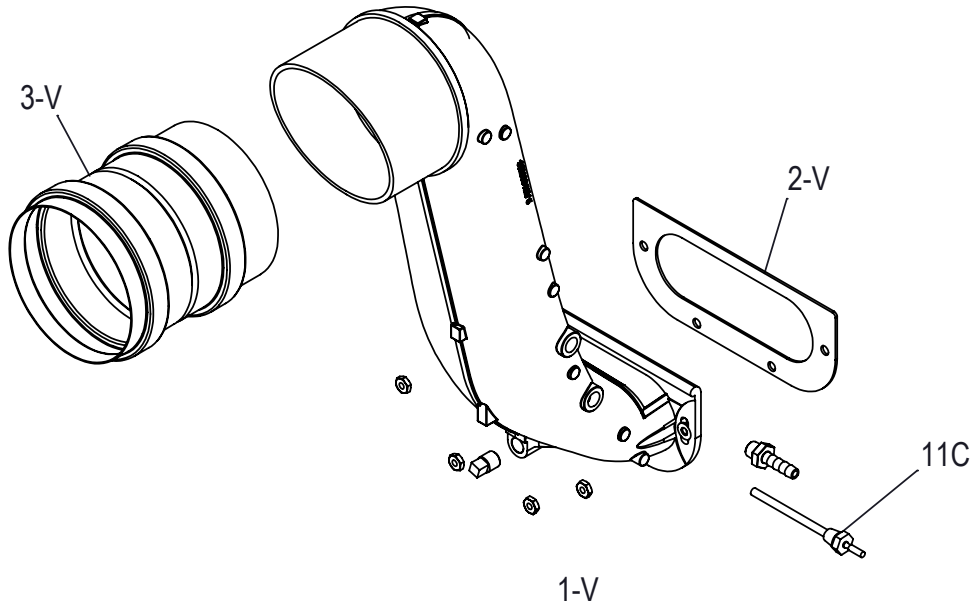
IGNITER



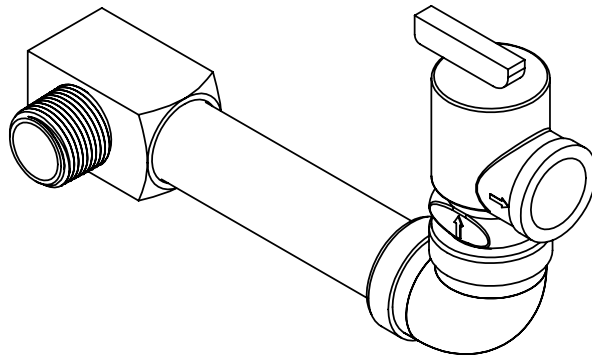
TENSION WIRE



FLUE EXHAUST, FLUE ADAPTER & VENT SENSOR

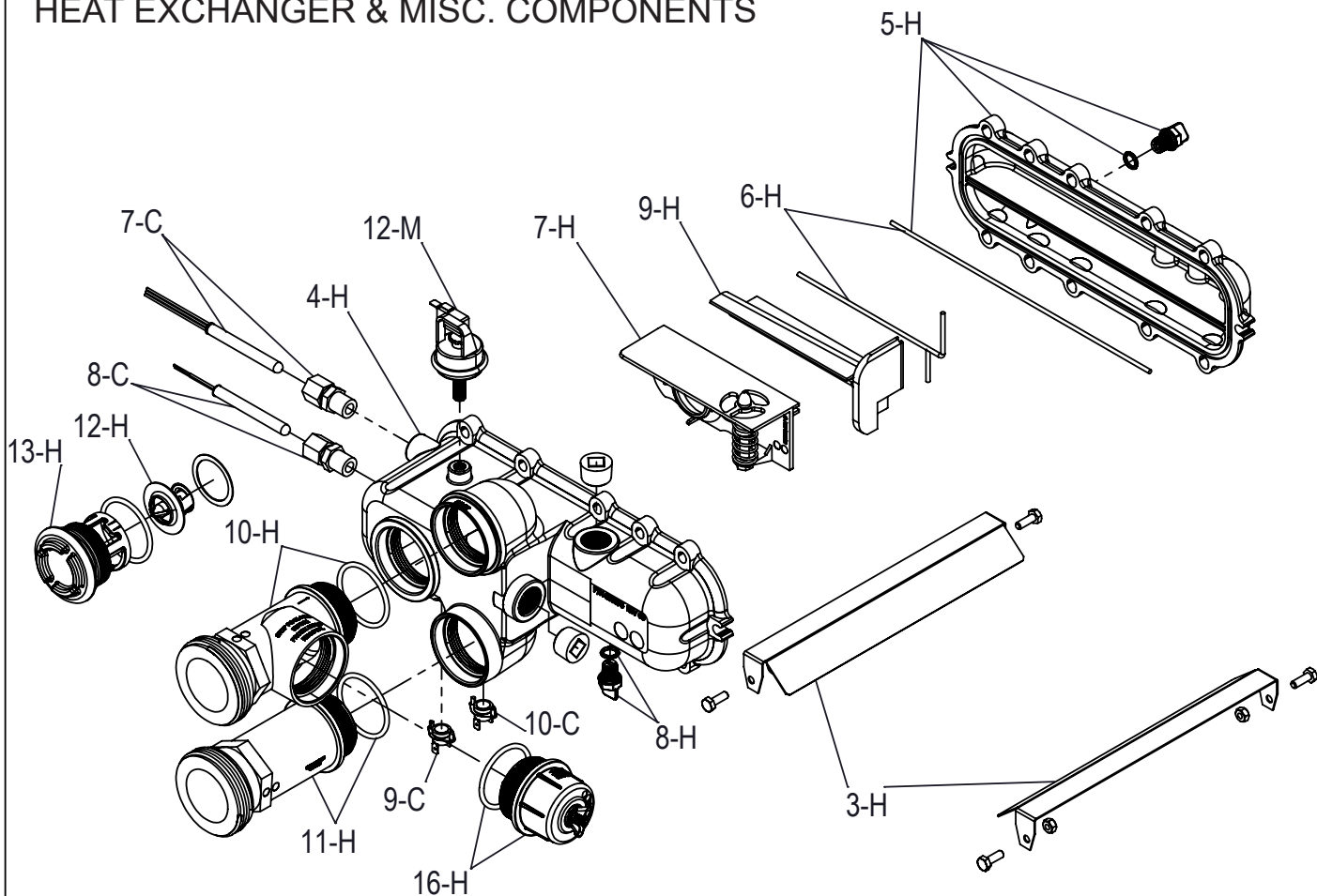


PRV LINE

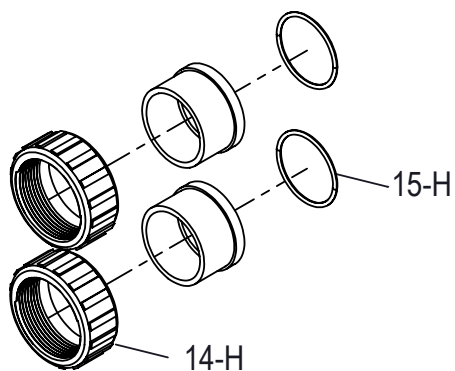


11-M (OPTIONAL)

HEAT EXCHANGER & MISC. COMPONENTS



CPVC CONNECTIONS



CALL OUT	DESCRIPTION	264A	404A
B	BURNER		
1-B	Kit-Burner	018873F	018873F
2-B	Kit-Burner Gasket	018878F	018878F
C	CONTROLS		
1-C	Kit-Temp Sensor Limit	018853F	018853F
2-C	Kit-Ignition Board	018857F	018933F
3-C	Kit-Transformer 120/240/24V	018858F	018858F
4-C	Kit-Pressure Vent	018928F	018928F
5-C	Kit-Pressure Air	018929F	018929F
6-C	Kit-Pressure Differential	018930F	018931F
7-C	Kit-Temperature Inlet Sensor	009577F	009577F
8-C	Kit-Temperature Outlet Sensor	019043F	019043F
9-C	Kit-High Limit 2-HL2-Surface Mount	019044F	019044F
10-C	Kit-High Limit 1-HL1-Surface Mount	019045F	019045F
11-C	Kit-Temperature Vent Sensor	019046F	019046F
F	FAN		
1-F	Kit-Blower Comb Air	018865F	018961F
2-F	Kit-Blower Gasket	018898F	018898F
G	GAS VALVE		
1-G	Blower/Gas Train Assy		
	Kit-Blower/Gas Train Natural (0-4500 Ft)	018861F	018862F
	Kit-Blower/Gas Train Propane (0-4500 Ft)	018863F	018864F
2-G	Gas Orifice		
	Kit-Gas Orifice Natural (0-4500 Ft)	018866F	018867F
	Kit-Gas Orifice Propane (0-4500 Ft)	018868F	018869F
3-G	Kit-Gas Valve w/ Gas Line Half	018870F	018870F
4-G	Kit-Gas Line End	018871F	018871F
5-G	Kit-Gas Line Grommet	010778F	010778F
6-G	Kit-Adapter Gas Orifice	018926F	018926F
H	HEAT EXCHANGER		
1-H	Kit-Heat Exchanger (Includes Refractory)	018900F	018901F
	Kit-Heat Exchanger Plastic Nickel Coated	019383F	019384F
2-H	Kit-Tube Bundle (Includes Refractory)*	018849F	018850F
	Kit-Tube Bundle Nickel Coated	019387F	019388F
3-H	Kit-Heat Exchanger Baffle	019047F	019048F
4-H	Kit-Inlet/Outlet Header Complete	019049F	019049F
	Kit-Inlet /Outlet Header	019050F	019050F
5-H	Kit-Return Header	019051F	019051F
6-H	Kit-Header Gasket (2)	019052F	019052F
7-H	Kit-Bypass Assy	019054F	019056F
8-H	Kit-Drain Plug Pool	006721F	006721F
9-H	Kit-Inlet/Outlet Header Dam	019059F	019059F
10-H	Kit-Inlet Header Adapter	019060F	019060F
11-H	Kit-Outlet Header Adapter	019061F	019061F
12-H	Kit-Unitherm Governor	019062F	019062F
13-H	Kit-Unitherm Governor Plug Polymer	006720F	006720F
14-H	Kit-2" CPVC Connector & Nut (2)	006723F	006723F
15-H	Kit-O Ring Inlet/Outlet Pool (2)	006724F	006724F
16-H	Kit-ProTek Shield Assy	017960F	017960F

*WARNING: The Hydraulic conditions or water chemistry that caused the tube bundle to fail have very likely also damaged the bypass valve. We recommend to inspect the bypass assembly. Failure to do so could cause premature failure of this replacement part.

M	MISCELLANEOUS COMPONENTS	264A	404A
1-M	Kit-Top Cover Assy	018852F	018852F
4-M	Kit-Top Lid	018902F	018902F
5-M	Kit-Rocker Switch SPST	009493F	009493F
6-M	Kit-Bezel	018904F	018904F
7-M	Kit-Top Clip Assy	018905F	018905F
8-M	Kit-Top Knurled Screw Assy	018906F	018906F
10-M	Kit-Bezel Gasket	018921F	018921F
2-M	Kit-Power Cable Grommet	018884F	018884F
3-M	Kit-Corner Post	018891F	018891F
9-M	Kit-PRV Grommet	018920F	018920F
11-M	Kit-PRV Line	018936F	018936F
12-M	Kit-Pressure Switch 1.75 PSI	006737F	006737F
22-M	Kit-Pressure Switch 11 PSI Special-See Water Pressure Switch Adj. (Not Shown)	009133F	009133F
13-M	Kit-Wire Bonding 14/6 Connector	007155F	007155F
14-M	Kit-Tube Air Sample (Blower/Vent/Air Pressure Switch)	010348F	010348F
15-M	Kit-Wire/Harness (Not Shown)	019064F	019064F
16-M	Touch-up Paint (Not Shown)		
	Cool Dark Gray	750256	750256
	Warm Dark Gray	750258	750258
	Maroon	750265	750265
17-M	Kit-Delimiting (Not Shown)	052871F	052871F
18-M	RTV Sealant 2.8 oz (Not Shown)	008924F	008924F
19-M	RTV Sealant 10 oz (Not Shown)	005755F	005755F
20-M	Kit-Elevation Propane (Not Shown)	018762F	018762F

CALL OUT	DESCRIPTION	264A	404A
P	PILOT		
1-P	Kit-Igniter Direct Spark	018874F	018874F
2-P	Kit-Igniter Gasket	018879F	018879F
3-P	Kit-Hi Tension Wire	018875F	018875F
R	REFRACTORY		
1-R	Kit-Refractory Assy	018848F	018848F
S	SHEET METAL / CABINET		
1-S	Kit-Top Right Panel Assy Raypak/Rheem/Ruud (Cool Dark Gray) Jacuzzi (Beige)	018851F 018973F	018851F 018973F
2-S	Kit-Cabinet Top Support	018854F	018854F
3-S	Kit-Transformer Cover	018855F	018855F
4-S	Kit-Ignition Board Cover	018856F	018856F
5-S	Kit-Ignition Board Mounting	018859F	018859F
6-S	Kit-Anti Rotation Gas Valve Bracket	018860F	018860F
7-S	Kit-Comb Chamber Seal	018872F	018872F
8-S	Kit-Junction Box	018876F	018876F
9-S	Kit-Vent Cover Assy	018881F	018881F
10-S	Kit-Vent Mounting Panel Raypak/Rheem/Ruud (Cool Dark Gray) Jacuzzi (Beige)	018882F 018977F	018882F 018977F
11-S	Kit-Panel Left Side Vent Raypak/Rheem/Ruud (Cool Dark Gray) Jacuzzi (Beige)	018883F 018976F	018883F 018976F
12-S	Kit-Panel Junction Box Cover Raypak/Rheem/Ruud (Cool Dark Gray) Jacuzzi (Beige)	018885F 018975F	018885F 018975F
13-S	Kit-Panel Front Raypak (Maroon) Rheem (Warm Dark Gray) Ruud (Cool Dark Gray) Jacuzzi (Beige)	018888F 018889F 018887F 018890F	018888F 018889F 018887F 018890F
14-S	Kit-Panel Rear Raypak (Maroon) Rheem/Ruud (Cool Dark Gray) Jacuzzi (Beige)	018893F 018894F 018895F	018893F 018894F 018895F
15-S	Kit-Base Assy	018892F	018892F
16-S	Kit-Bottom Right Panel UG Raypak/Rheem/Ruud (Cool Dark Gray) Jacuzzi (Beige)	018896F 018978F	018896F 018978F
17-S	Kit-Bottom Right Panel PRV Raypak/Rheem/Ruud (Cool Dark Gray) Jacuzzi (Beige)	018897F 018974F	018897F 018974F
18-S	Kit-Comb Chamber Support	018899F	018899F
V	VENTING		
1-V	Kit-Flue Exhaust	018877F	018877F
2-V	Kit-Flue Exhaust Gasket	018880F	018880F
3-V	Kit-Flue Adapter 4" SS	018932F	018932F
CONVERSION KITS*			
	Pro. to Nat.	018866F	018867F
	Nat. to Pro.	018868F	018869F

* Gas conversions are to be done only by a qualified agency.

If you need information for an older model heater, go to the Raypak website's model number history: <https://www.raypak.com/technical-resources/documents/link>; or contact your Raypak representative for assistance.

Find a Raypak representative for Commercial or Pool product: <https://www.raypak.com/commercial-sales-rep/> or <https://www.raypak.com/pool-heater-sales-rep/>.

16. IMPORTANT INSTRUCTIONS FOR THE COMMONWEALTH OF MASSACHUSETTS

The Commonwealth of Massachusetts requires compliance with regulation 248 CMR 4.00 and 5.00 for installation of through – the – wall vented gas appliances as follows:

(a) For all side wall horizontally-vented gas-fueled equipment installed in every dwelling, building or structure used in whole or in part for residential purposes, including those owned or operated by the Commonwealth and where the side wall exhaust vent termination is less than seven (7) feet above finished grade in the area of the venting, including but not limited to decks and porches, the following requirements shall be satisfied:

1. **INSTALLATION OF CARBON MONOXIDE DETECTORS.** At the time of installation of the side wall horizontally-vented gas-fueled equipment, the installing plumber or gasfitter shall observe that a hard wired carbon monoxide detector with an alarm and battery back-up is installed on the floor level where the gas equipment is to be installed. In addition, the installing plumber or gasfitter shall observe that a battery operated or hard wired carbon monoxide detector with an alarm is installed on each additional level of the dwelling, building or structure served by the side wall horizontal vented gas-fueled equipment. It shall be the responsibility of the property owner to secure the services of qualified licensed professionals for the installation of hard wired carbon monoxide detectors

a. In the event that the side wall horizontally-vented gas-fueled equipment is installed in a crawl space or an attic, the hard wired carbon monoxide detector with alarm and battery back-up may be installed on the next adjacent floor level.

b. In the event that the requirements of this subdivision can not be met at the time of completion of installation, the owner shall have a period of thirty (30) days to comply with the above requirements; provided, however, that during said thirty (30) day period, a battery operated carbon monoxide detector with an alarm shall be installed.

2. **APPROVED CARBON MONOXIDE DETECTORS.** Each carbon monoxide detector as required in accordance with the above provisions shall comply with NFPA 720 and be ANSI/UL 2034 listed and IAS certified.

3. **SIGNAGE.** A metal or plastic identification plate shall be permanently mounted to the exterior of the building at a minimum height of eight (8) feet above grade directly in line with the exhaust vent terminal for the horizontally-vented gas-fueled heating appliance or equipment. The sign shall read, in print size no less than one-half (1/2) inch in size, “GAS VENT DIRECTLY BELOW. KEEP CLEAR OF ALL OBSTRUCTIONS”.

4. **INSPECTION.** The state or local gas inspector of the side wall horizontally-vented gas-fueled equipment shall not approve the installation unless, upon inspection, the inspector observes carbon monoxide detectors and signage installed in accordance with the provisions of 248 CMR 5.08(2)(a)1 through 4.

(b) **EXEMPTIONS:** The following equipment is exempt from 248 CMR 5.08(2)(a)1 through 4:

1. The equipment listed in Chapter 10 entitled “Equipment Not Required To Be Vented” in the most current edition of NFPA 54 as adopted by the Board; and

2. Product Approved side wall horizontally-vented gas-fueled equipment installed in a room or structure separate from the dwelling, building or structure used in whole or in part for residential purposes.

(c) **MANUFACTURER REQUIREMENTS - GAS EQUIPMENT VENTING SYSTEM PROVIDED.** When the manufacturer of Product Approved side wall horizontally-vented gas equipment provides a venting system design or venting system components with the equipment, the instructions provided by the manufacturer for installation of the equipment and the venting system shall include:

1. Detailed instructions for the installation of the venting system design or the venting system components; and

2. A complete parts list for the venting system design or venting system.

(d) **MANUFACTURER REQUIREMENTS - GAS EQUIPMENT VENTING SYSTEM NOT PROVIDED.** When the manufacturer of a Product Approved side wall horizontally-vented gas-fueled equipment does not provide the parts for venting the flue gases, but identifies “special venting systems”, the following requirements shall be satisfied by the manufacturer:

1. The referenced “special venting system” instructions shall be included with the appliance or equipment installation instructions; and

2. The “special venting systems” shall be Product Approved by the Board, and the instructions for that system shall include a parts list and detailed installation instructions.

(e) A copy of all installation instructions for all Product Approved side wall horizontally-vented gas-fueled equipment, all venting instructions, all parts lists for venting instructions, and/or all venting design instructions shall remain with the appliance or equipment at the completion of the installation.

GAS PRESSURE SUPERVISION

The Commonwealth of Massachusetts requires listed high and low gas pressure switches (manual-reset) for any model with a maximum firing input greater than 1,000,000 Btu/Hr in accordance with 248 CMR 7.04(11)(d).

A gas pressure regulator (field-supplied) is required in the gas train ahead of the heater, for heaters having input rates greater than 1,000,000 Btu/Hr, in accordance with 248 CMR 7.04 Figure 3B requirements.

17. QR CODES

View this Installation Manual on your smart device.

The QR Codes will take you to the most current version of this manual. Previous versions of manuals can be found in the document library at Raypak.com.

[P/N: 100-10000111 AVIA Operation Instructions](#)

[AVIA Troubleshooting](#)



[P/N: 241945 Raymote Quick Start Guide](#)

[Raymote App](#)



[P/N: 242049 Protégé Quick Start Guide](#)

[Raymote Automation & Scheduling](#)



Notes
