



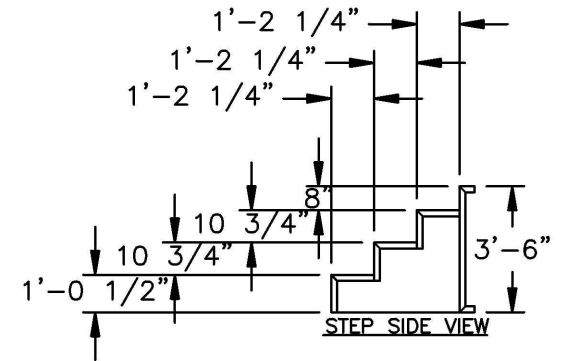
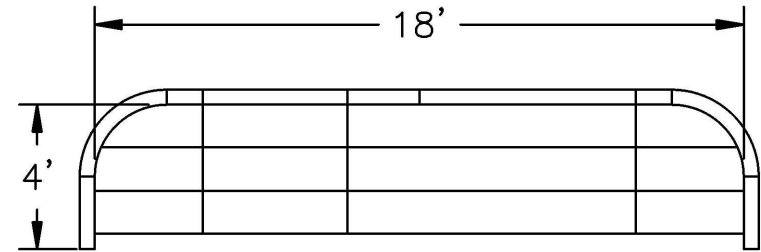
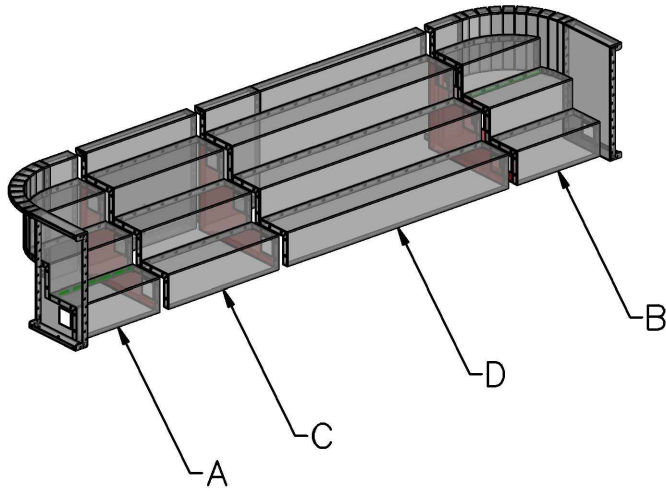
ROYAL
SWIMMING POOLS

Name: 18' X 42" X 2R FULL WIDTH STEP – CARDINAL MODULAR

Number: CFWMOD-1842-2R

6426 Summer Gale Dr. Memphis, TN 38134 | 866-532-8194 | fax: 888-977-2846 | Support@RoyalSwimmingPools.com

BOM		
REF.	VENDOR SKU #	QTY
A	2RADSTMODLTS	1
B	2RADSTMODRTS	1
C	4FTSTMODSECS	1
D	8FTSTMODSECS	1



Drawn By: GR

Date: 5/6/2021

Scale: 3/16" = 1'-0"

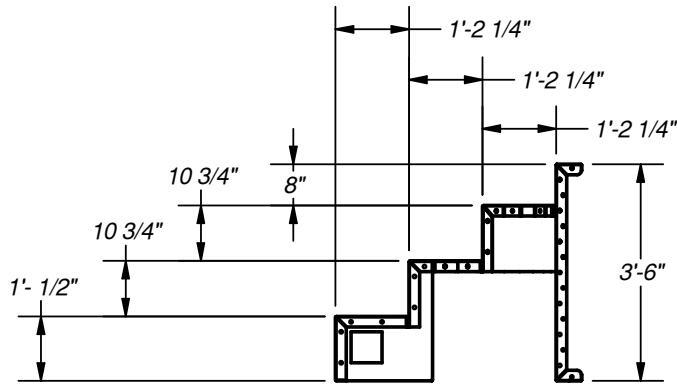
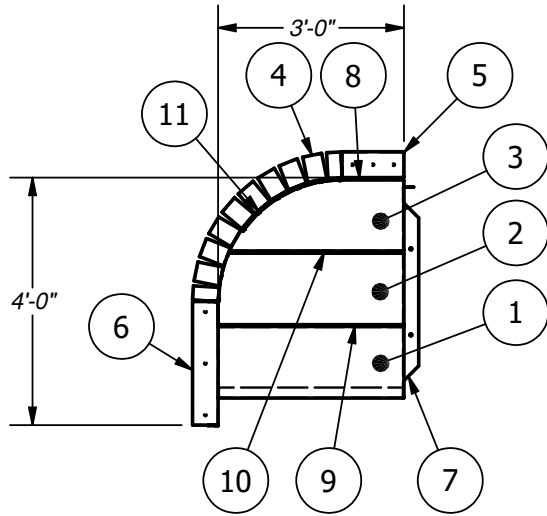
Notes: -----



Name: 3'-0" LEFT SIDE 2' RADIUS MODULAR STEEL STEP

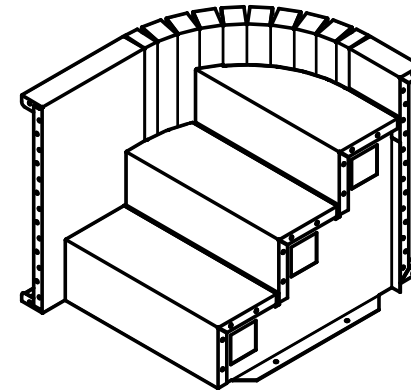
Number: 2RADSTMODLTS

250 Route 61 South, Schuylkill Haven, PA 17972 • 570-385-4733 • fax: 570-385-1318 • CustomerService@CardinalSystemsinc.com



TREAD SECTION
SCALE 1 / 35

PARTS LIST			
ITEM	PART NUMBER	QTY	DESCRIPTION
1	BT1143	1	3'-0" BOTTOM TREAD
2	TD03398	1	3'-0" TREAD
3	TD03390	1	2'-9 7/8" TREAD
4	SR00539	1	3'-1 3/4" X 2'-0" RADIUS STEP RISER
5	SP06888	1	1'-0" STEP PANEL
6	SP0251	1	2'-0" STEP PANEL
7	TS0069	1	3'-6" TREAD SUPPORT
8	LT0028	1	1'-0" LINER TRACK
9	LT0031	1	3'-0" LINER TRACK
10	LT0064	1	2'-9 3/4" LINER TRACK
11	LT03123	1	1'-10 3/4" X 2'-0" RADIUS LINER TRACK
12	BP106ST	1	LARGE STEP BOLT PACK



NOTE:
USE REBAR HOLE LOCATIONS TO
PIN WALL AND STEP DECK
SUPPORTS IN PLACE. THEN POUR
4"-6" OF CONCRETE AROUND
THESE AREAS AND UNDER THE
ASSEMBLY FOR REINFORCEMENT

Drawn By: Shay

Date: 7/18/2019

Scale: 1 : 35

Notes: ST012166

This information is the confidential property of Cardinal Systems, Inc. Disclosure or duplication without proper written approval is strictly prohibited. Acceptance and use of this drawing constitutes knowledge and acceptance by the user of the terms and conditions set forth in the notice and warning which accompanied this drawing is incorporated herein and made part hereof and is found on Cardinal Systems, Inc's website at www.CardinalSystemsinc.com



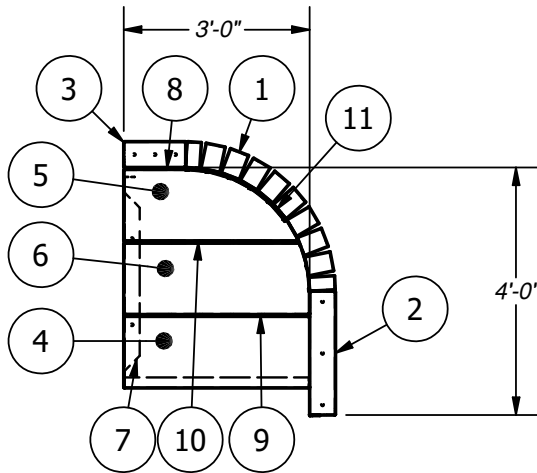
CardinalSystemsinc.com



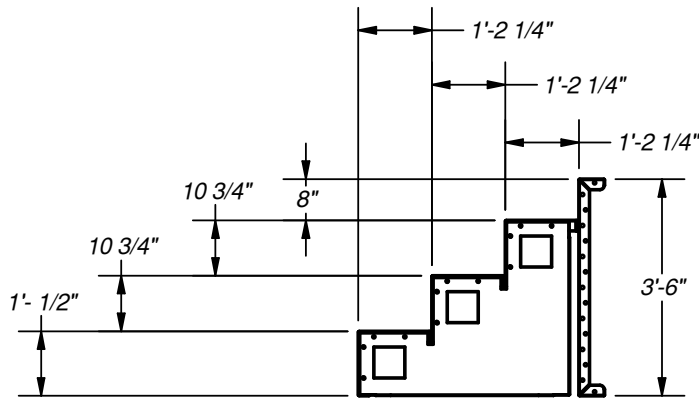
Name: 3'-0" RIGHT SIDE 2' RADIUS MODULAR STEEL STEP

Number: 2RADSTMODRTS

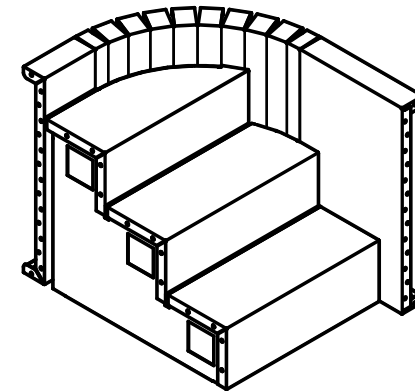
250 Route 61 South, Schuylkill Haven, PA 17972 • 570-385-4733 • fax: 570-385-1318 • CustomerService@CardinalSystemsinc.com



PARTS LIST			
ITEM	PART NUMBER	QTY	DESCRIPTION
1	SR00540	1	3'-1 3/4" X 2'-0" RADIUS STEP RISER
2	SP0252	1	2'-0" STEP PANEL
3	SP06888	1	1'-0" STEP PANEL
4	BT1143	1	3'-0" BOTTOM TREAD
5	TD03393	1	2'-9 7/8" TREAD
6	TD03399	1	3'-0" TREAD
7	TS0069	1	3'-6" TREAD SUPPORT
8	LT0028	1	1'-0" LINER TRACK
9	LT0031	1	3'-0" LINER TRACK
10	LT0064	1	2'-9 3/4" LINER TRACK
11	LT03123	1	1'-10 3/4" X 2'-0" RADIUS LINER TRACK
12	BP106ST	1	LARGE STEP BOLT PACK



TREAD SECTION
SCALE 1 / 35



NOTE:
USE REBAR HOLE LOCATIONS TO PIN WALL AND STEP DECK SUPPORTS IN PLACE. THEN POUR 4"-6" OF CONCRETE AROUND THESE AREAS AND UNDER THE ASSEMBLY FOR REINFORCEMENT

Drawn By: Shay Date: 7/18/2019

Scale: 1 : 35 Notes: ST012171

This information is the confidential property of Cardinal Systems, Inc. Disclosure or duplication without proper written approval is strictly prohibited. Acceptance and use of this drawing constitutes knowledge and acceptance by the user of the terms and conditions set forth in the notice and warning which accompanied this drawing is incorporated herein and made part hereof and is found on Cardinal Systems, Inc's website at www.CardinalSystemsinc.com



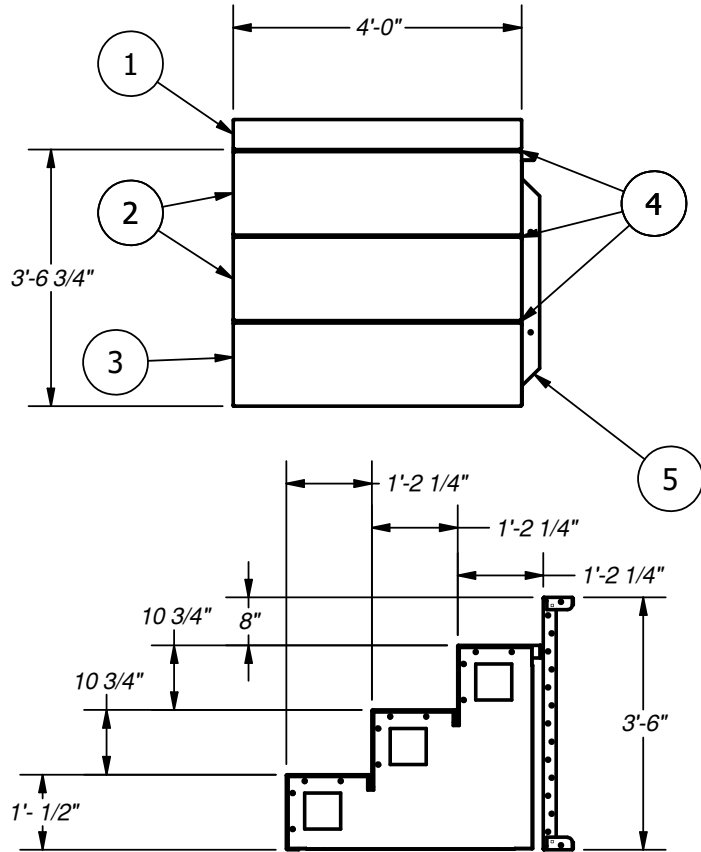
CardinalSystemsinc.com



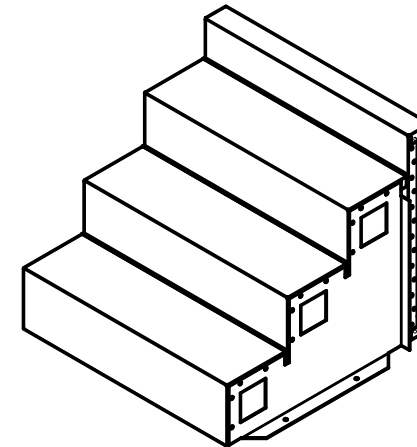
Name: 4'-0" STEEL MODULAR STEP SECTION (1'-2 1/4" TREADS)

Number: 4FTSTMODSECS

250 Route 61 South, Schuylkill Haven, PA 17972 • 570-385-4733 • fax: 570-385-1318 • CustomerService@CardinalSystemsinc.com



PARTS LIST			
ITEM	PART NUMBER	QTY	DESCRIPTION
1	SP0108	1	4'-0" STEP PANEL W/1 Z-BRACE
2	TD0895	2	4'-0" TREAD
3	BT0400	1	4'-0" BOTTOM TREAD
4	LT0005	3	4'-0" LINER TRACK
5	TS0069	1	3'-6" TREAD SUPPORT



NOTE:
USE REBAR HOLE LOCATIONS TO
PIN WALL AND STEP DECK
SUPPORTS IN PLACE. THEN POUR
4"-6" OF CONCRETE AROUND
THESE AREAS AND UNDER THE
ASSEMBLY FOR REINFORCEMENT

Drawn By: nrentschler Date: 2/12/2019

Scale: SCALE Notes: ST010444

This information is the confidential property of Cardinal Systems, Inc. Disclosure or duplication without proper written approval is strictly prohibited. Acceptance and use of this drawing constitutes knowledge and acceptance by the user of the terms and conditions set forth in the notice and warning which accompanied this drawing is incorporated herein and made part hereof and is found on Cardinal Systems, Inc's website at www.CardinalSystemsInc.com



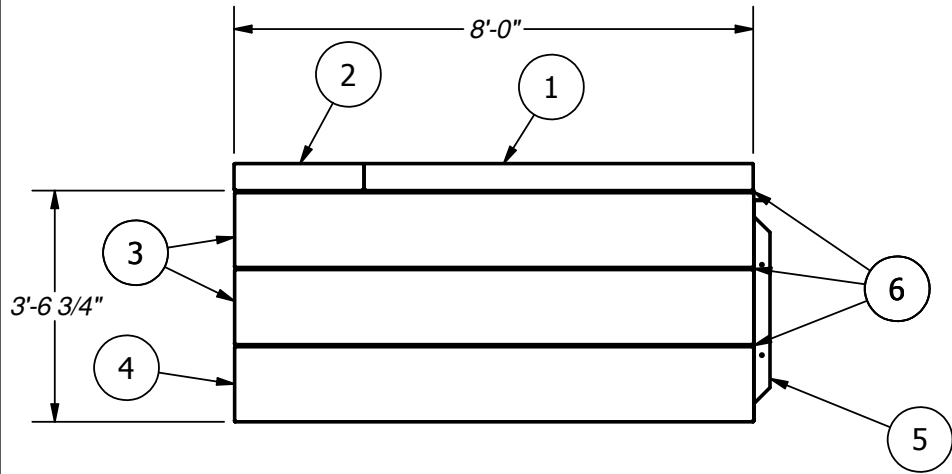
CardinalSystemsInc.com



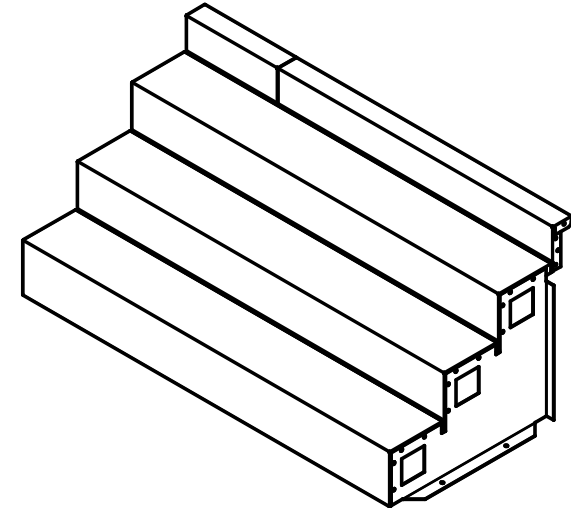
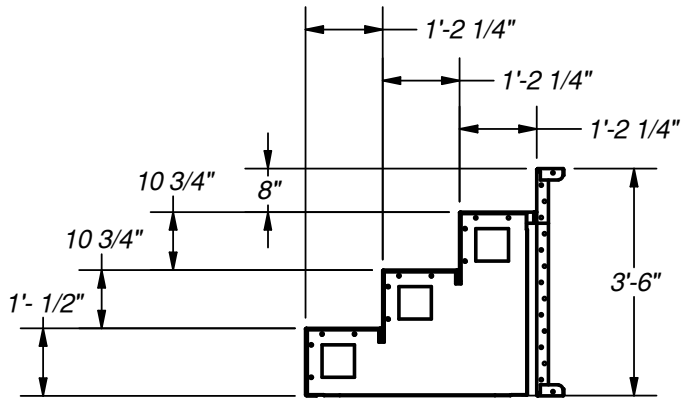
Name: 8'-0" STEEL MODULAR STEP SECTION (1'-2 1/4" TREADS)

Number: 8FTSTMODSECS

250 Route 61 South, Schuylkill Haven, PA 17972 • 570-385-4733 • fax: 570-385-1318 • CustomerService@CardinalSystemsinc.com



PARTS LIST			
ITEM	PART NUMBER	QTY	DESCRIPTION
1	SR0010	1	6'-0" STEP RISER
2	SP0024	1	2'-0" STEP PANEL
3	TD0847	2	8'-0" TREAD
4	BT0141	1	8'-0" BOTTOM TREAD
5	TS0069	1	3'-6" TREAD SUPPORT
6	LT0024	3	8'-0" LINER TRACK
	BP106ST	1	LARGE STEP BOLT PACK



NOTE:
USE REBAR HOLE LOCATIONS TO PIN WALL AND STEP DECK SUPPORTS IN PLACE. THEN POUR 4"-6" OF CONCRETE AROUND THESE AREAS AND UNDER THE ASSEMBLY FOR REINFORCEMENT

Drawn By: nrentschler	Date: 10/30/2018
Scale: SCALE	Notes: ST009667

This information is the confidential property of Cardinal Systems, Inc. Disclosure or duplication without proper written approval is strictly prohibited. Acceptance and use of this drawing constitutes knowledge and acceptance by the user of the terms and conditions set forth in the notice and warning which accompanied this drawing is incorporated herein and made part hereof and is found on Cardinal Systems, Inc's website at www.CardinalSystemsInc.com

CardinalSystemsInc.com