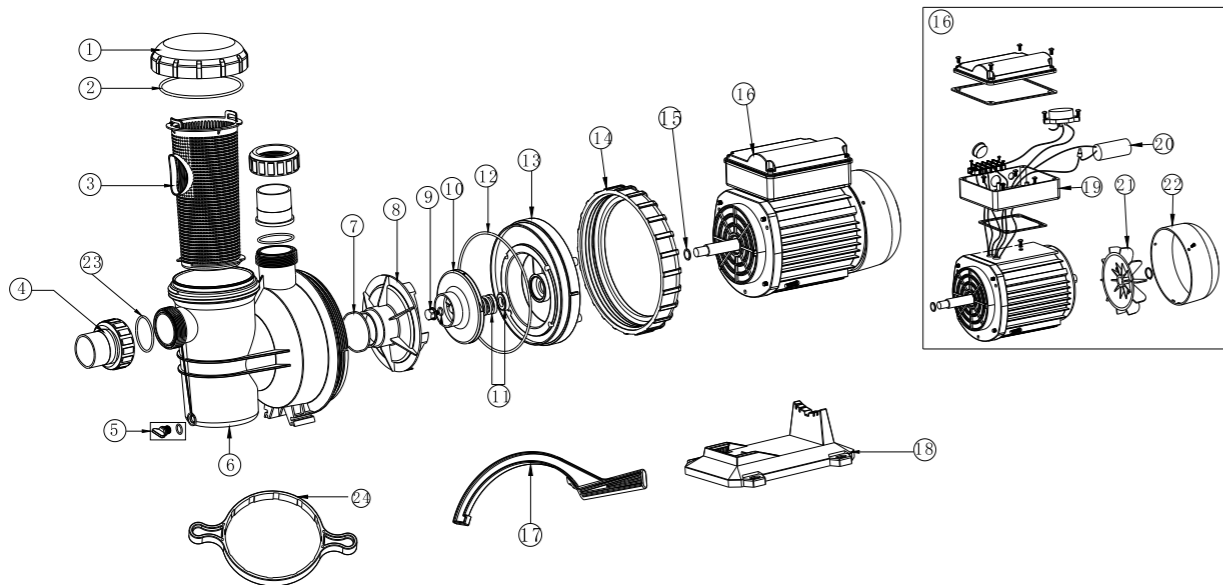
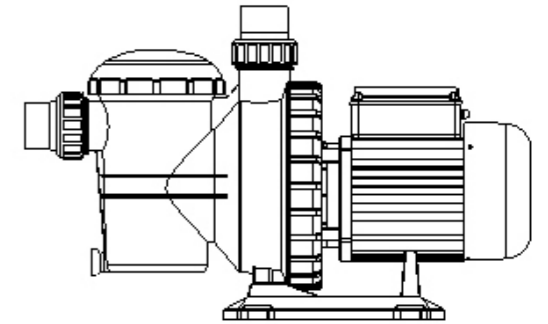


PUMP PARTS FOR SCUS



Key NO.	Part Number	Product Description	QTY
1	01041046	Transparent Lid	1
2	02021047	O-Ring for lid	1
3	01111076	Basket	1
4	89280105	1.5" Union	2
5	89021307	Drain Plug with O-Ring	1
6	01010036	SCUS Pump Body	1
7	02020043	O-Ring for Diffuser	1
8	01111009	Diffuser	1
9	89021704	Impeller Screw with o-ring	1
10	01311009	Impeller SCUS100(230/115V-60Hz)	1
	01311010	Impeller SCUS150(230/115V-60Hz)	1
	01311011	Impeller SCUS200(230/115V-60Hz)	1
11	04015032	3/4" Mechanical Seal	1
12	02020044	o-ring for Flange	1
13	01111008	SCUS Pump Flange	1
14	01010037	Ring Lock Nut	1
15	02020045	Motor Slinger	1
16	04020096	Motor SCUS100(230/115V-60Hz)	1
	04020097	Motor SCUS150(230/115V-60Hz)	1
	04020098	Motor SCUS200(230/115V-60Hz)	1
17	01021022	Opening Key	1
18	01100013	SCUS Pumps Base	1
19	01041053	Cable Box for SCUS Pump	1
20	04016041	Capalitor for SCUS Pump(SCUS1-1.5HP)	1
	04016042	Capalitor for SCUS Pump(SCUS2HP)	1
21	01031007	Cooling fan for SCUS Pump	1
22	01100014	Fan Cover	1
23	02020040	O-ring	2
24	01020014	Key for Transparent Lid	1

SCUS Series Centrifugal Pump Installation & Operating Instructions



IMPORTANT SAFETY INSTRUCTIONS

When installing and using this electrical equipment, basic safety precautions should always be followed, including the following:

1. READ AND FOLLOW ALL INSTRUCTIONS
2. WARNING - To reduce the risk of injury, do not permit children to use this product unless they are closely supervised at all times.
3. WARNING - Risk of Electric Shock. Connect only to a branch circuit protected by a ground-fault circuit-interrupter (GFCI). Contact a qualified electrician if you cannot verify that the circuit is protected by a GFCI.
4. The unit must be connected only to a supply circuit that is protected by a ground-fault circuit-interrupter (GFCI). Such a GFCI should be provided by the installer and should be tested on a routine basis. To test the GFCI, push the test button. The GFCI should interrupt power. Push the reset button. Power should be restored. If the GFCI fails to operate in this manner, the GFCI is defective. If the GFCI interrupts power to the pump without the test button being pushed, a ground current is flowing, indicating the possibility of an electric shock. Do not use this pump- Disconnect the pump and have the problem corrected by a qualified service representative before using.
5. CAUTION - This pump is for use with permanently installed pools and may also be used with hot tubs and spas if so marked. Do not use with storable pools. A permanently-installed pool is constructed in or on the ground or in a building such that it cannot be readily disassembled for storage- A storable pool is constructed so that it is capable of being readily disassembled for storage and reassembled to its original integrity.

WARNING – To reduce the risk of electric shock, replace damaged cord immediately.

SAVE THESE INSTRUCTIONS FOR FUTURE REFERENCE

INSTALLATION

Only qualified, licensed personnel should install pump and wiring.

IMPORTANT ELECTRICAL

EMAUX pumps must be wired to the main power supply through an approved and correctly rated contractor.

Pump Mount Must:

- ❖ Be on solid, level, rigid and vibration free surface.
- ❖ Allow pump suction inlet height to be as close to water level as possible.
- ❖ Allow use of short, direct suction pipe (To reduce friction losses.)
- ❖ Allow for gate valves in suction and discharge piping.
- ❖ Have adequate floor drainage to prevent flooding.
- ❖ Be protected from excess moisture.
- ❖ All adequate access for servicing pump and piping.

NOTICE:

Pump suction and discharge connections have moulded in thread stops, **DO NOT** try to tighten beyond these stops.

OPERATION



- ▲ **NEVER** run pump dry! Running pump dry may damage seals, causing leakage and flooding! Fill pump with water before starting motor.
 - ▲ Before removing lid:
STOP PUMP before proceeding.
CLOSE GATE VALVES in suction and discharge pipes.
RELEASE ALL PRESSURE from pump and piping system.
NEVER tighten or loosen screws while pump is operation.
 - ▲ Do not block pump suction! To do so with body may cause severe or fatal injury. Children using pool must **ALWAYS** have close adult Supervision!
- Priming Pump:**
- ❖ Release all air from filter and piping system: see filter owner manual.
 - ❖ In a flooded suction system (water source higher than pump), pump will prime itself when suction and discharge valves are opened.
 - ❖ If pump is not in a flooded suction system, unscrew and remove trap cover; fill trap and pump with water.
 - ❖ Clean and inspect Ring; re-install on trap cover.
 - ❖ Replace trap cover on trap; turn clockwise to tighten cover.
- NOTICE:** Tighten trap cover by hand only.
Pump should prime now. Priming time will depend on vertical length of suction lift and horizontal length of suction piping.

Routine Maintenance

- The only routine maintenance needed is inspection/cleaning of trap basket (pre-filter basket). Debris or trash that collects in basket, will choke off water flow through the pump. Follow instructions below to clean trap:
1. Stop pump, close gate valve in suction and discharge, and release all pressure from system before proceeding.
 2. Unscrew trap lid (pre-filter lid) by turning counterclockwise.
 3. Remove strainer basket and clean. Be sure all holes in basket are clear, flush basket with water and replace in trap (pre-filter) with the large opening at pipe connection port. If basket is replaced backwards cover will not fit on trap body.
 4. Clean and inspect lid.
 5. Clean the O-ring and its groove on trap body (pre-filter) and replace lid. To help keep lid from sticking, tighten by hand only.
 6. Prime pump (see priming instructions above)

SERVICE & REPAIR PARTS

- Refer all service to your local agent or dealer as his knowledge of your equipment makes him the best qualified source of information. Order all repair parts through your dealer. Give the following information when ordering repair parts:
1. Unit name, model number and part number.
 2. Description of part.

INSTALLATION

CAUTION: THE PUMP SHOULD BE INSTALLED ACCORDING TO YOUR LOCAL ELECTRICAL INSTALLATION RULES.

ONLY QUALIFIED, LICENSED PERSONNEL SHOULD INSTALL PUMP.

1. Locate pump as close to pool as possible, preferably in a dry, well ventilated area away from direct sunlight. It should be on a hard, level surface. Give consideration to:
 - a: Drainage far away from pump
 - b: Ventilation of pump motor
 - c: Access for future servicing and winterizing
2. Fixed the pump by screws onto the platform.
3. Connect the suction and discharge pipe to the outlet and inlet of the swimming pool.

TROUBLE SHOOTING

MOTOR DOES NOT START

1. Disconnect switch or circuit breaker in off position
2. Fuses blown or thermal overload open
3. Locked motor shaft
4. Motor windings burned out
5. Defective starting switch inside single phase motor
6. Disconnected or defective wiring
7. Low voltage

PUMP DOES NOT REACH FULL SPEED

1. Low voltage
2. Pump connected for wrong voltage

MOTOR OVERHEATS (protector trips)

1. Low voltage
2. Motor windings connected for wrong voltage on dual voltage model
3. Inadequate ventilation

PUMP DELIVERS NO WATER

1. Pump is not primed
2. Closed valve in suction or discharge line
3. Leakage or air into suction system
4. Impeller clogged

LEAKAGE OF WATER AT SHAFT

1. Shaft seal requires replacement

LOW PUMP CAPACITY

1. Valve in suction or discharge line partly closed
2. Suction or discharge line partly plugged
3. Suction or discharge line too small
4. Plugged basket in skimmer or hair and lint strainer
5. Dirty filter
6. Impeller clogged

HIGH PUMP PRESSURE

1. Discharge valve or inlet fittings closed too much
2. Return lines too small
3. Dirty filters

NOISY PUMP AND MOTOR

1. Plugged basket in skimmer or hair in lint strainer
2. Worn motor bearings
3. Valve in suction line partly closed
4. Suction line partly plugged
5. Vacuum hose plugged or too small
6. Pump not supported properly

AIR BUBBLES AT INLET FITTINGS

1. Leakage of air into suction line at connections or valve stem
2. Cover gasket of hair and lint strainer needs cleaning
3. Low water level in pool

NOTE: If the recommendations in the trouble shooting portion of this manual do not solve your particular problem(s), please contact your local dealer for service.