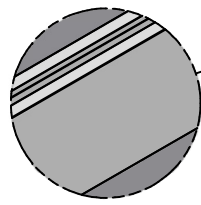


Parts List

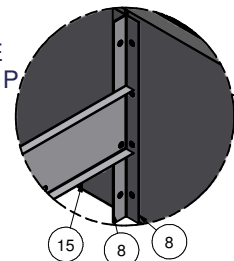
ITEM	QTY	PART NUMBER	DESCRIPTION
1	81	COP-KCVRET-W-1	COP COPING STIFFNER 1 5/8"-1PC
2	3	ESC-3212-EE	BRACE, MIDDLE CHANNEL SUPPORT
3	1	ESC-3646-BR	STRAIGHT, BOTTOM RISER
4	3	ESC-3646-BRS	BRACE, BOTTOM RISER SUPPORT
5	1	ESC-3646-MR	STRAIGHT, MIDDLE RISER
6	3	ESC-3646-MRS	BRACE, MIDDLE RISER SUPPORT
7	3	ESC-3646-TRS	BRACE, TOP RISER SUPPORT
8	4	ESC-3678-BB	BRACE, 20.5" X 1.5" X 1.5" X 90° L BRACKET
9	1	ESC-3678-TR	STRAIGHT, TOP RISER
10	2	ESC-3695-B	BRACE, 2-TRD RISER SUPPORT
11	2	ESC-3695-B2	BRACE, TOP RISER SUPPORT
12	2	ESC-3695-BR	STRAIGHT, BOTTOM RISER
13	1	ESC-3695-BW	STRAIGHT, BACK WALL
14	2	ESC-3695-BWE	STRAIGHT, BACK WALL, END
15	2	ESC-3695-CB	BRACE, CENTER SUPPORT
16	2	ESC-3695-MR	STRAIGHT, MIDDLE RISER
17	1	ESC-3695-SWL	STRAIGHT, SIDE WALL, LEFT
18	1	ESC-3695-SWR	STRAIGHT, SIDE WALL, RIGHT
19	2	ESC-3695-TR	STRAIGHT, TOP RISER
20	2	IPC-AB90	90 DEGREE BRACE
21	6	M0065-1	PANEL Z-RIB W/BUTTRESS HOLES
22	-	OPC-CONCREC-120	CONCRETE RECEPTOR, 54' REQUIRED
23	-	SSC-1099	BEAD RECEIVER, 64' REQUIRED

INCLUDE (2) PVC 6" RADIUS INSERTS WITH THIS STEP, 8" LONG.

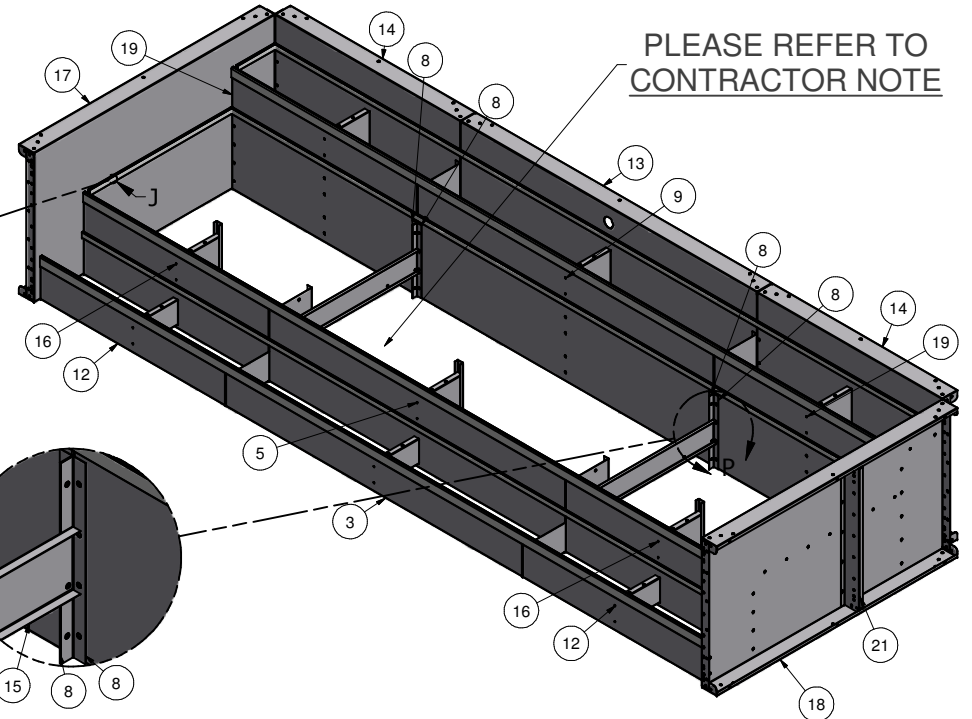
PLEASE REFER TO CONTRACTOR NOTE



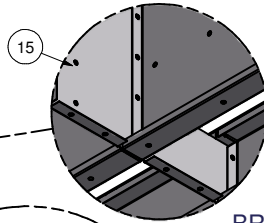
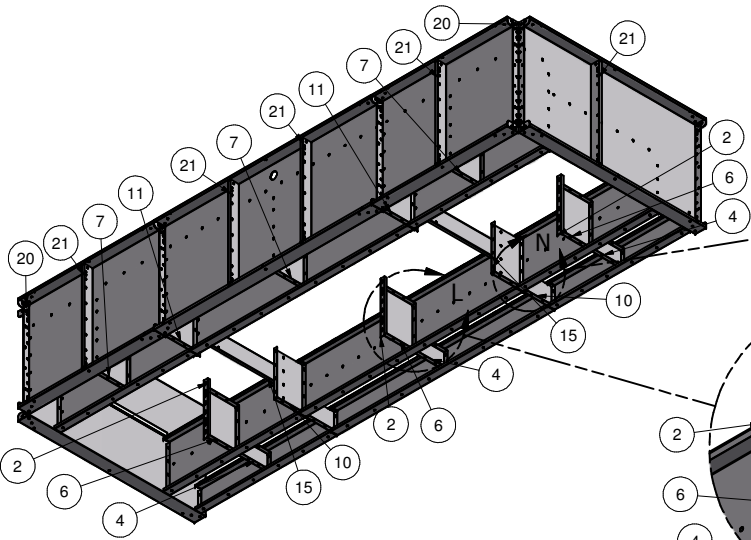
BEAD RECEIVER DETAIL J



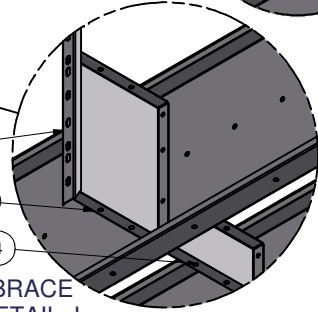
BRACE DETAIL P



KEEP BEAD RECEIVER ATTACHED TO THE RISERS AND WALL PANELS FOR SHIPPING. A TOTAL OF 766" (64') OF BEAD RECEIVER IS REQUIRED. KEEP CONCRETE RECEPTOR ATTACHED TO THE RISERS FOR SHIPPING. A TOTAL OF 648" (54') OF CONCRETE RECEPTOR IS REQUIRED.



BRACE DETAIL N



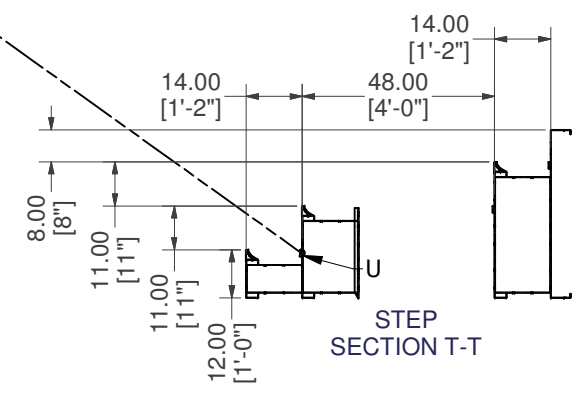
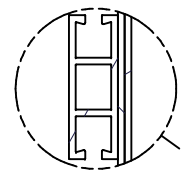
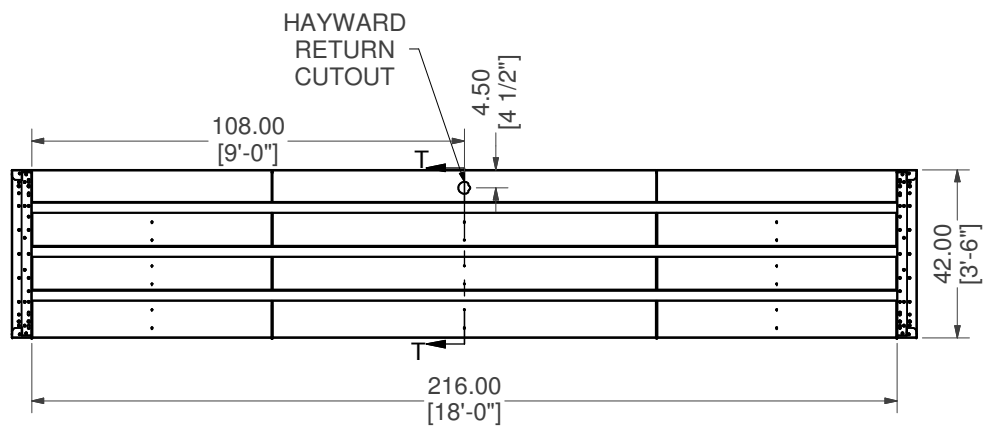
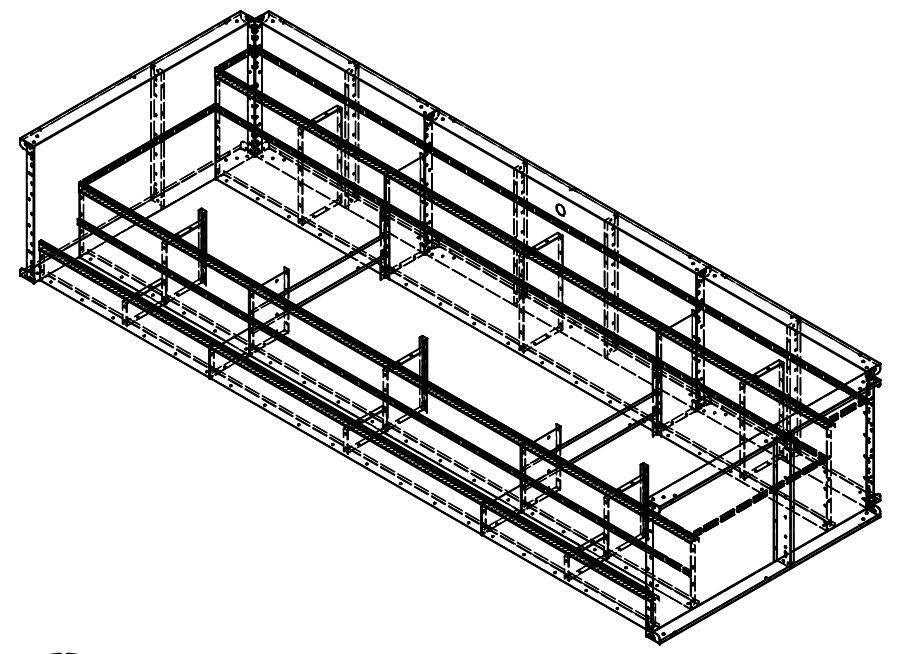
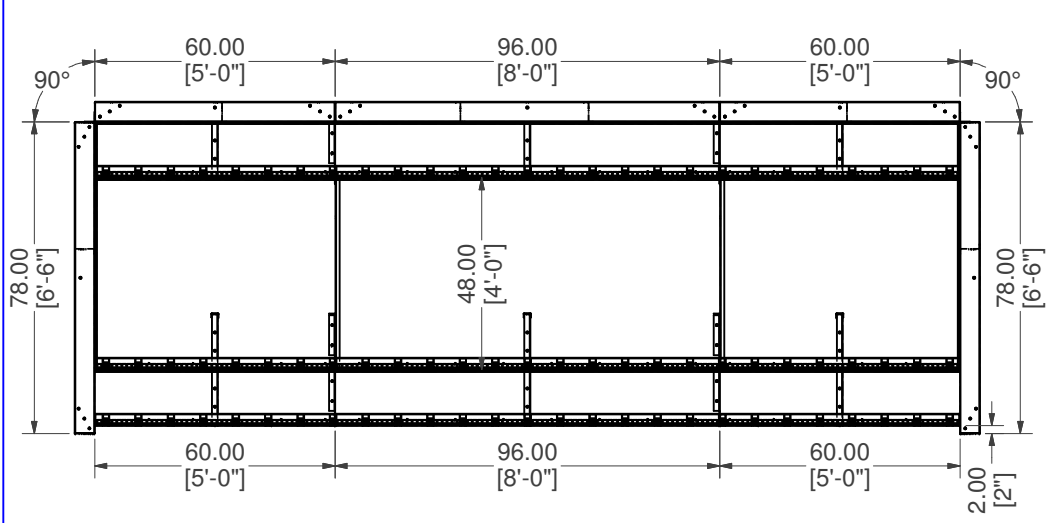
BRACE DETAIL L

NOTE: RIGHT SIDE PARTS ARE SYMMETRICAL TO LEFT SIDE PARTS SHOWN.

CONTRACTOR NOTE: BACKFILL WITH COMPACTED EARTH MATERIAL. FINISH WITH 2" OF HARDEN FLOOR MATERIAL TO A DEPTH LEVEL WITH TOP OF BEAD RECEIVER.

18' X 6'-6" OPEN TOP STEP W/ 4' SUNDECK

PART #: ESC-3695	WEIGHT: 987.93 lbm _{ass}	MACHINE TIME: N/A	FILE/DIRECTORY: C:\Vault\FTW\Design\CUSTOM STEPS\ESC-3695.idw
	TOLERANCES EXCEPT AS NOTED	MATERIAL:	DATE: 9/30/2016
	0/0 0.0 0.00 0.000 0' ±1/8 ±0.25 ±0.0625 ±0.03125 ±1/2"	DRAWN BY: BD	SHEET: 1 OF 13



NOTE:
RIGHT SIDE PARTS ARE SYMMETRICAL
TO LEFT SIDE PARTS SHOWN.

18' X 6'-6" OPEN TOP STEP W/ 4' SUNDECK

PART #: ESC-3695	WEIGHT: 987.93 lbmass	MACHINE TIME: N/A	FILE/DIRECTORY: C:\Vault\FTW\Design\CUSTOM STEPS\ESC-3695.idw
	TOLERANCES EXCEPT AS NOTED	MATERIAL:	DATE: 9/30/2016
	0/0 0.0 0.00 0.000 0'	DRAWN BY: BD	SHEET: 2 OF 13
±1/8 ±0.25 ±0.0625 ±0.03125 ±1/2'		NOTES:	