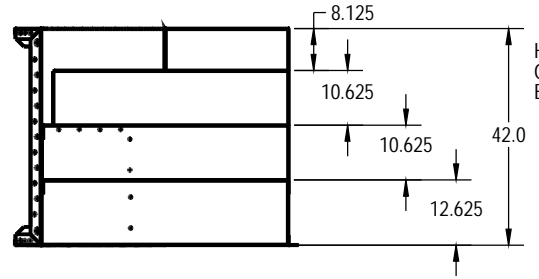
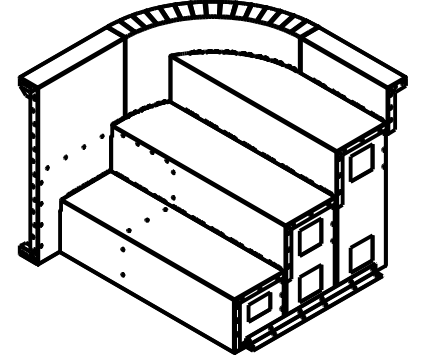
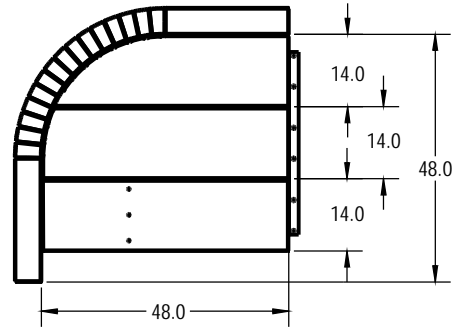
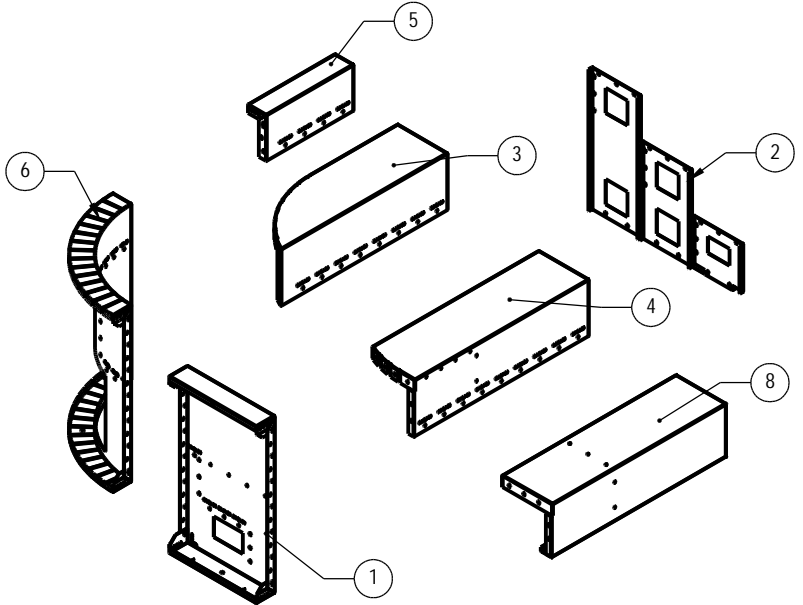
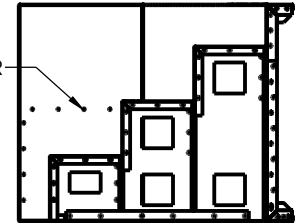


REVISION HISTORY					
REV.	DESCRIPTION	DATE	ECO	BY	
C	CORRECTED STEP ADAPTOR MOUNTING HOLES	10/20/14		L NELSON	
D	ADDED LINER TRACK TO STEP ENDS	03/19/19		CWHEELER	
E	REMOVED BENCH ADAPTOR	05/08/19		CWHEELER	



HOLES FOR  
OPTIONAL  
BENCH ADAPTOR



- NOTES:**
- THESE ARE FINISHED DIMENSIONS READY FOR THE LINER.
  - DIMENSIONS ARE FROM INSIDE POOL PANELS.
  - THE IDEAL WATER LEVEL SHOULD BE TO THE MIDDLE OF THE SKIMMER OPENINGS.
- EXCAVATION NOTES:**
- ROUGH EXCAVATION SHOULD BE 2" DEEPER IN EACH INSTANCE.
  - SOIL TO HAVE MINIMUM BEARING CAPACITY OF 1500 PSF.
  - LOCATE TOP OF POOL AT LEAST 4" ABOVE THE SURROUNDING LAND ELEVATION.
  - SEE "OVER DIG DETAIL" FOR EXCAVATION AROUND POOL.
  - FILL VOIDS UNDER BASE OF PANELS AND TAMP WELL.
  - BACK FILL WITH NON-EXPANSIVE MATERIAL.
  - ANSI/APSP/ICC-5 FOR RESIDENTIAL POOLS, 2003-2007 BOCA CODE SECTION 421.

**IMPORTANT NOTES:**

THIS DOCUMENT IS FOR ILLUSTRATIVE PURPOSES ONLY. THE DEALER OR CONTRACTOR WHO SELLS OR INSTALLS YOUR POOL IS AN INDEPENDENT CONTRACTOR AND IS NOT AN AGENT OF THE MANUFACTURER. THE CONSTRUCTION METHODS ILLUSTRATED HERE ARE SUGGESTIONS AND APPLY ONLY TO NORMAL GROUND CONDITIONS. THERE MAY BE ADDITIONAL PRECAUTIONS AND/OR METHODS OF CONSTRUCTION. PROPER INSTALLATION IS THE RESPONSIBILITY OF THE DEALER/BUILDER/CONTRACTOR.

USE 00004135  
BENCH ADAPTOR

00004126

**UNLESS OTHERWISE SPECIFIED**  
DIMENSIONS ARE IN INCHES  
TOLERANCES  
DECIMALS: X + 0.1  
              XX + 0.01  
              XXX + 0.005  
              XXXX + 0.0005  
ANGULAR: X + 0.5  
THIRD ANGLE PROJECTION

DESIGNED BY: L NELSON  
DATE: 09/27/13  
RETAILED BY: CWHEELER  
DATE: 10/23/2013  
LAST REVISED BY: CWHEELER  
DATE: 05/08/19  
MATERIAL:

SAMSON STEEL  
TITLE: STEP, 3 TREAD, 2' RADIUS, LEFT END, BENCH OPTION, SUB ASSEMBLY

ITEM	FILE NAME	DESCRIPTION	CUSTOMER DRAWING #	VENDOR PART #	QTY.
1	00023660	PANEL, STEP, 3 TREAD WITH STEP END LINER TRACK, 2 RADIUS, LEFT SIDE, BENCH OPTION	00023660		1
2	00004115	SUPPORT, CENTER, 3 TREAD STEP ASSEMBLY			1
3	00004132	TREAD, STEP, 3 TREAD, 2 RADIUS, "B", LEFT SIDE			1
4	00023659	TREAD, STEP, 3 TREAD, 2 RADIUS, "C", LEFT SIDE			1
5	00004131	TREAD, STEP, 3 TREAD, 2 RADIUS, "A", LEFT, 2' LONG	00004131	00004131	1
6	00004130	PANEL, RADIUS, STEP, 3 TREAD, 2 RADIUS, RIGHT SIDE, BENCH OPTION, ASSEMBLY			1
7	HBOLT 0.3750-16X1-N				102
8	00023654	TREAD, STEP, 3 TREAD, "D", BENCH OPTION WITH LINER TRACK, 4' LONG, RIGHT SIDE	00023654		1
9	INUT 0.3750-16-N				102

PART NUMBER: HSS3M2RBL  
SCALE: 1/2" = 1'-0"  
SHEET: 1 OF 1  
SIZE: B