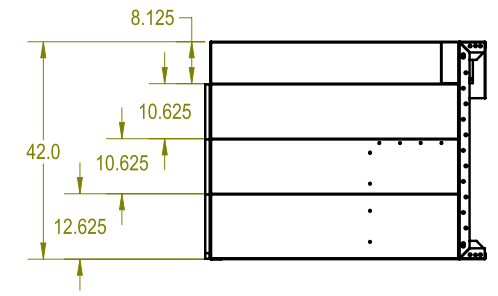
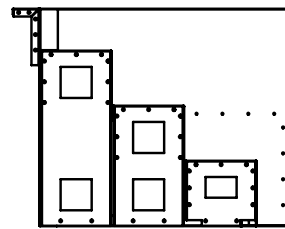
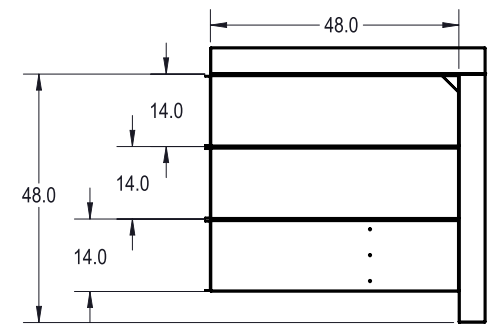
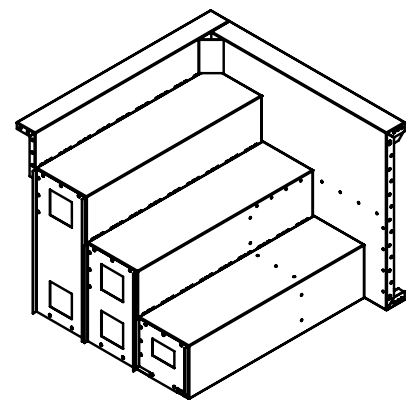
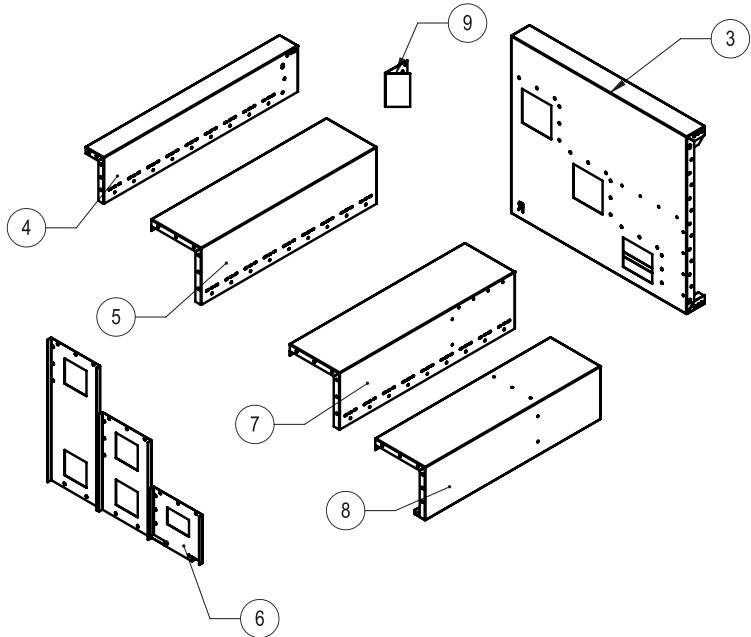


REVISION HISTORY				
REV.	DESCRIPTION	DATE	ECO	BY
A	WORKING	10/24/2013		LNELSON
B	ADDED CUSTOMER NUMBER	04/29/14		ROOLBOCH



- NOTES:**
- THESE ARE FINISHED DIMENSIONS READY FOR THE LINER.
 - DIMENSIONS ARE FROM INSIDE POOL PANELS.
 - THE IDEAL WATER LEVEL SHOULD BE TO THE MIDDLE OF THE SKIMMER OPENING(S).
- EXCAVATION NOTES:**
- ROUGH EXCAVATION SHOULD BE 2" DEEPER IN EACH INSTANCE.
 - SOIL TO HAVE MINIMUM BEARING CAPACITY OF 1500 PSF.
 - LOCATE TOP OF POOL AT LEAST 6" ABOVE THE SURROUNDING LAND ELEVATION.
 - SEE "OVERLAP DETAIL" FOR EXCAVATION AROUND POOL.
 - FILL VOIDS UNDER BASE OF PANELS AND TAMP WELL.
 - BACK FILL WITH NON-EXPANSIVE MATERIAL.
 - ANSI/APSP/ICC-6 FOR RESIDENTIAL POOLS, 2003-2007 BOCA CODE SECTION 421.
- IMPORTANT NOTES:**
- THIS DOCUMENT IS FOR ILLUSTRATIVE PURPOSES ONLY. THE DEALER OR CONTRACTOR WHO SELLS OR INSTALLS YOUR POOL IS AN INDEPENDENT CONTRACTOR AND IS NOT AN AGENT OF THE MANUFACTURER. THE CONSTRUCTION METHODS ILLUSTRATED HERE ARE SUGGESTIONS AND APPLY ONLY TO NORMAL GROUND CONDITIONS. THERE MAY BE ADDITIONAL PRECAUTIONS AND/OR METHODS OF CONSTRUCTION. PROPER INSTALLATION IS THE RESPONSIBILITY OF THE DEALER/BUILDER/CONTRACTOR.

USE 00004122
BENCH ADAPTOR

ITEM	FILE NAME	DESCRIPTION	CUSTOMER DRAWING #	VENDOR PART #	QTY.	VENDOR NAME	MATERIAL
1	00000306	HNUT 0.3750-16-D-N		H03163	102	HYDRA POOLS	ALSI 1020
2	00000305	HBOLT 0.3750-16x14-N		H03162	102	HYDRA POOLS	ALSI 1020
3	00004147	PANEL, STEP, 3 TREAD, RIGHT SIDE, BENCH OPTION, ASSEMBLY			1		
4	00004148	TREAD, STEP, 3 TREAD, "A", 4' 5.125" LONG			1	SAMSON STEEL	G-235,14 GA
5	00004149	TREAD, STEP, 3 TREAD, "B", 4' LONG			1	SAMSON STEEL	G-235,14 GA
6	00004115	SUPPORT, CENTER, 3 TREAD STEP, ASSEMBLY			1		
7	00004150	TREAD, STEP, 3 TREAD, "D", BENCH OPTION, 4' LONG, RIGHT SIDE			1	SAMSON STEEL	G-235,14 GA
8	00004151	TREAD, STEP, 3 TREAD, "D", BENCH OPTION, 4' LONG, RIGHT SIDE			1	SAMSON STEEL	G-235,14 GA
9	00004159	STEP, 3 TREAD, 90 DEGREE, CORNER, 6" RADIUS FILLER			1	SAMSON STEEL	G-235,14 GA

WEIGHT: 204.4 lbs VOLUME: Inch ³ COLOR: HEAT TREAT: FINISH: TEXTURE:	UNLESS OTHERWISE SPECIFIED DIMENSIONS ARE IN INCHES TOLERANCES DECIMALS: X ± 0.1 XX ± 0.01 XXX ± 0.005 XXXX ± 0.0005 ANGULAR: X ± 0.5 THIRD ANGLE PROJECTION	DESIGNED BY: LNELSON DETAILED DATE: 10/1/2013	CREATION DATE: 10/1/2013
		LAST REVISED BY: Inelson MATERIAL:	DETAILED DATE: 10/10/2014 LAST REVISED DATE: 10/9/2014
PART NUMBER: HSS3MRB		TITLE: STEP, 3 TREAD, RIGHT END, BENCH OPTION, SUB ASSEMBLY	
SCALE: 1:16 SHEET: 2 OF 3		SIZE: B	