



HAYWARD®

TriStar® VS 900

»»» Variable-Speed Pump



EXPERT LINE

NOT SOLD ONLINE



TriStar VS 900 is the first Hayward® variable-speed pump designed exclusively for the trade. Right-sized for the majority of high-performance applications, TriStar VS 900 pays for itself faster than larger, more expensive variable-speed models.



INDUSTRY-LEADING ENERGY EFFICIENCY

With their advanced hydraulic design, integrated variable-speed control and permanent magnet motor, TriStar VS pumps are the most energy-efficient pumps on the market, according to EPA ENERGY STAR® third-party testing. Their ENERGY STAR® rating also means owners may be eligible for local energy rebates.



DESIGNED FOR DURABILITY

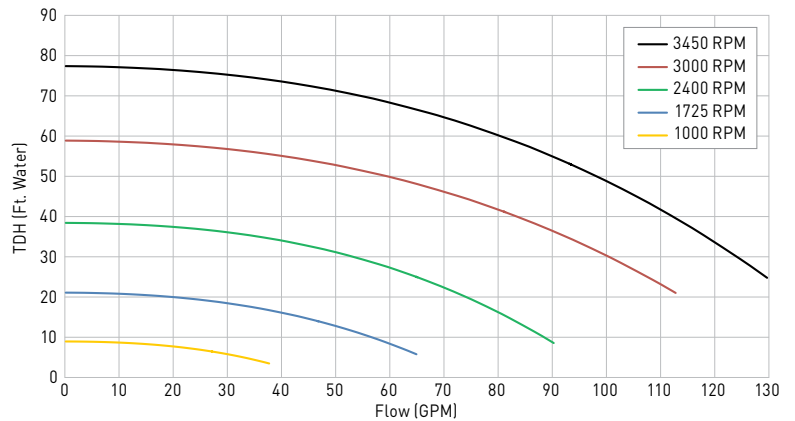
Built with a chemical-resistant Viton® seal and accompanied by a 3-year extended warranty, TriStar VS 900 offers powerful corrosion protection for years of reliable performance.



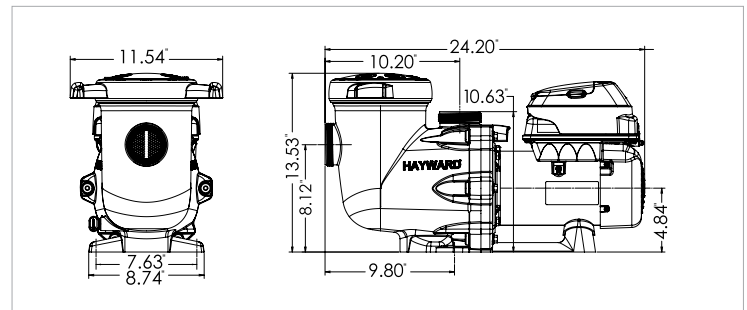
EASY INSTALLATION & MAINTENANCE

2" x 2½" CPVC union connections make TriStar VS 900 easy to install and service. An extra-large, no-rib strainer basket allows for easy debris removal, while two pump-base options allow for seamless retrofitting, anywhere.

TRISTAR VS 900 PERFORMANCE COMPARISON



TRISTAR VS 900 DIMENSIONS (INCHES)



WALL MOUNTABLE DIGITAL INTERFACE

SPECIFICATIONS

MODEL NUMBER	STAND ALONE	RELAY CONTROL	HAYWARD® AUTOMATION	TOTAL HP	VOLTS	SPEED RANGE	UNION CONNECTIONS	WARRANTY
SP3202VSP	•	•	•	1.85	230V	600-3450 RPM	2" x 2.5"	3 years

* Compared to single-speed pumps.

» hayward.com » 1-888-HAYWARD | Pumps » Filters » Heating » Cleaners » Sanitization » Automation » Lighting » Water Features » White Goods

Hayward and TriStar are registered trademarks of Hayward Industries, Inc. © 2018 Hayward Industries, Inc. ENERGY STAR is a registered mark owned by the U.S. government.

SPECTSVS90018

TriStar VS 900 pumps are listed by:

