



READ THIS FIRST

Read and follow the safety instructions listed below and other basic safety precautions before installation or operation of this transformer and other associated equipment.

⚠ WARNING Risk of Fire or Electrical Shock

- If installation involves running wire through a building structure, special wiring methods are needed.
- Do Not submerge transformer.
- Do Not exceed the maximum ratings of individual components, wiring devices, and current carrying capacity of conductors.
- Select cable for each secondary output in accordance with tables in this manual.
- Select power source by combining bulb wattage.

These Safety Transformers are specifically designed to supply 12 VAC to swimming pool and spa luminaries.

Canada Only:

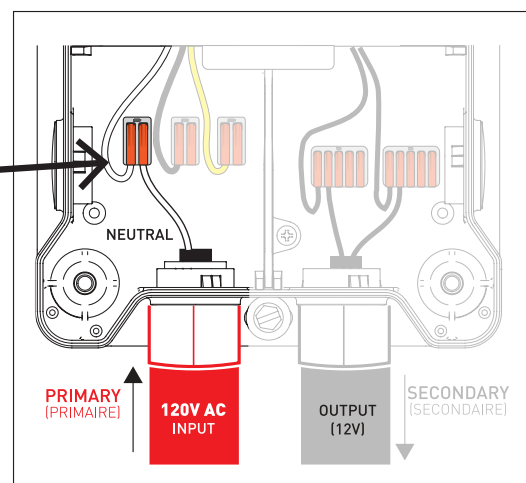
For pre-installed plugged versions LVX50P & LVX100P, please ensure transformer is connected to a **CLASS A** type GFCI protected outlet

Installation must comply with provisions of the National Electrical Code, ANSI/NFPA 70, including those in Article 680 - Swimming Pools, Spas, Fountains and Water Features.

WIRING

1 NEUTRAL CONNECTION

- 1 CONNECT THE 'WHITE' NEUTRAL WIRE FROM THE BRANCH WIRE TO THE 'WHITE' INPUT LEAD OF THE TRANSFORMER



WIRING CONT.

2 120V CONNECTION

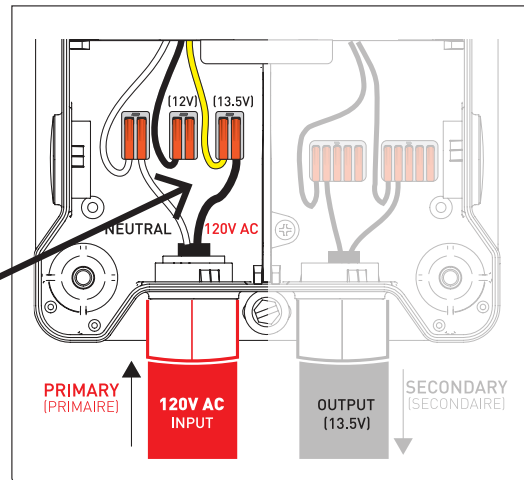
IMPORTANT

THE LVX SERIES TRANSFORMER CAN BE CONFIGURED TO OUTPUT EITHER 12V AC OR 13.5V AC

1 CONNECT THE 'BLACK' 120V (HOT) WIRE TO:

BLACK INPUT LEAD = 12V

YELLOW INPUT LEAD = 13.5V



13.5V CONFIGURATION SHOWN



NOTICE

Ensure the unused input lead remains adequately insulated. (CAPPED)
DO NOT CONNECT UNUSED ACTIVE INPUT TO GROUND.

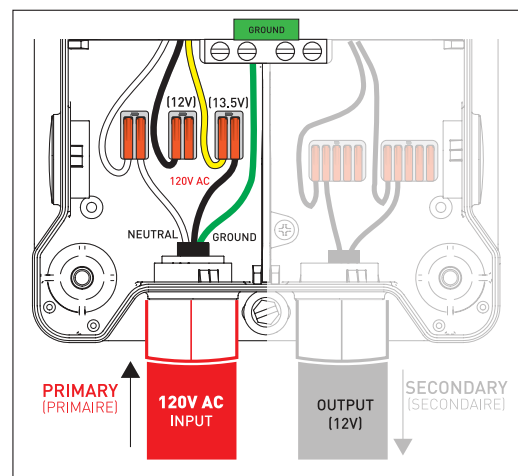
GROUNDING

1 CONNECTING GROUND

IMPORTANT

THE LVX SERIES TRANSFORMER DOES **NOT** REQUIRE GROUNDING. A GROUNDING BAR IS PROVIDED IN BRANCH WIRED CONFIGURATIONS FOR CONVENIENCE ONLY.

- 1 CONNECT GROUND WIRE FROM SUPPLY INPUT TO GROUNDING BAR.
- 2 USE REMAINING POSITIONS TO CONNECT ANY ADDITIONAL GROUND WIRES. ENSURING NO WIRING PASSES BETWEEN PRIMARY AND SECONDARY COMPARTMENTS.



FOR ASSISTANCE PLEASE VISIT
WWW.SPAELECTRICS.COM

Spa Electrics