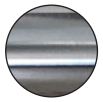
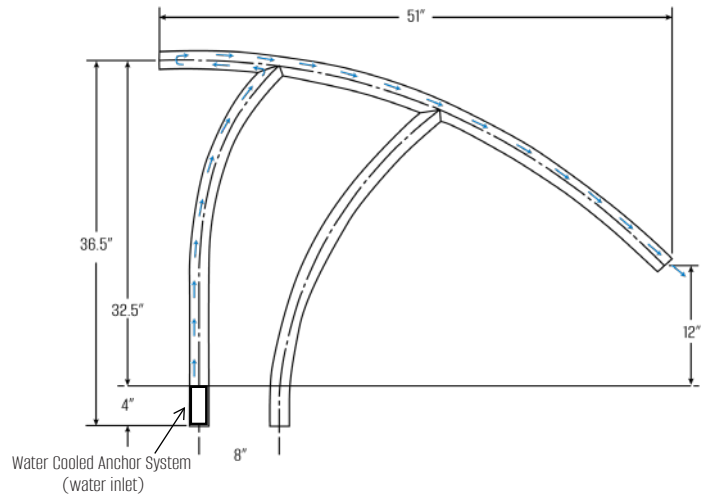
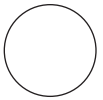


MODERN COOLEST HANDRAIL™

- Internal water flow technology keeps the rail cool to the touch
- Maintains rail temperature within 15 degrees of the water's temperature
- 304 stainless steel construction
- Constructed of 1.9" OD and .065" wall thickness
- Powder coat options are salt water friendly
- Water flow of 5-8 gpm
- Built-in water feature



Polished



White



Sand



Copper Vein



Silver Vein

PART NUMBER	DESCRIPTION
GPP-MR-HR-SS-CR	Modern Coolest Handrail .065" Wall Polished
GPP-MR-HR-WH-CR	Modern Coolest Handrail .065" Wall White
GPP-MR-HR-SD-CR	Modern Coolest Handrail .065" Wall Sand
GPP-MR-HR-CV-CR	Modern Coolest Handrail .065" Wall Copper Vein
GPP-MR-HR-SV-CR	Modern Coolest Handrail .065" Wall Silver Vein
GPP-CR-ANC8	8" Center Anchor for Coolest Handrail

Can be upgraded to Marine Grade 316. When ordering, add "-M" following the color code.
Anchor system not included.

