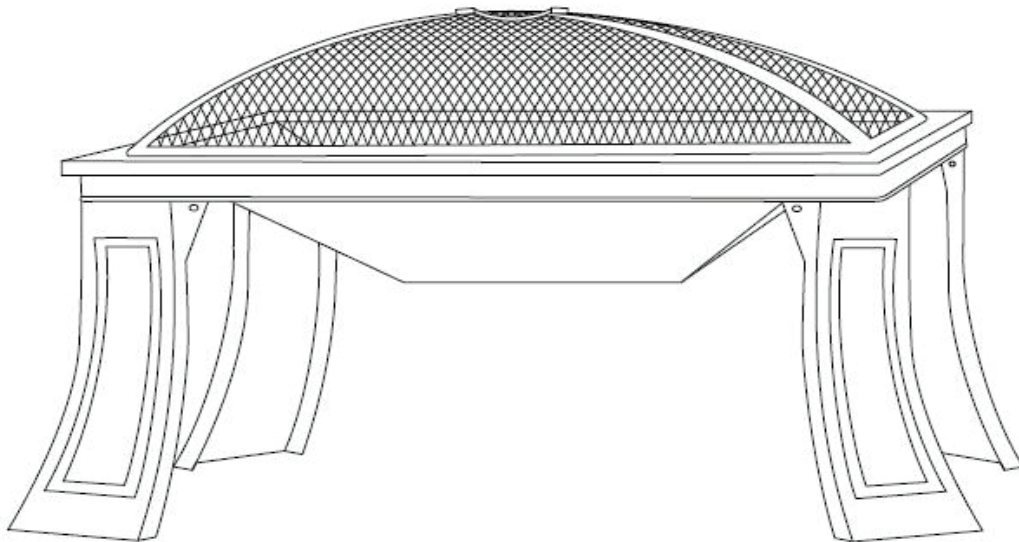




NU6918

RIVERSIDE 26-IN SQUARE FIRE PIT

Assembly Instructions



Questions, problems, missing parts?

Before returning to your retailer, call our Consumer Hotline at 1-800-759-0977, Monday – Friday, 8 a.m. – 5 p.m. (CST).

THANK YOU!

Thank you for purchasing this product! We work around the clock and around the globe to ensure that our products maintain the highest possible quality. However, in the rare case of issues during assembly or use of this product, please contact our **Consumer Hotline** at **1-800-759-0977** for immediate assistance before contacting your retailer. Please read the warranty information at the back of this User Manual for further details.

SAFETY INFORMATION

Please read and follow ALL instructions before assembling or using this product, particularly the safety statements. Failure to follow instructions and warnings could result in damage to property, serious injury or death

WARNING



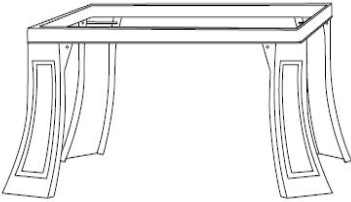

- **Fire pit for outdoor use only. Never use in enclosed area. Use in unventilated areas will endanger your life.**
- **Do not use fire pit on or near combustible surfaces or structures such as wood decks, dry leaves or grass, vinyl or wood siding, etc.**
- **Keep away from house, garage, balconies, or overhangs.**
- **Use on level, non-combustible surface only.**
- **Keep away from all combustible materials including gasoline and other flammable liquids and vapors.**
- **Never use flammable accelerants, such as: gasoline, alcohol, paint thinners, kerosene, etc. to start a fire. Serious injury or property damage could result.**
- **Screen will become hot when in use! Failure to wear protective gloves could lead to injury.**
- **Avoid using during dry or windy conditions.**
- **Keep out of reach of children.**
- **Do not overfill or use to burn leaves or trash.**
- **Exercise the same care you would with an open fire.**
- **Never leave unit unattended while hot or in use.**
- **Completely extinguish fire before leaving.**
- **Ashes can remain hot for a long time after fire is extinguished.**
- **Dispose of cold ashes properly.**
- **Use storage case only when unit is cool to the touch.**
- **Contact local authorities regarding possible burn restrictions before using product.**

SAFETY INFORMATION



INSTALLATION AND ASSEMBLY

PARTS LIST

ITEM	IMAGE	PART DESCRIPTION	PART NUMBER	PART QTY
A		Spark Screen	NUP4345	1
B		Fire Bowl	NUP4346	1
C		Folding Stand Assembly	NUP4347	1
D		Lift Tool	NUP4348	1

INSTALLATION AND ASSEMBLY

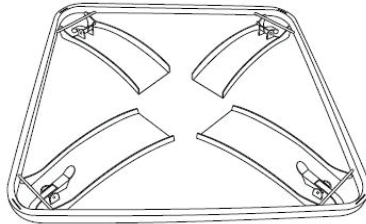
ASSEMBLY

STEP 1:

Open folded stand (C) by pushing down each leg.

STEP 2:

Place Leg Clip (C1) over each stand corner (Figure 1).

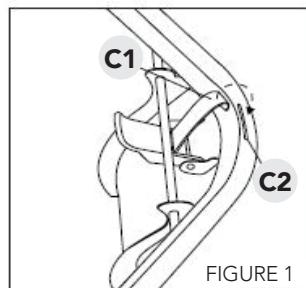


STEP 3:

Insert end of Leg Clip (C1) into Stand Slot (C2) (Figure 1).

STEP 4:

Push down Leg Latch (C3) to securely lock leg in place (Figure 2).

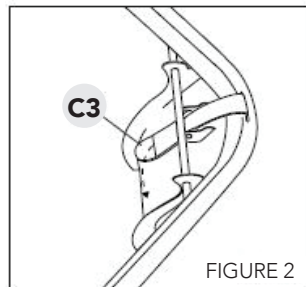


STEP 5:

Ensure each leg is securely locked in position.

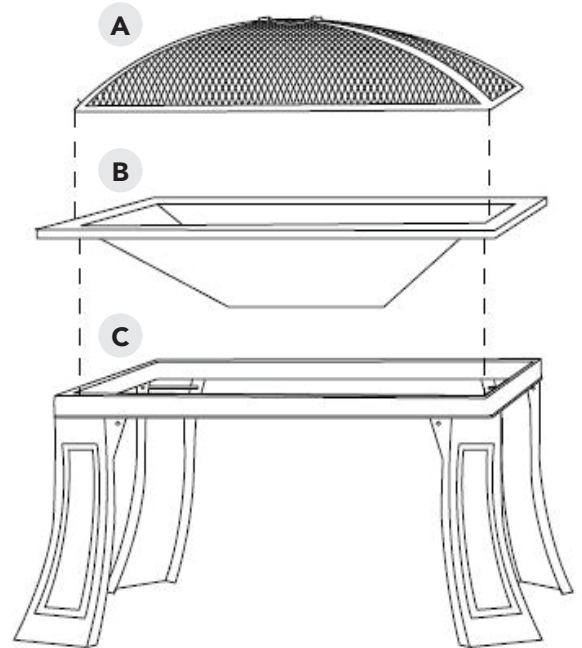
STEP 6:

Place Fire Bowl (B) on assembled stand.



STEP 7:

Place Spark Screen (A) on Fire Bowl.



CARE AND MAINTENANCE

- Fire bowl may be cleaned with water and mild detergent.
- Fire bowl will change colors after use.
- Carry case can be cleaned with damp cloth and mild detergent.
- Do not use abrasive detergents or pads to clean bowl.
- As with any outdoor grill, periodic maintenance is required to return painted steel surfaces to original appearance. Remove any rust with sandpaper or steel brush and repaint with grill paint suitable for high-temperature surfaces. Follow manufacturer's instructions.
- Maintenance is required before or after every season of use.

PRODUCT WARRANTY

1-YEAR LIMITED WARRANTY

This product is warranted to the original purchaser to be free from defects in material or workmanship for a period of one (1) year from the date of the original retail purchase.

This warranty does not cover defects or damage due to improper installation, alteration, accident, or any other event beyond the control of the manufacturer. Defects or damage resulting from misuse, abuse, or negligence will void this warranty. This warranty does not cover scratching or damage that may result from normal usage.

This product is not intended for institutional or commercial use; the manufacturer does not assume any liability for such use. Institutional or commercial use will void this warranty.

This warranty is nontransferable and is expressly limited to the repair or replacement of the defective product. During the warranty period, the manufacturer shall repair or replace defective parts at no cost to the purchaser. Shipping charges and insurance are not covered and are the responsibility of the purchaser. Labor charges and related expenses for removal, installation, or replacement of the product or components are not covered under this warranty.

The manufacturer reserves the right to make substitutions to warranty claims if parts are unavailable or obsolete.

The manufacturer shall not be liable for loss of use of the product or other consequential or incidental costs, expenses, or damages incurred by the consumer for any other use. The user assumes all risk of injury resulting from the use of this product.

This warranty is expressly in lieu of all other warranties, expressed or implied, including warranties of merchantability or fitness for use to the extent permitted by federal or state law. Neither the manufacturer nor any of its representatives assume any other liability in connection with this product.

All warranty claims must be made through the retailer where the product was originally purchased. A purchase receipt or other proof of date of purchase will be required to process all warranty claims. The model number and part numbers found within the assembly instructions will be required when submitting any part requests or warranty claims.

**For further warranty information or inquiries, please call 1-800-759-0977
or email warranty@splashnetxpress.com**



Blue Wave Products, Inc.
1745 Wallace Avenue, Suite B
Saint Charles, IL 60174