

4

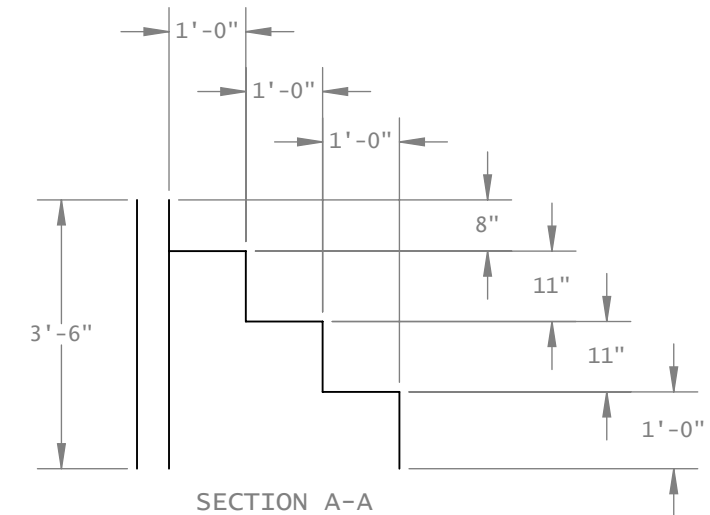
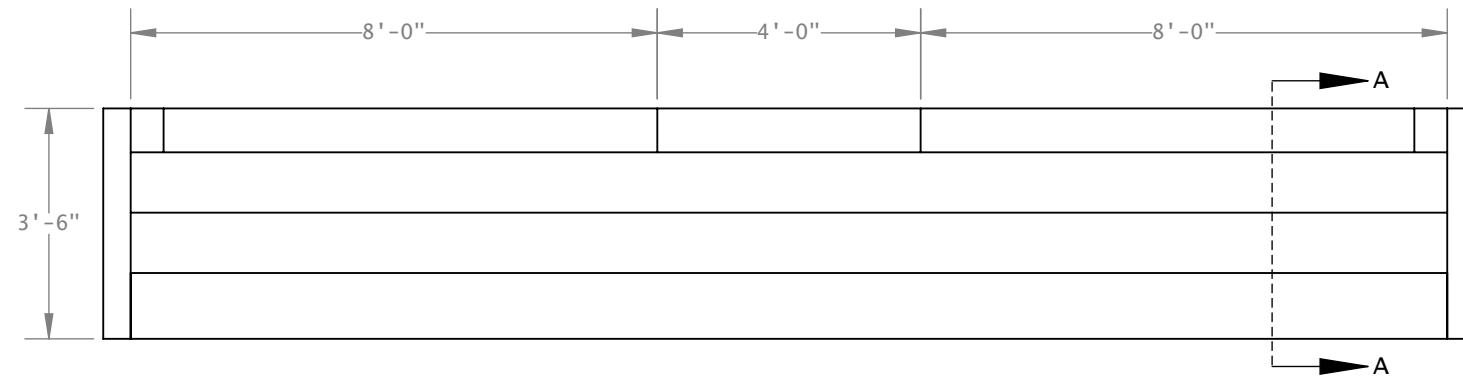
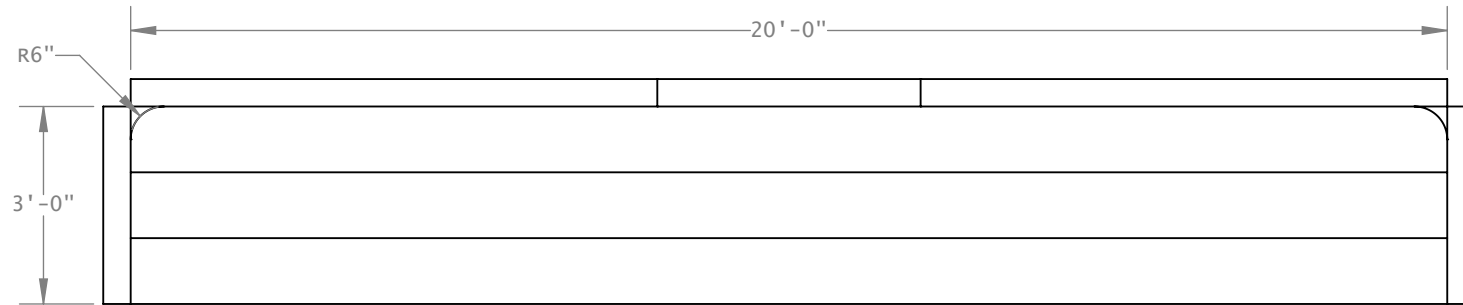
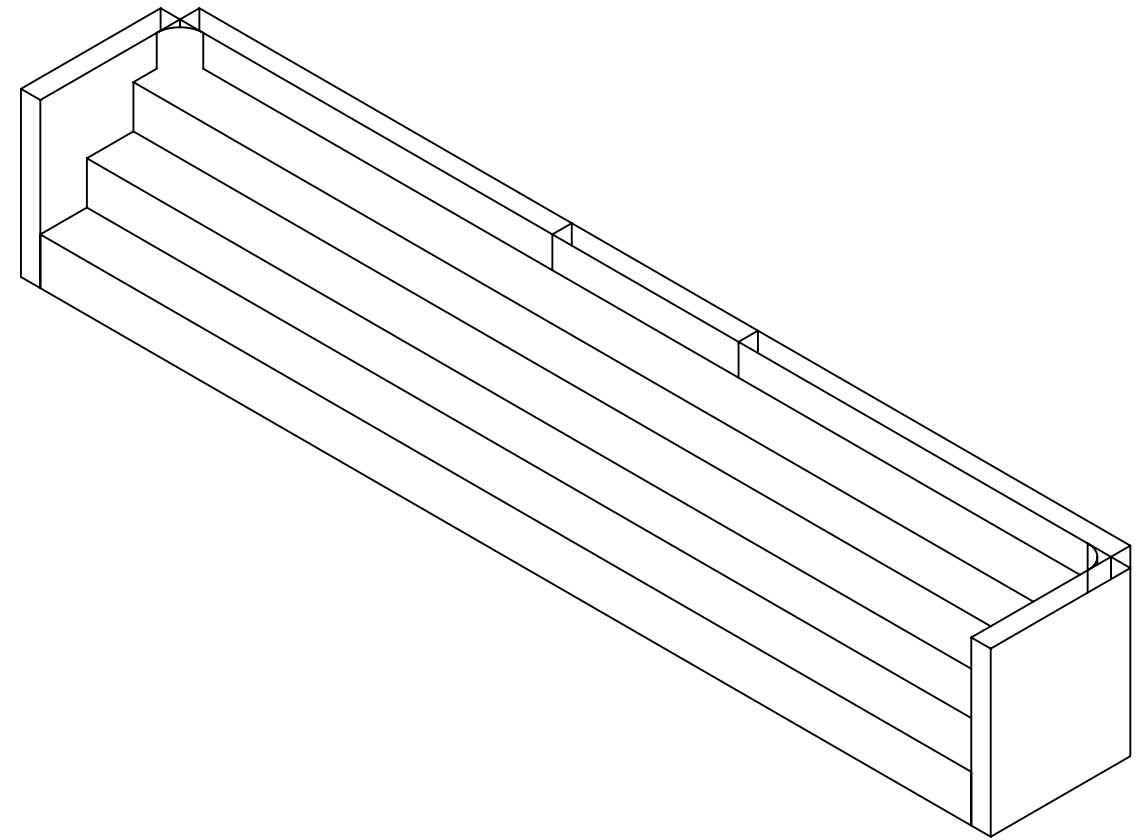
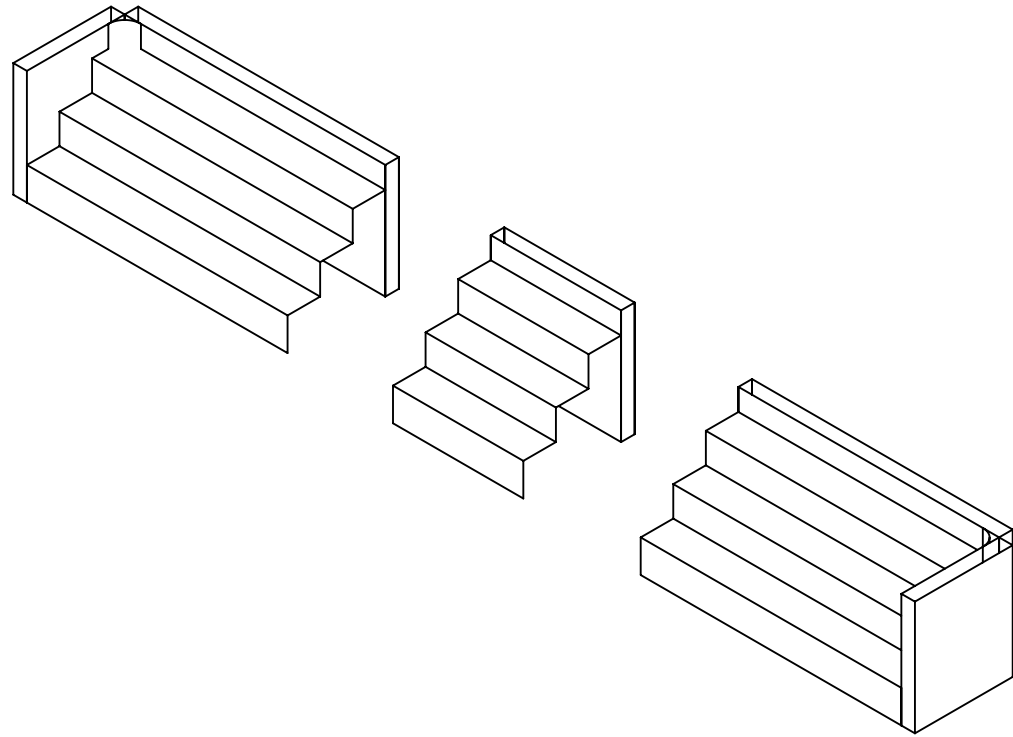
3

2

1

B

B



SECTION A-A  
SCALE 1 : 30

A

A

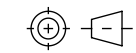
4

3

2

1

THIRD ANGLE PROJECTION



DIMENSIONAL UNITS

FT-IN



THIS INFORMATION CONTAINED IN THE DRAWING IS THE SOLE PROPERTY OF ROYAL SWIMMING POOLS, ANY REPRODUCTION IN PART OR WHOLE WITHOUT THE WRITTEN PERMISSION OF ROYAL SWIMMING POOLS IS PROHIBITED.

DESCRIPTION  
**20' MALACH STEEL MODULAR STEPS 42" OPEN TOP**

SIZE B	SCALE NTS	SHEET 1 OF 1	PART NO. 0-S0-42H-20W	REV. 00
-----------	--------------	-----------------	--------------------------	------------