

4

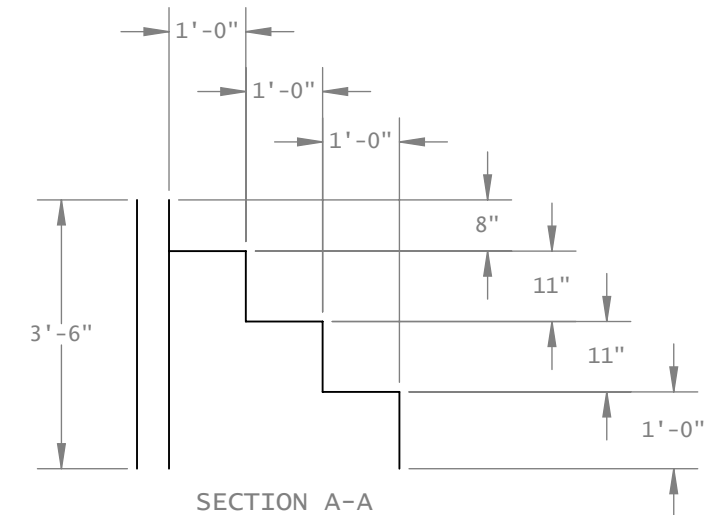
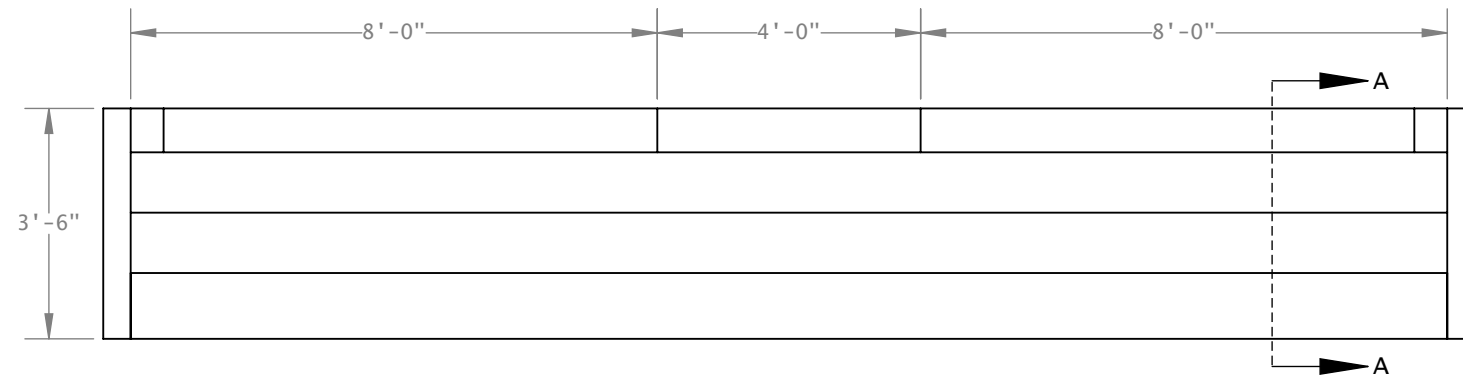
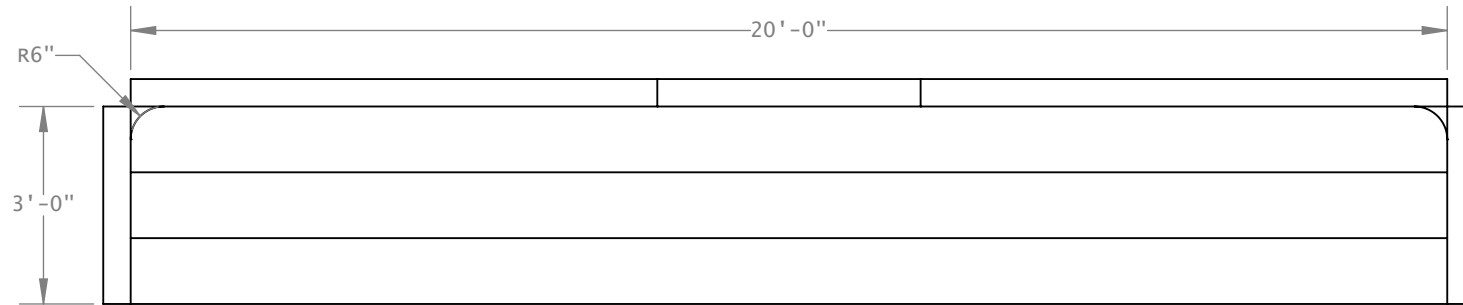
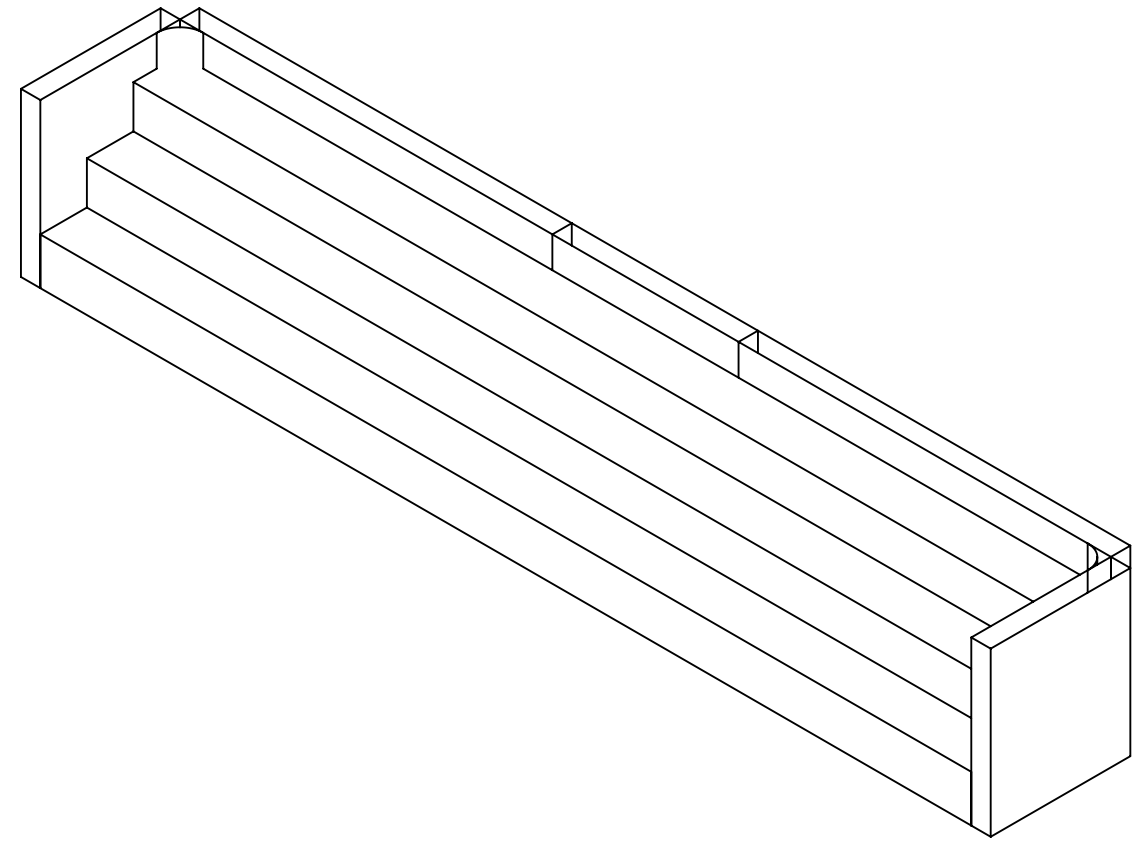
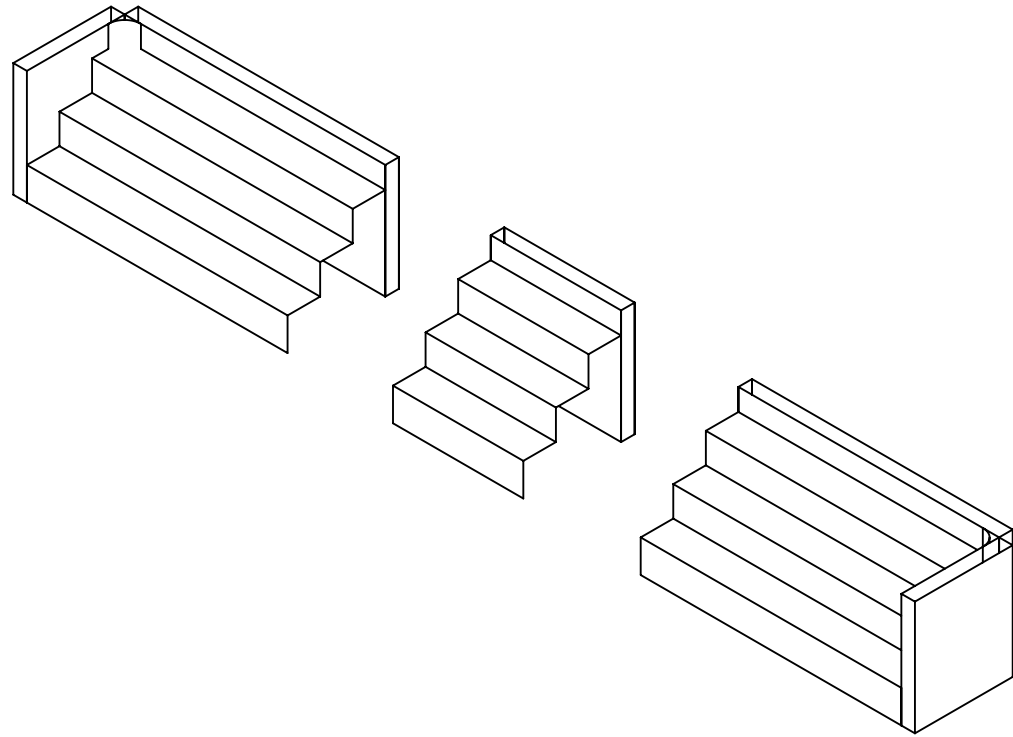
3

2

1

B

B



SECTION A-A
SCALE 1 : 30

A

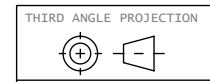
A

4

3

2

1



DIMENSIONAL UNITS
FT-IN



THIS INFORMATION CONTAINED IN THE DRAWING IS THE SOLE PROPERTY OF ROYAL SWIMMING POOLS, ANY REPRODUCTION IN PART OR WHOLE WITHOUT THE WRITTEN PERMISSION OF ROYAL SWIMMING POOLS IS PROHIBITED.

DESCRIPTION
20' MALACH STEEL MODULAR STEPS 42" OPEN TOP

SIZE B	SCALE NTS	SHEET 1 OF 1	PART NO. 0-S0-42H-20W	REV. 00
-----------	--------------	-----------------	--------------------------	------------