

4

3

2

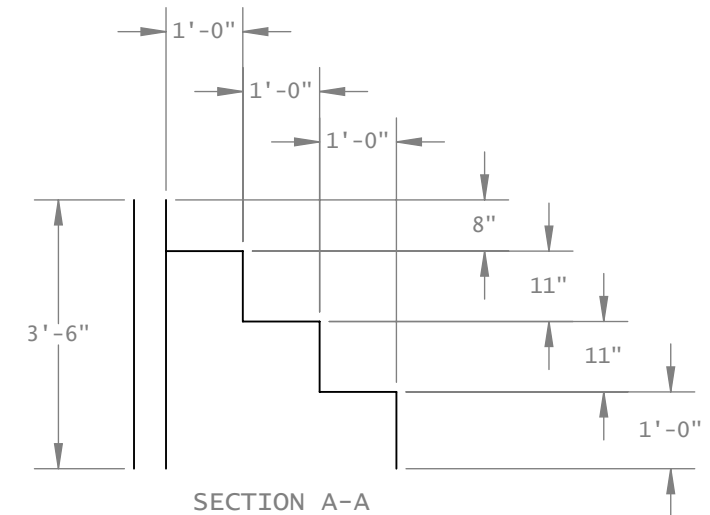
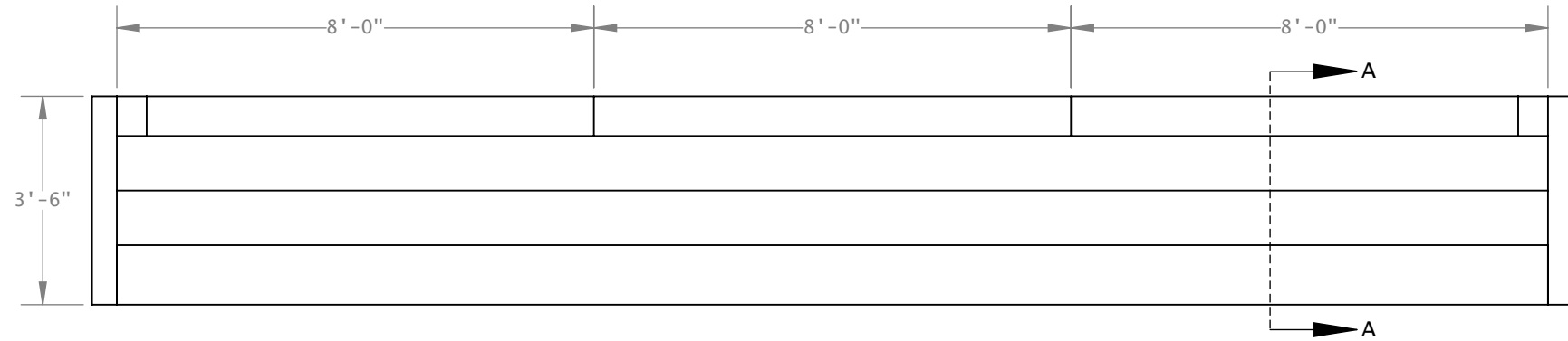
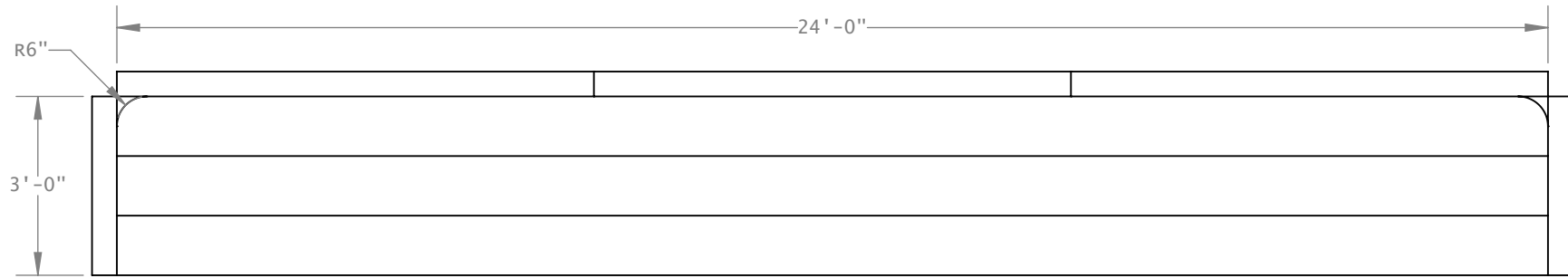
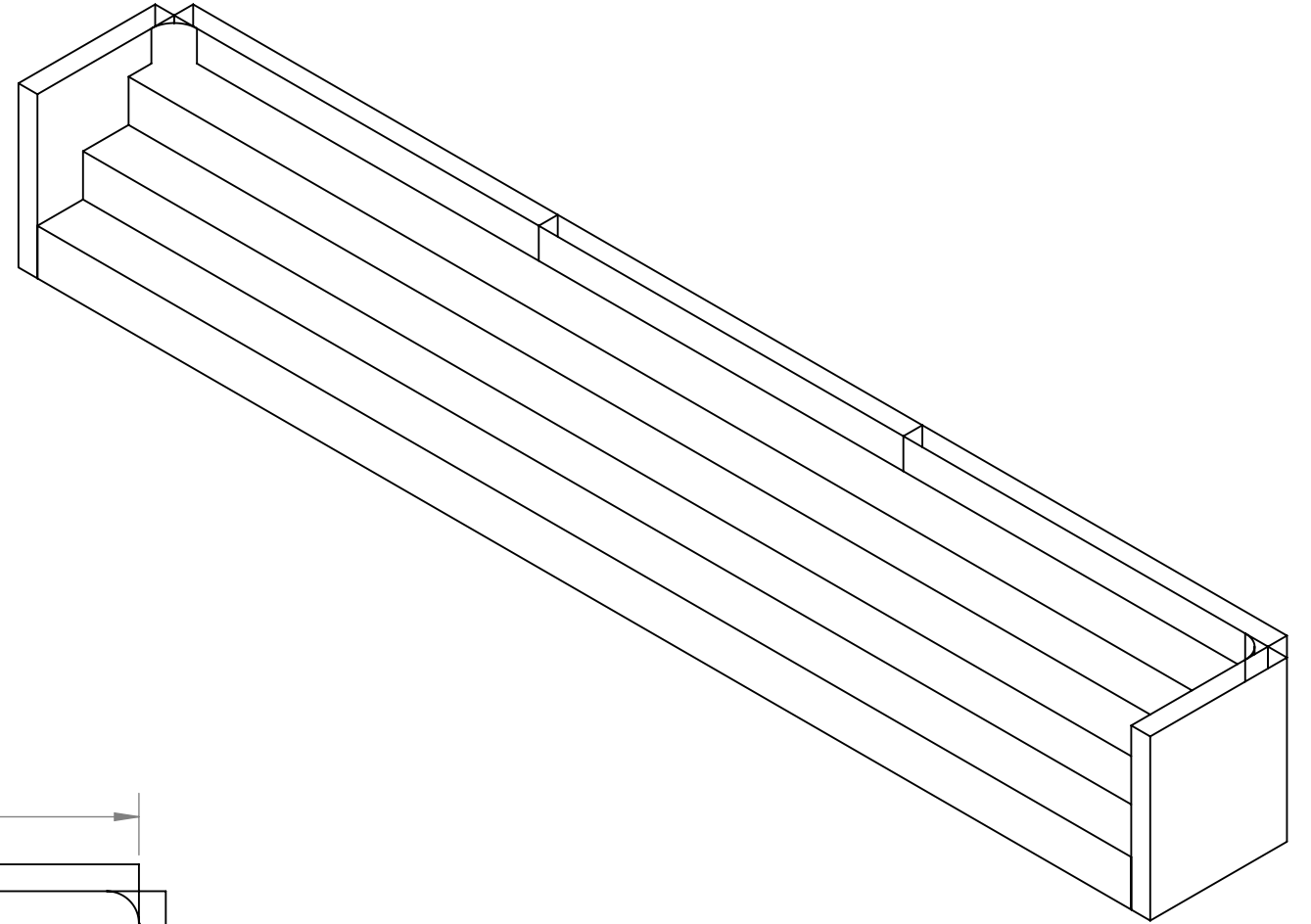
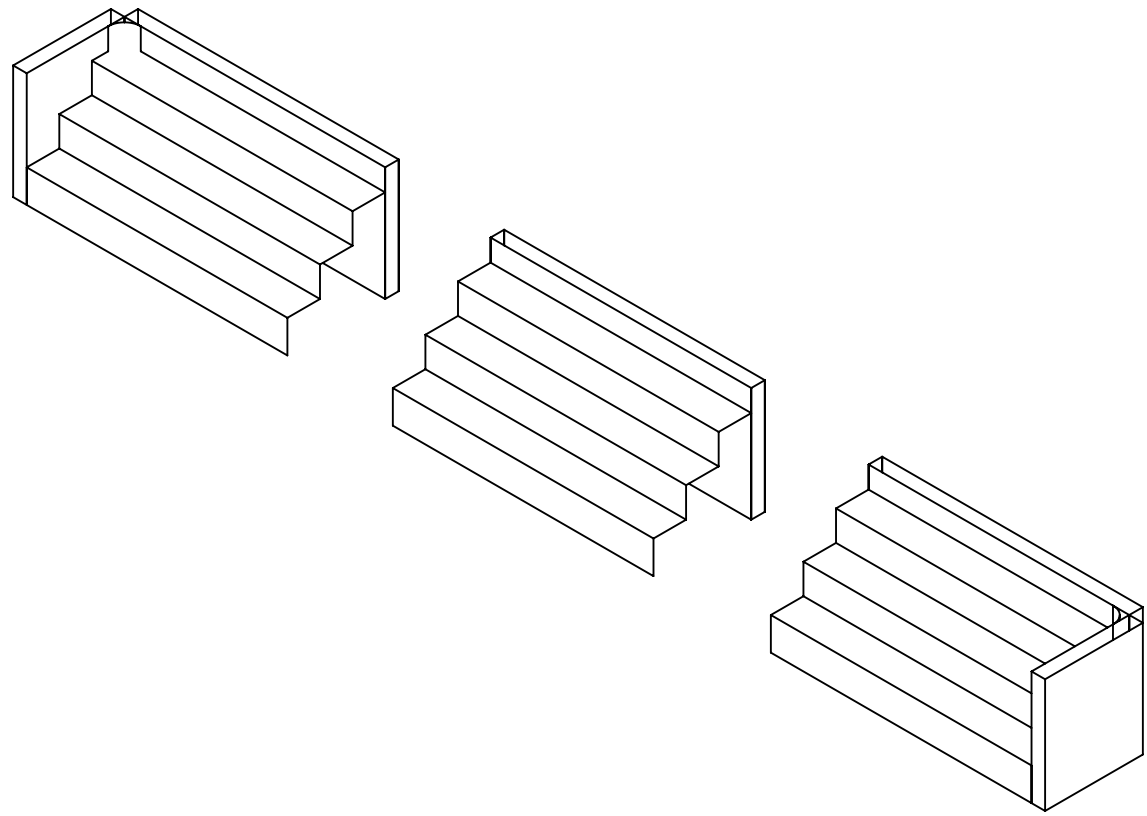
1

B

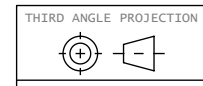
B

A

A



SECTION A-A  
SCALE 1 : 30



DIMENSIONAL UNITS  
FT-IN

SIZE	SCALE	SHEET
B	NTS	1 OF 1



DESCRIPTION  
**24' MALACH STEEL MODULAR STEPS 42" OPEN TOP**

PART NO.	REV.
0-S0-42H-24W	00

THIS INFORMATION CONTAINED IN THE DRAWING IS THE SOLE PROPERTY OF ROYAL SWIMMING POOLS. ANY REPRODUCTION IN PART OR WHOLE WITHOUT THE WRITTEN PERMISSION OF ROYAL SWIMMING POOLS IS PROHIBITED.

4

3

2

1