

4

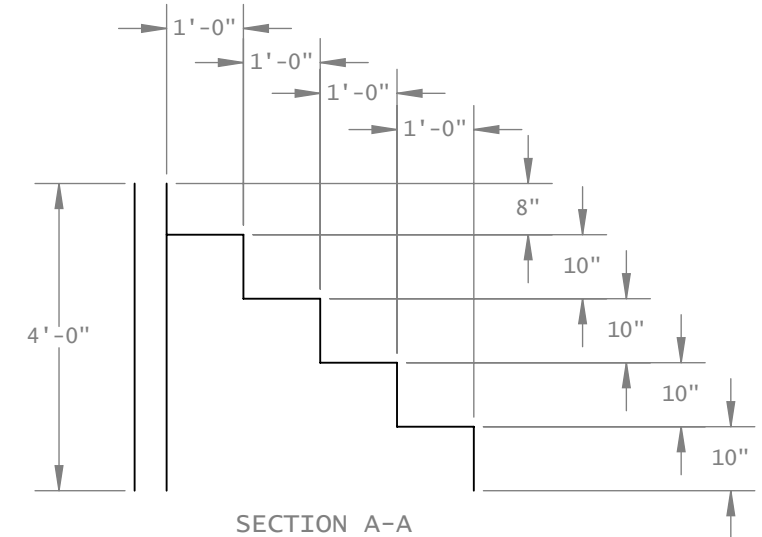
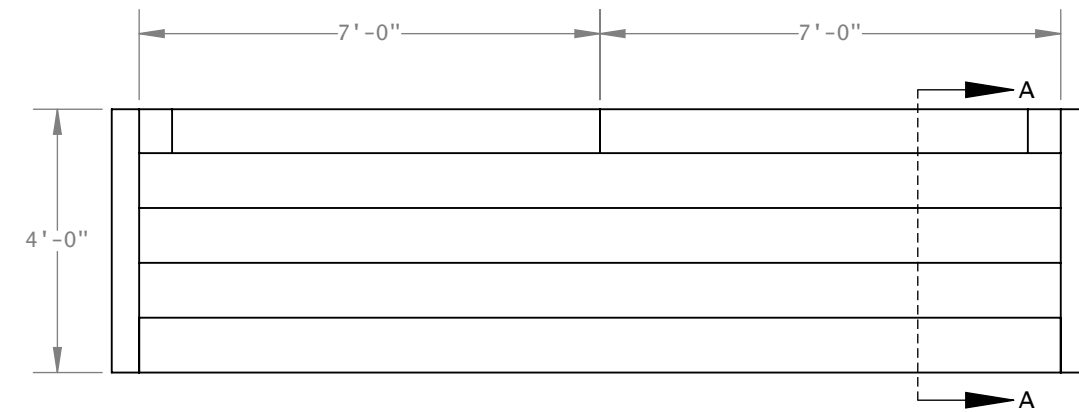
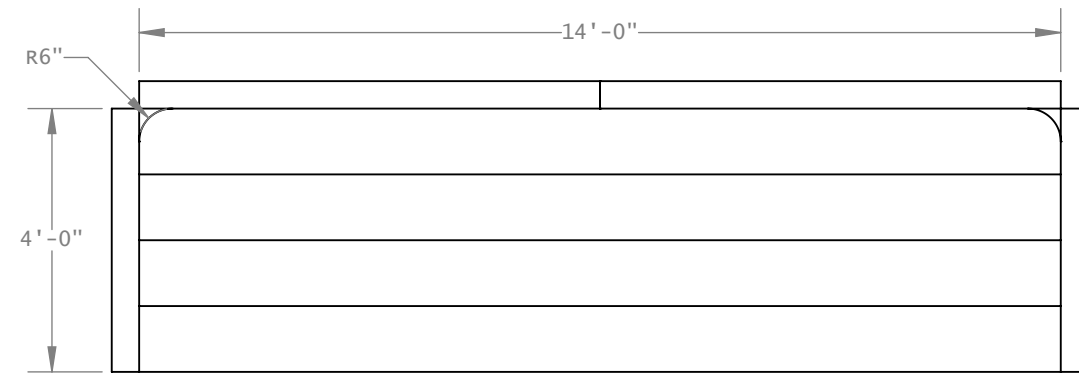
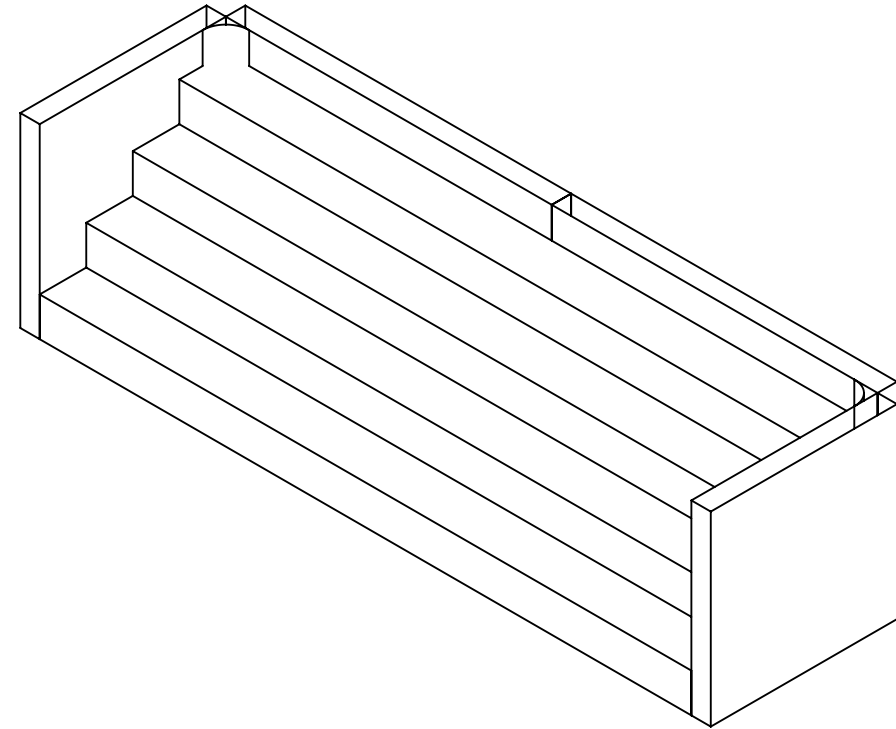
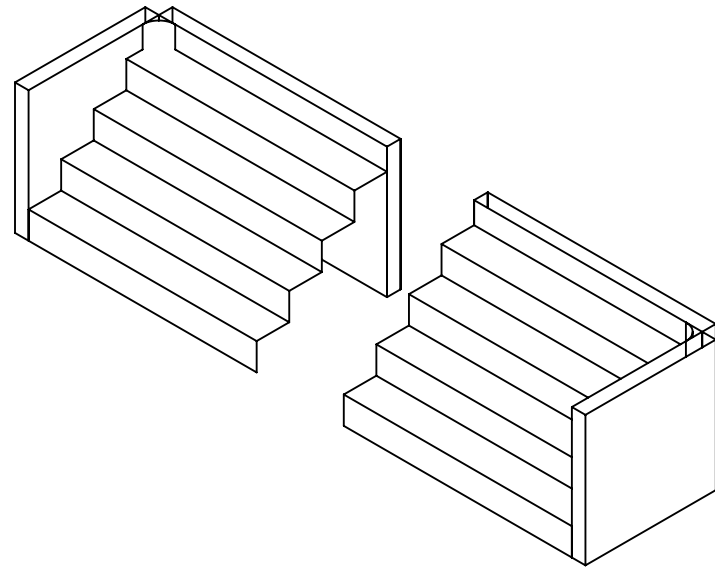
3

2

1

B

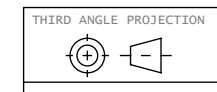
B



SECTION A-A  
SCALE 1 : 30

A

A



DIMENSIONAL UNITS  
FT-IN



THIS INFORMATION CONTAINED IN THE DRAWING IS THE SOLE PROPERTY OF ROYAL SWIMMING POOLS. ANY REPRODUCTION IN PART OR WHOLE WITHOUT THE WRITTEN PERMISSION OF ROYAL SWIMMING POOLS IS PROHIBITED.

DESCRIPTION  
**14' MALACH STEEL MODULAR STEPS 48" OPEN TOP**

SIZE B	SCALE NTS	SHEET 1 OF 1	PART NO. 0-S0-48H-14W	REV. 00
-----------	--------------	-----------------	--------------------------	------------

4

3

2

1