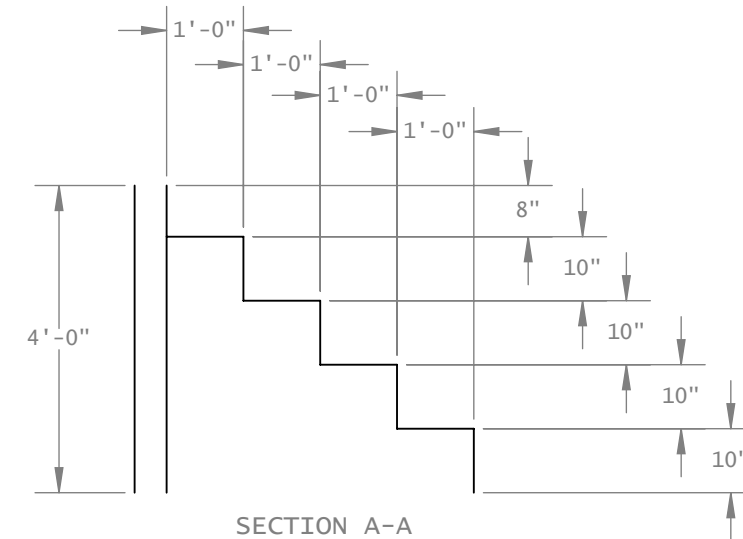
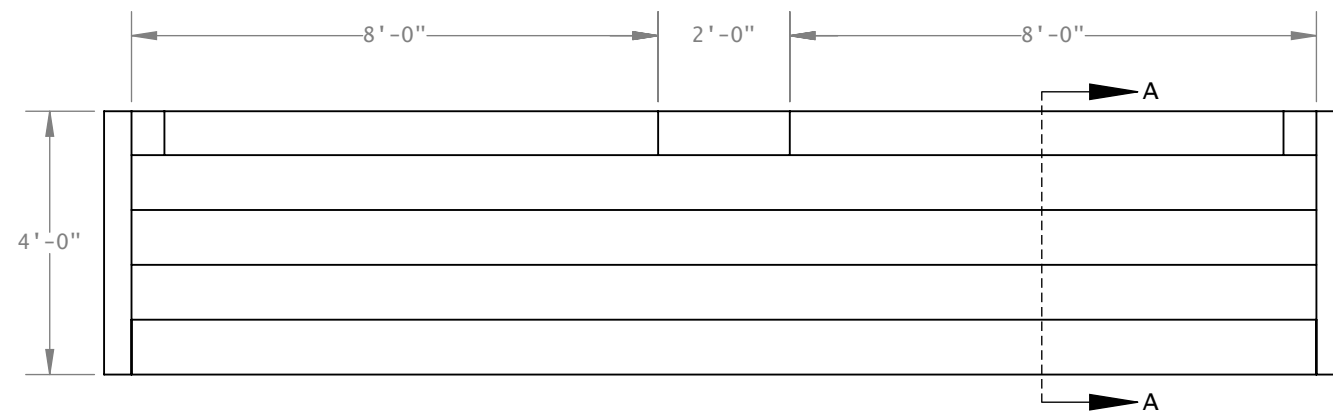
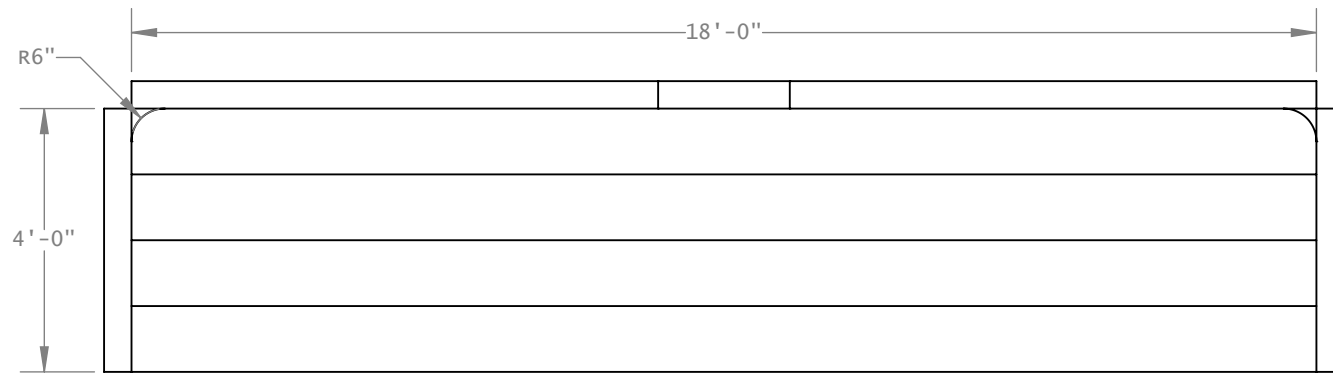
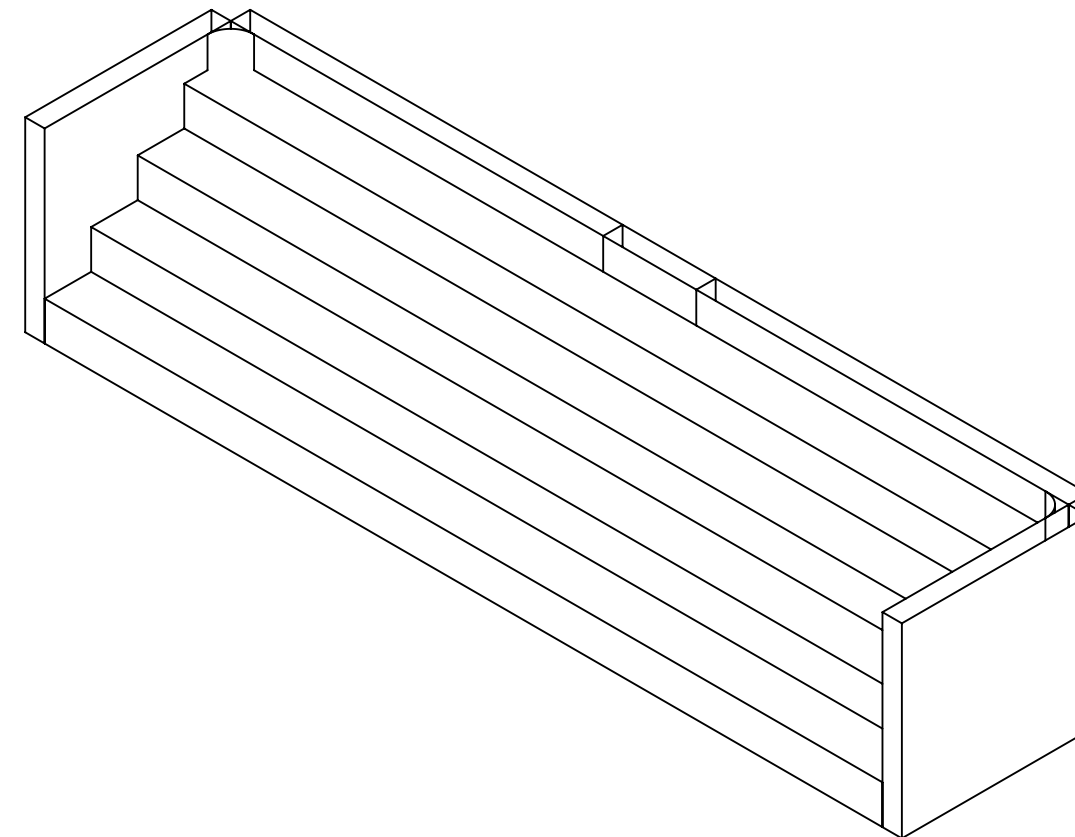
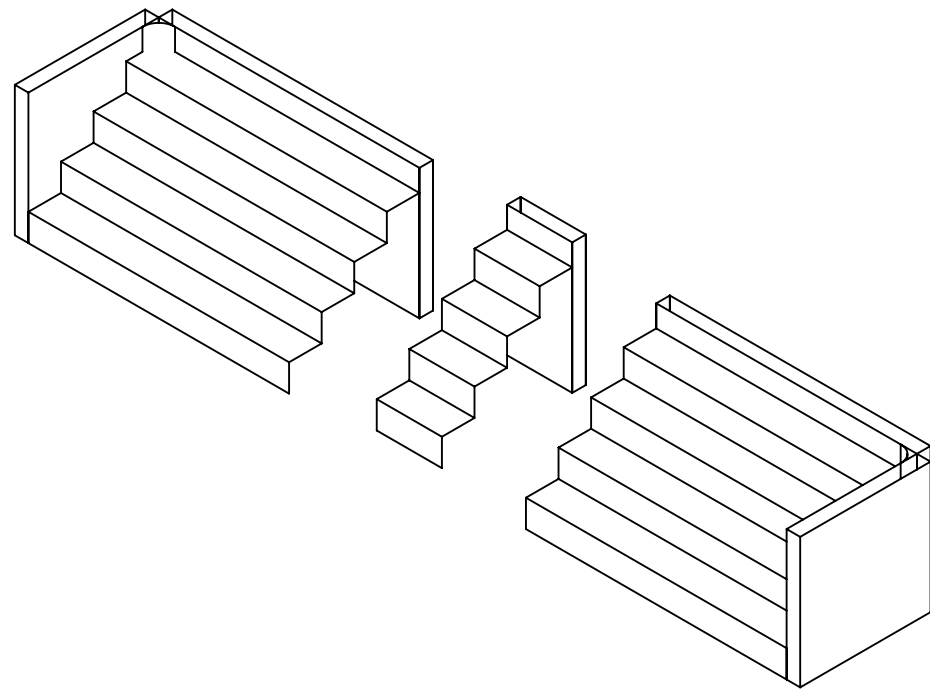


4

3

2

1



SECTION A-A
SCALE 1 : 30

THIRD ANGLE PROJECTION			
DIMENSIONAL UNITS			
FT-IN			
SIZE	SCALE	SHEET	PART NO.
B	NTS	1 OF 1	

	<small>THIS INFORMATION CONTAINED IN THE DRAWING IS THE SOLE PROPERTY OF ROYAL SWIMMING POOLS. ANY REPRODUCTION IN PART OR WHOLE WITHOUT THE WRITTEN PERMISSION OF ROYAL SWIMMING POOLS IS PROHIBITED.</small>	
	DESCRIPTION 18' MALACH STEEL MODULAR STEPS 48" OPEN TOP	
	<small>REV.</small> 00	

4

3

2

1