

4

3

2

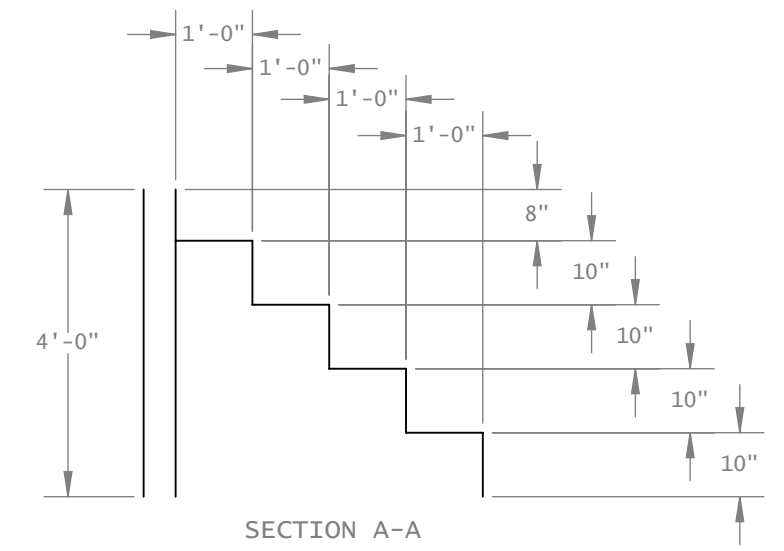
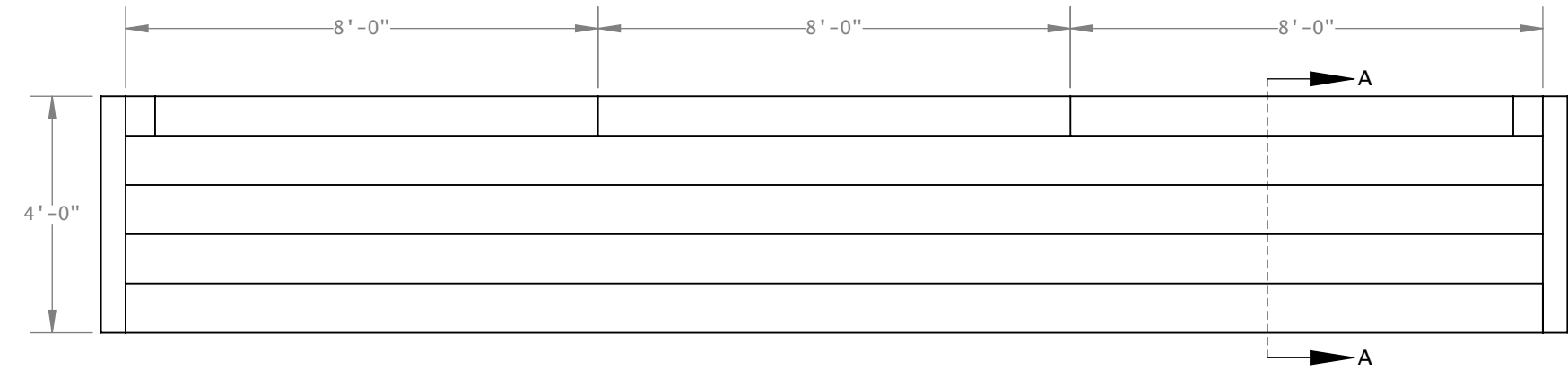
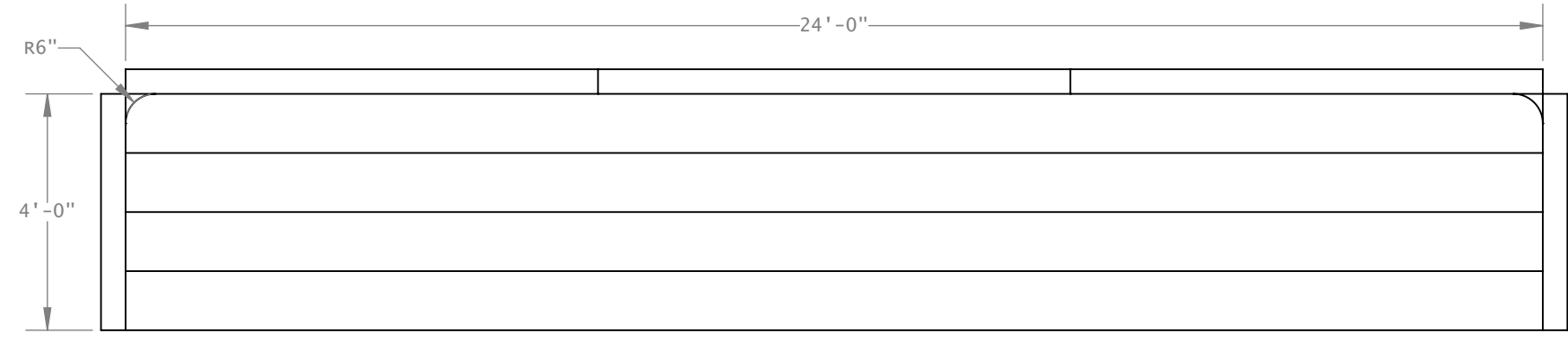
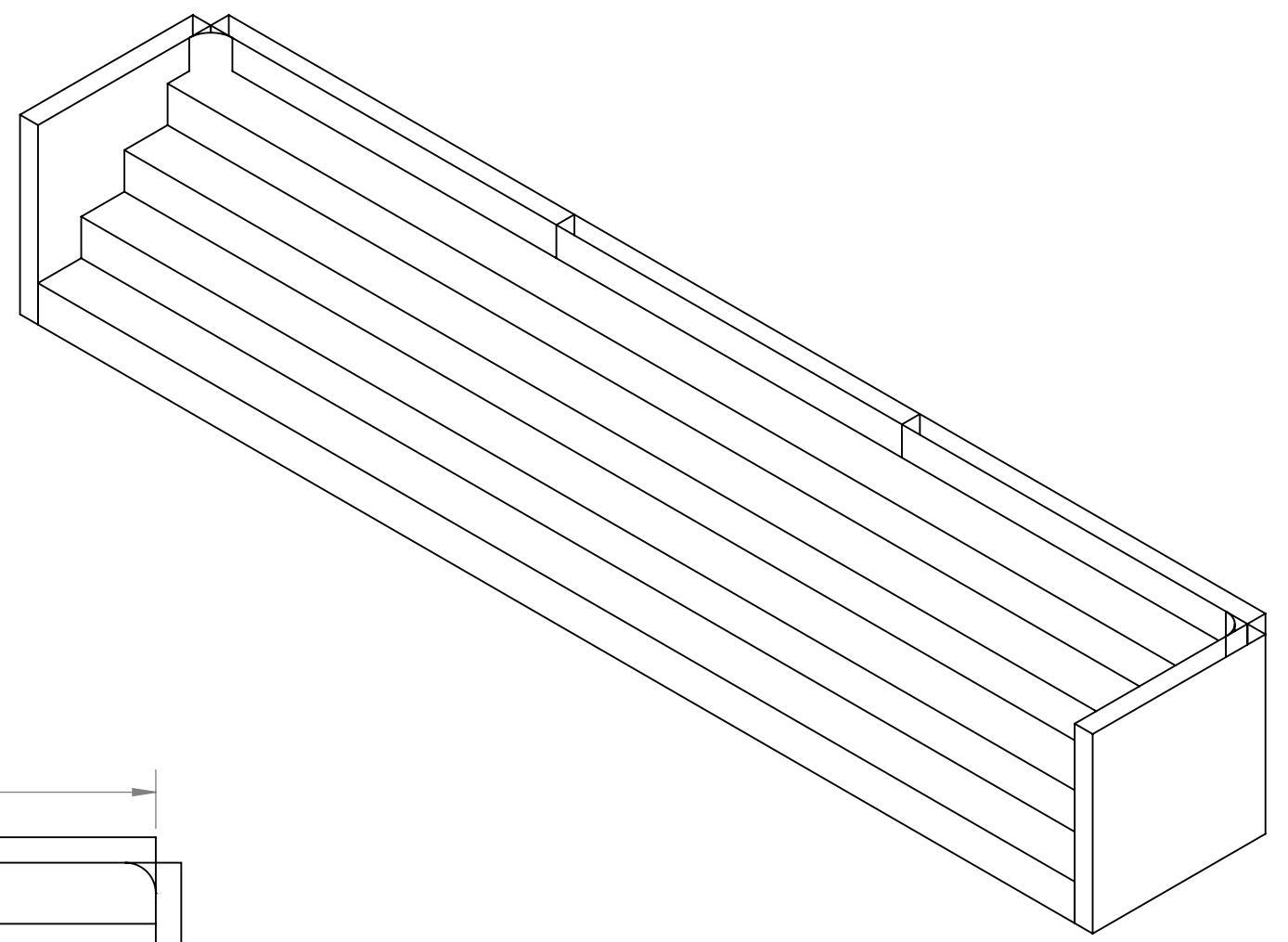
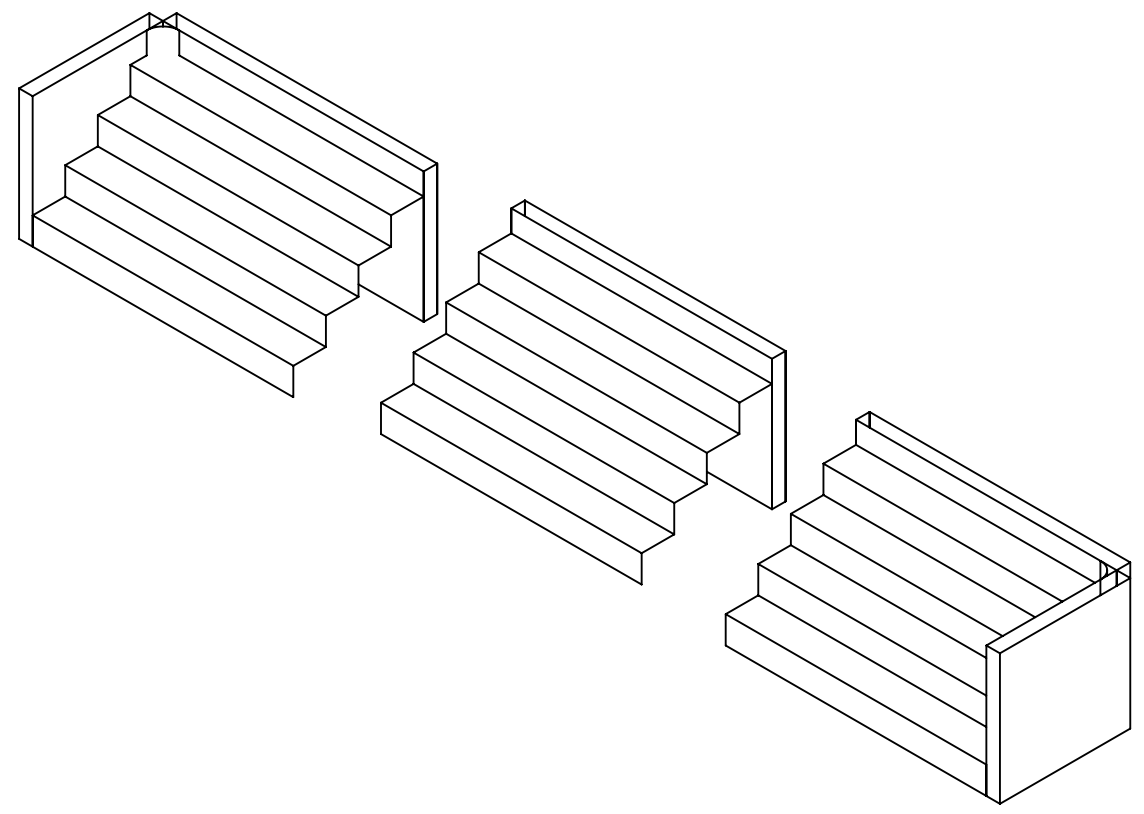
1

B

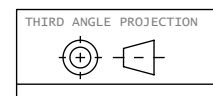
B

A

A



SECTION A-A
SCALE 1 : 30



DIMENSIONAL UNITS
FT-IN



THIS INFORMATION CONTAINED IN THE DRAWING IS THE SOLE PROPERTY OF ROYAL SWIMMING POOLS. ANY REPRODUCTION IN PART OR WHOLE WITHOUT THE WRITTEN PERMISSION OF ROYAL SWIMMING POOLS IS PROHIBITED.

DESCRIPTION
24' MALACH STEEL MODULAR STEPS 48" OPEN TOP

SIZE B	SCALE NTS	SHEET 1 OF 1	PART NO. 0-S0-48H-24W	REV. 00
-----------	--------------	-----------------	--------------------------	------------

4

3

2

1