

4

3

2

1

ITEM NO.	PART NUMBER	DESCRIPTION	QTY.
1	O-SO-42H-84W-S	OPEN TOP STAIR 84W SIDE	2
2	W-42H-36W	WALL	2
3	TSP-O-SO-42H-S-01	TREAD SUPPORT	2
4	ALU-1X1POOLCOPING	1X1 ALUMINUM COPING	5
5	PVC-POOLSNAP-025	LINER RETAINER CLIP	7

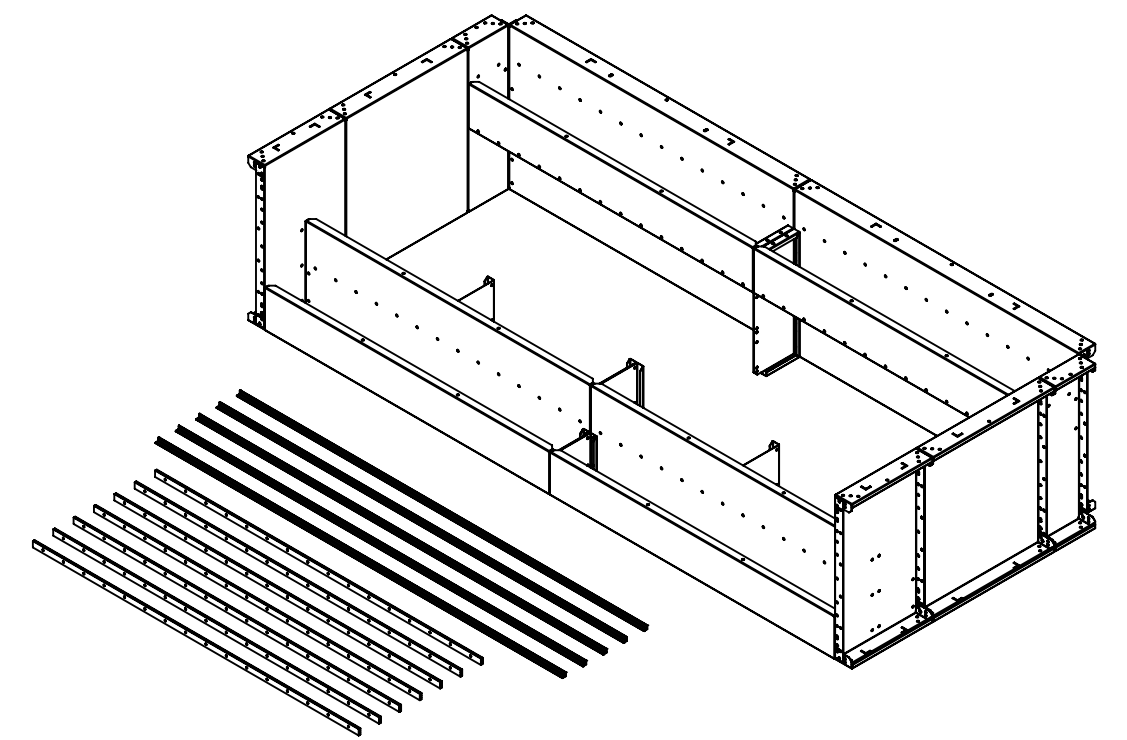
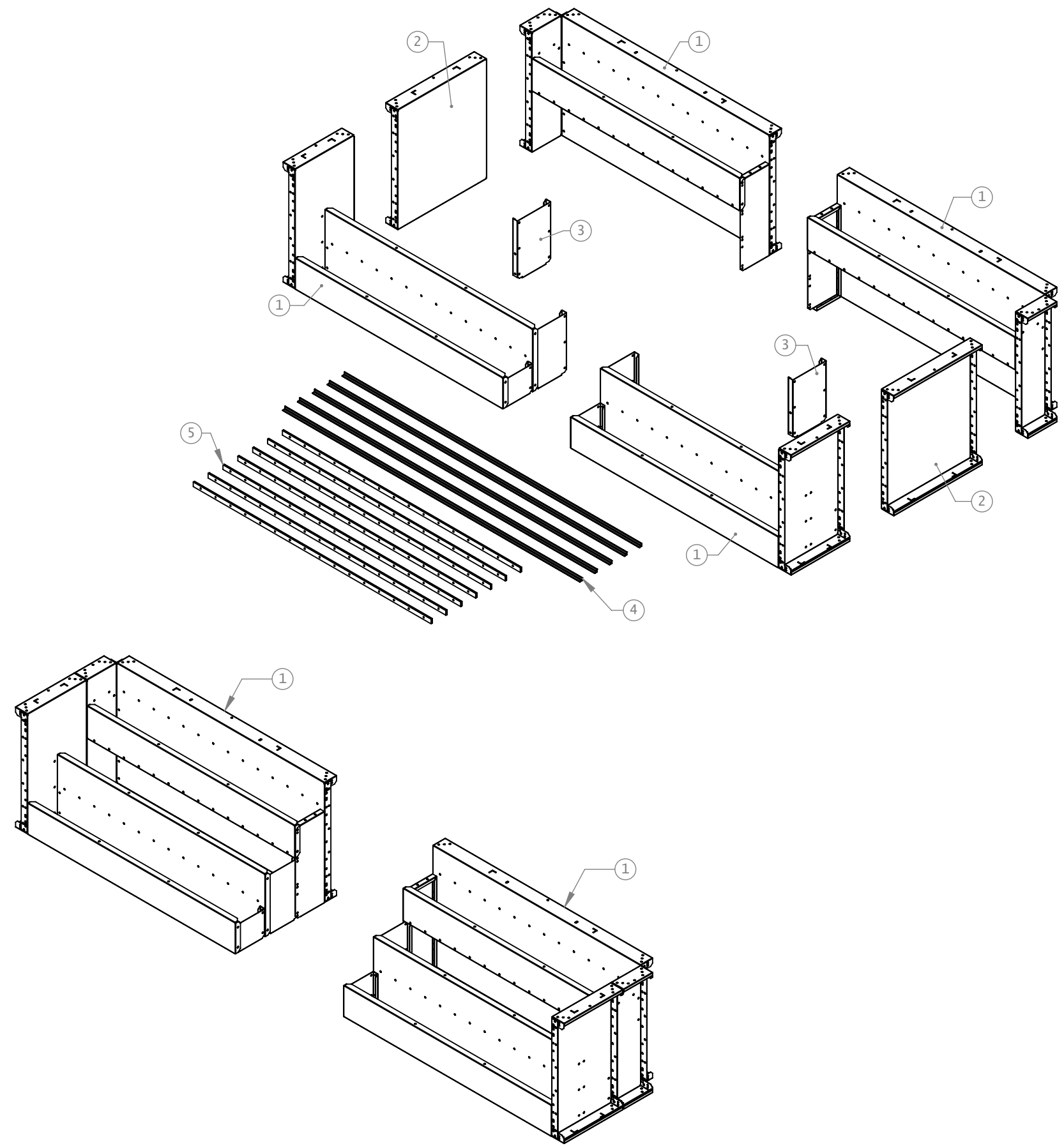
TO MAKE LEDGE ADD THESE PARTS
TO O-SO-42H-84W-S

B

B

A

A



NOTE: SHIP AS KIT

4

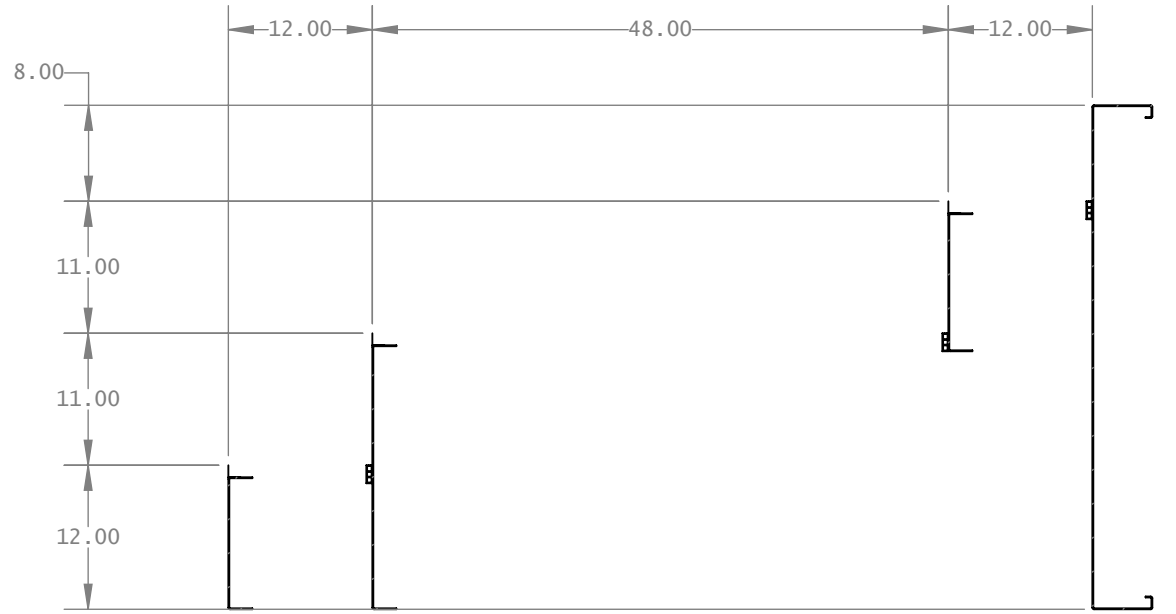
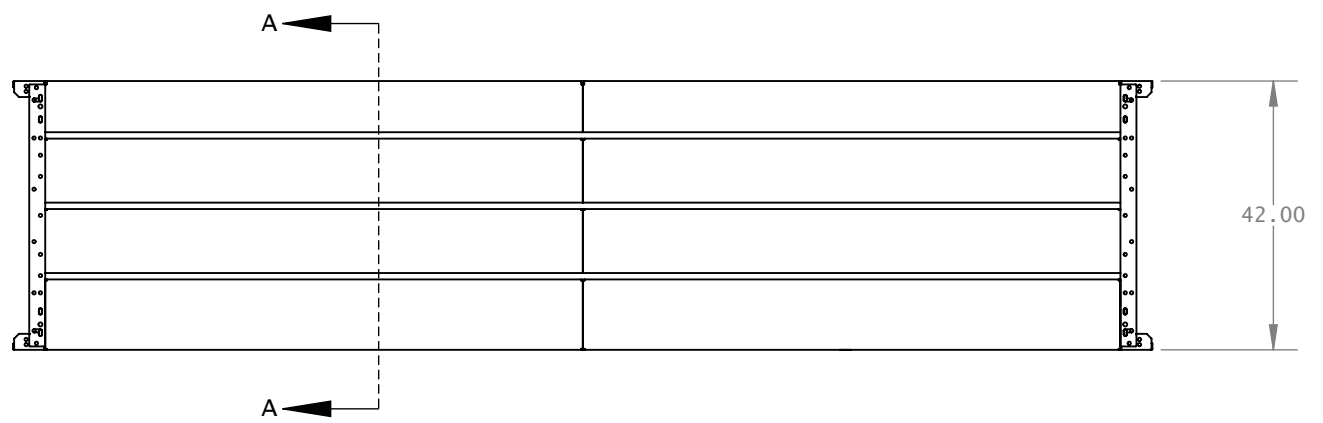
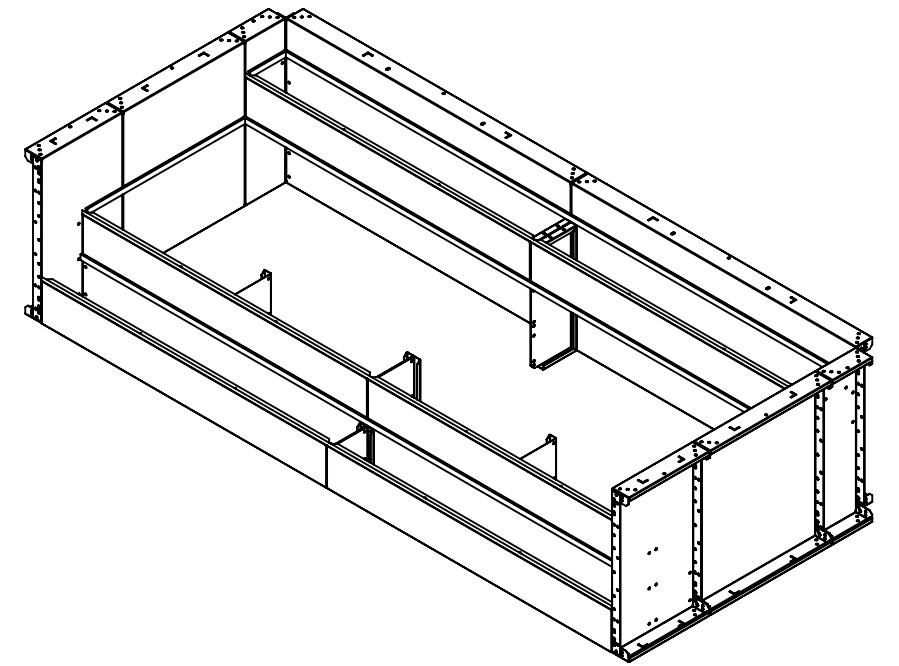
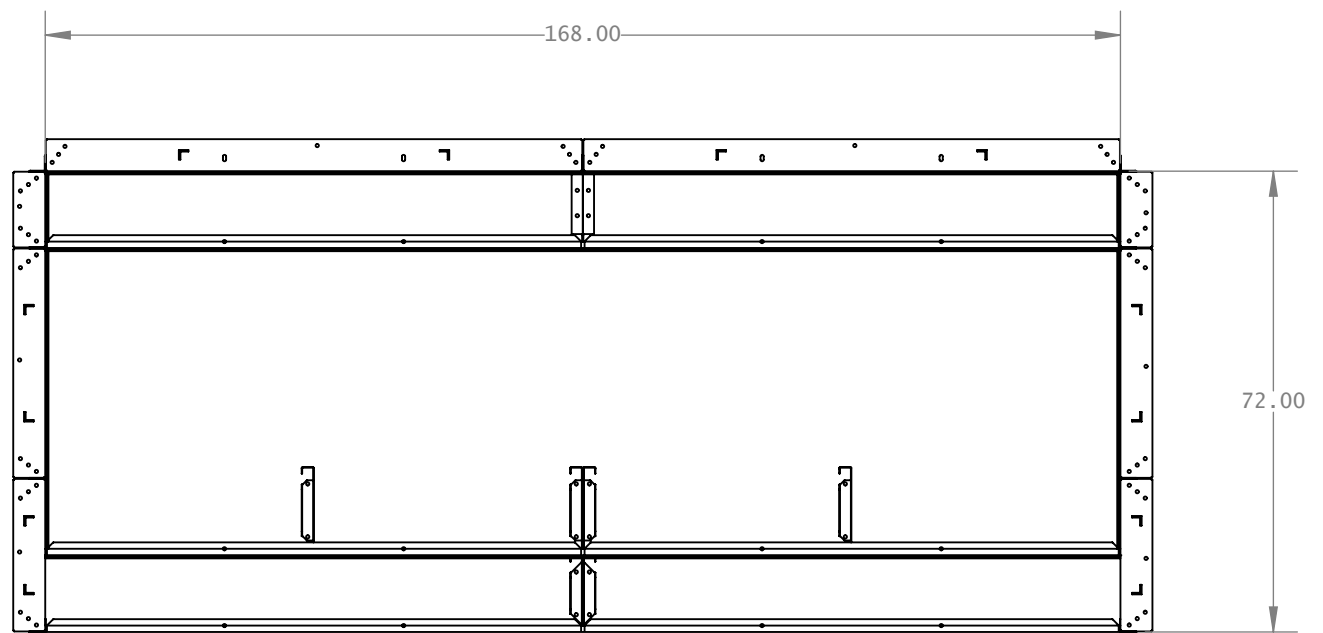
3

2

1

REV	INFORMATION	DATE	BY
00	INITIAL RELEASE	06/05/2024	MM

THIRD ANGLE PROJECTION		THIS INFORMATION CONTAINED IN THE DRAWING IS THE SOLE PROPERTY OF C.L. MALACH, ANY REPRODUCTION IN PART OR WHOLE WITHOUT THE WRITTEN PERMISSION OF C.L. MALACH IS PROHIBITED.	
DIMENSIONAL UNITS INCH (MM)			
TOLERANCES U.O.S. IMPERIAL METRIC .X ± .100 X ± 2.50 .XX ± .030 X.X ± 0.80 .XXX ± .015 X.XX ± 0.40 FEATURES OF SIZE X.XXX X.XX +.005/- .003 +.13/- .08 ANGLES ± 1.0°	DESCRIPTION	REV.	
	OPEN TOP STAIR WITH 48W SUNLEDGE 168W	00	
SIZE	SCALE	SHEET	PART NO.
B	1:30	1 OF 1	O-SUN48-42H-168W



SECTION A-A
SCALE 1 : 16

NOTE: SHIP AS KIT

REV	INFORMATION	DATE	BY
00	INITIAL RELEASE	06/05/2024	MM

				<small>THIS INFORMATION CONTAINED IN THE DRAWING IS THE SOLE PROPERTY OF C.L. MALACH, ANY REPRODUCTION IN PART OR WHOLE WITHOUT THE WRITTEN PERMISSION OF C.L. MALACH IS PROHIBITED.</small>	
<small>DIMENSIONAL UNITS INCH (MM)</small>		<small>DESCRIPTION</small>		<small>OPEN TOP STAIR WITH 48W SUNLEDGE 168W</small>	
<small>TOLERANCES U.O.S.</small> <small>IMPERIAL METRIC</small> <small>.X ± .100 X ± 2.50</small> <small>.XX ± .030 X.X ± 0.80</small> <small>.XXX ± .015 X.XX ± 0.40</small> <small>FEATURES OF SIZE</small> <small>X.XXX X.XX</small> <small>+.005/- .003 +.13/- .08</small> <small>ANGLES ± 1.0°</small>		<small>SIZE</small> B	<small>SCALE</small> 1:30	<small>SHEET</small> 2 OF 1	<small>PART NO.</small> O-SUN48-42H-168W
		<small>REV.</small> 00			