

4

3

2

1

TO MAKE LEDGE ADD THESE PARTS TO O-SO-42H-96W-S

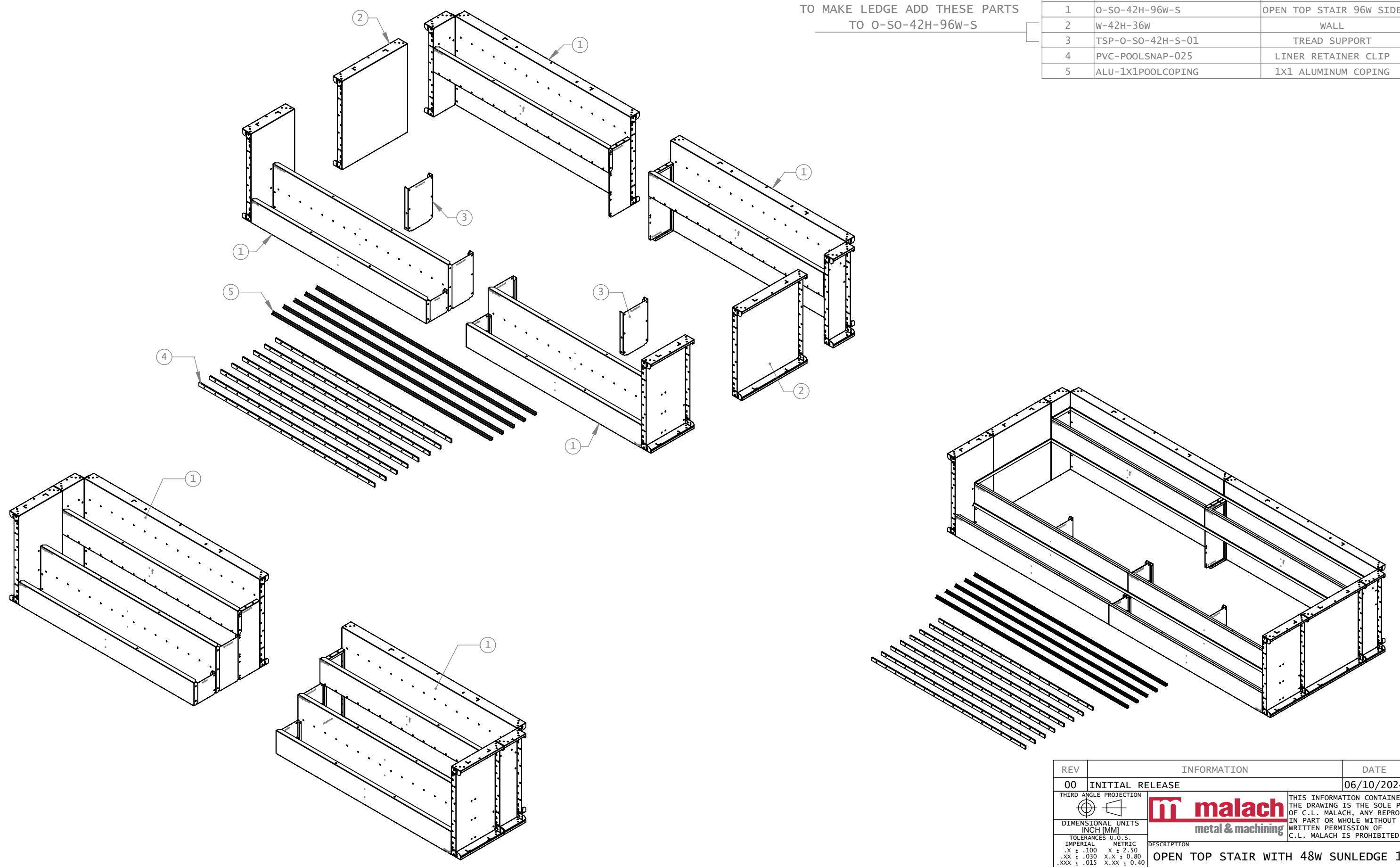
ITEM NO.	PART NUMBER	DESCRIPTION	QTY.
1	O-SO-42H-96W-S	OPEN TOP STAIR 96W SIDE	2
2	W-42H-36W	WALL	2
3	TSP-O-SO-42H-S-01	TREAD SUPPORT	2
4	PVC-POOLSNAPE-025	LINER RETAINER CLIP	8
5	ALU-1X1POOLCOPING	1X1 ALUMINUM COPING	5

B

B

A

A



NOTE: SHIP AS KIT

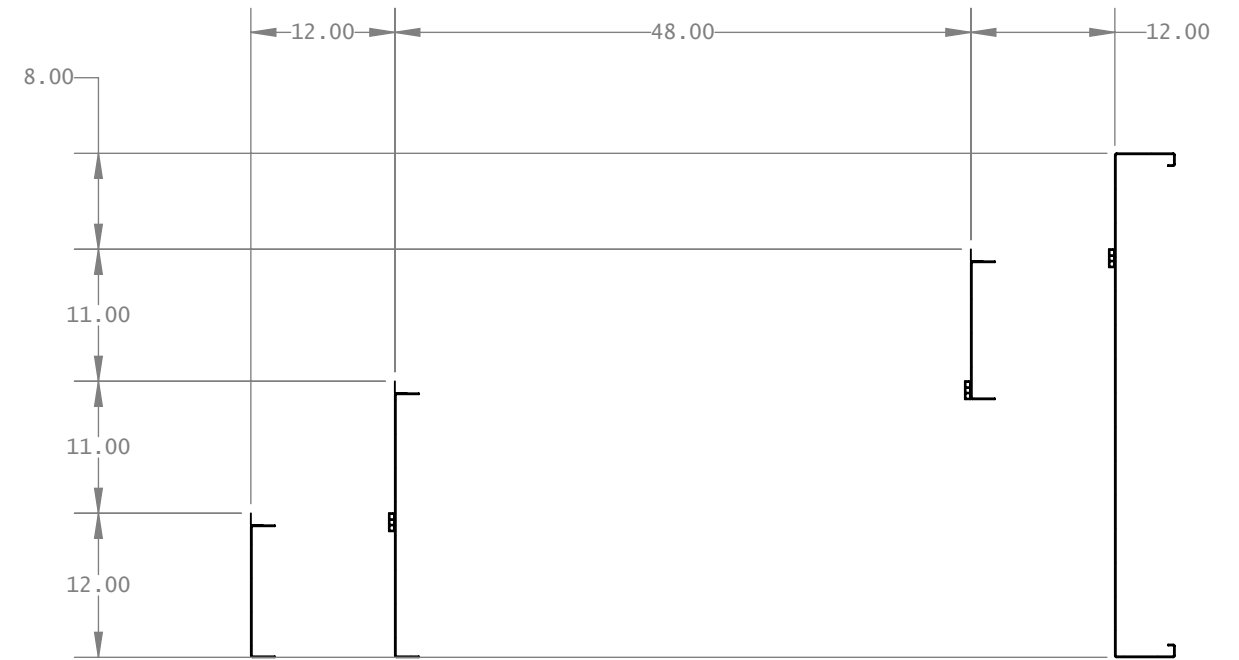
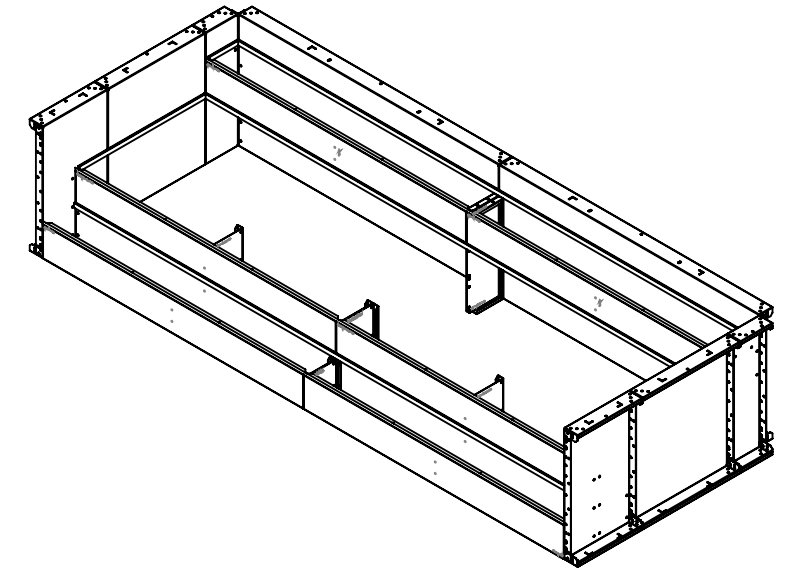
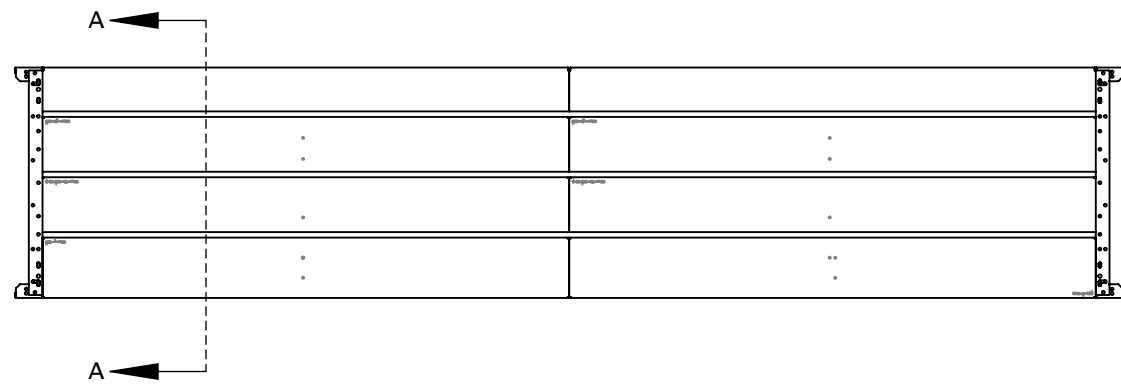
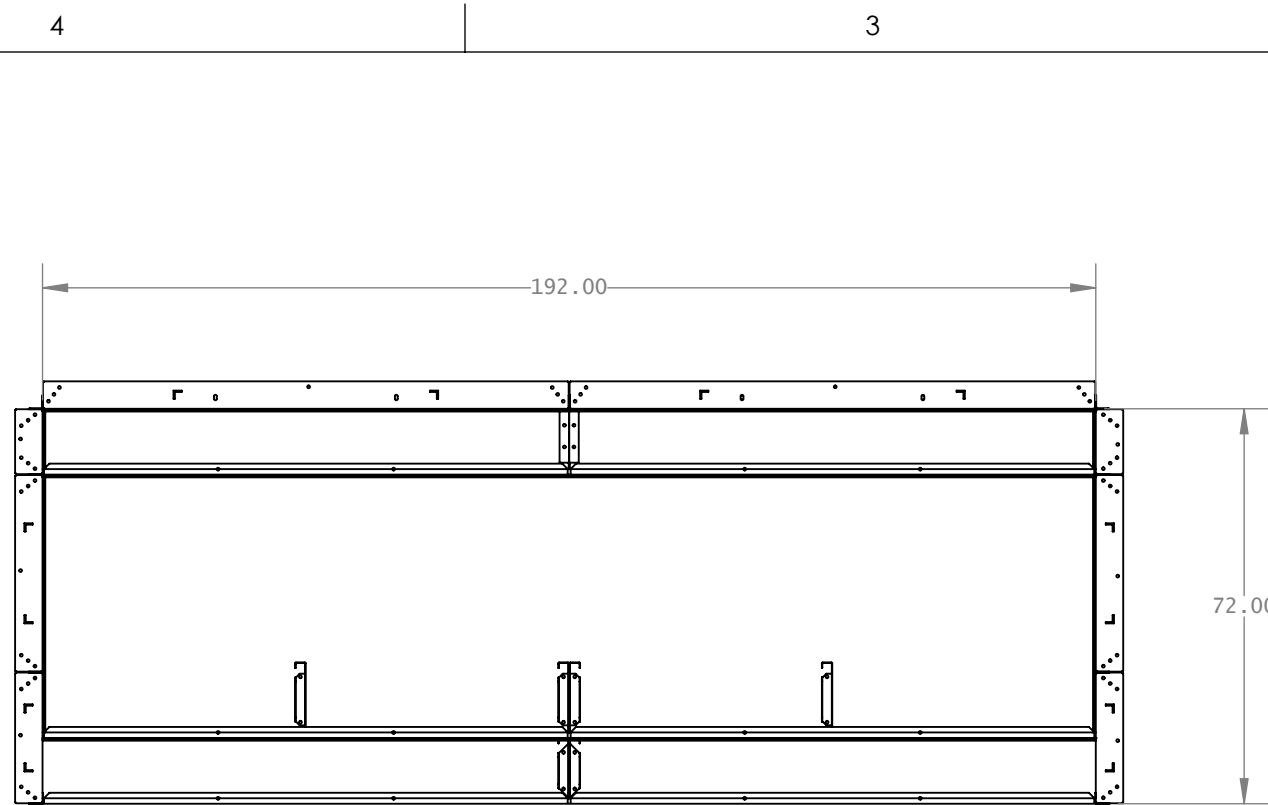
4

3

2

1

REV	INFORMATION	DATE	BY
00	INITIAL RELEASE	06/10/2024	MM
THIRD ANGLE PROJECTION		THIS INFORMATION CONTAINED IN THE DRAWING IS THE SOLE PROPERTY OF C.L. MALACH, ANY REPRODUCTION IN PART OR WHOLE WITHOUT THE WRITTEN PERMISSION OF C.L. MALACH IS PROHIBITED.	
DIMENSIONAL UNITS INCH (MM)		DESCRIPTION <b>OPEN TOP STAIR WITH 48W SUNLEDGE 192W</b>	
TOLERANCES U.O.S. IMPERIAL METRIC .X ± .100 X ± 2.50 .XX ± .030 X.X ± 0.80 .XXX ± .015 X.XX ± 0.40 FEATURES OF SIZE X.XXX X.XX +.005/- .003 +.13/- .08 ANGLES ± 1.0°		SIZE <b>B</b>	SCALE 1:35
		SHEET 1 OF 2	PART NO. <b>O-SUN48-42H-192W</b>
		REV. 00	



SECTION A-A  
SCALE 1 : 16

NOTE: SHIP AS KIT

REV	INFORMATION	DATE	BY
00	INITIAL RELEASE	06/10/2024	MM
THIRD ANGLE PROJECTION		<p>THIS INFORMATION CONTAINED IN THE DRAWING IS THE SOLE PROPERTY OF C.L. MALACH, ANY REPRODUCTION IN PART OR WHOLE WITHOUT THE WRITTEN PERMISSION OF C.L. MALACH IS PROHIBITED.</p>	
DIMENSIONAL UNITS INCH (MM)		DESCRIPTION <b>OPEN TOP STAIR WITH 48W SUNLEDGE 192W</b>	
TOLERANCES U.O.S. IMPERIAL METRIC .X ± .100 X ± 2.50 .XX ± .030 X.X ± 0.80 .XXX ± .015 X.XX ± 0.40 FEATURES OF SIZE X.XXX X.XX +.005/- .003 +.13/- .08 ANGLES ± 1.0°		SIZE <b>B</b>	SCALE 1:35
		SHEET 2 OF 2	PART NO. <b>O-SUN48-42H-192W</b>
		REV. 00	