

4

3

2

1

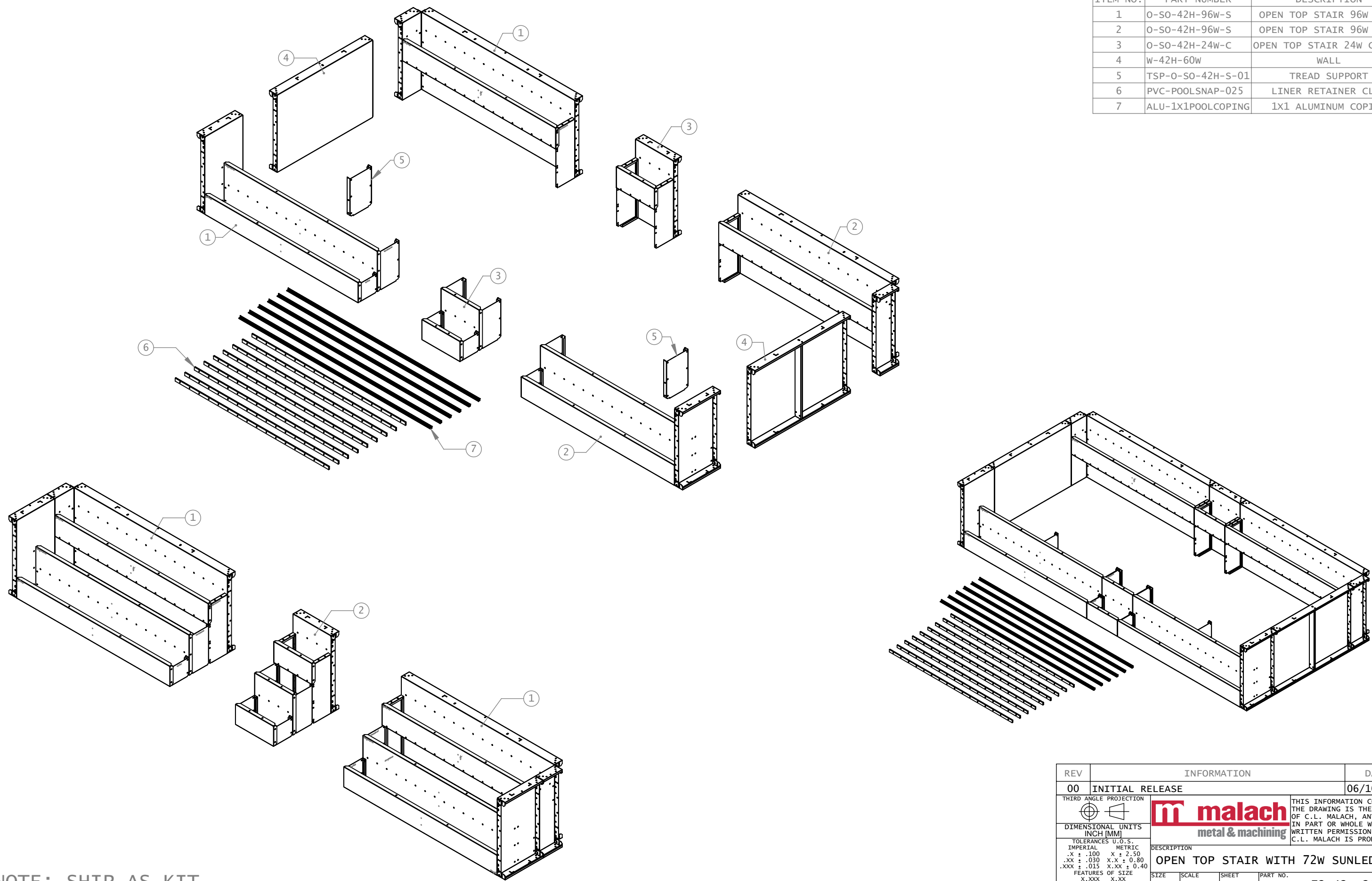
ITEM NO.	PART NUMBER	DESCRIPTION	QTY.
1	O-SO-42H-96W-S	OPEN TOP STAIR 96W SIDE	1
2	O-SO-42H-96W-S	OPEN TOP STAIR 96W SIDE	1
3	O-SO-42H-24W-C	OPEN TOP STAIR 24W CENTER	1
4	W-42H-60W	WALL	2
5	TSP-O-SO-42H-S-01	TREAD SUPPORT	2
6	PVC-POOLSNAP-025	LINER RETAINER CLIP	9
7	ALU-1X1POOLCOPING	1X1 ALUMINUM COPING	6

B

B

A

A



NOTE: SHIP AS KIT

4

3

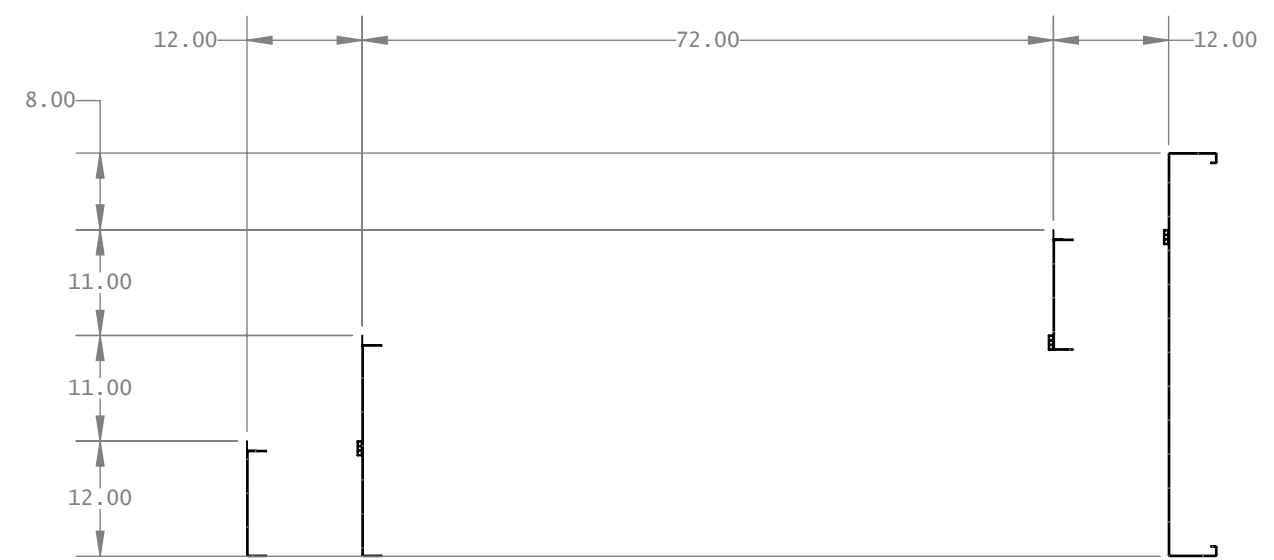
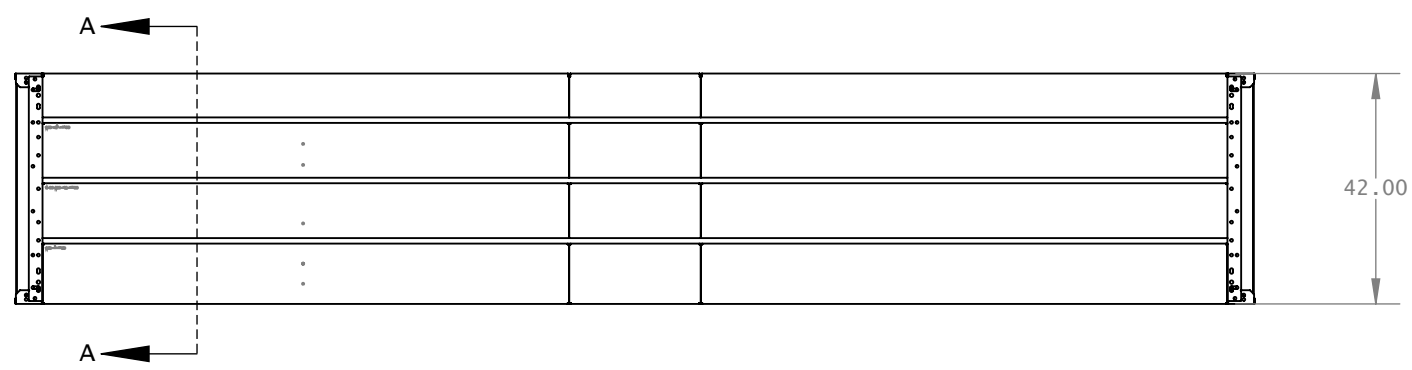
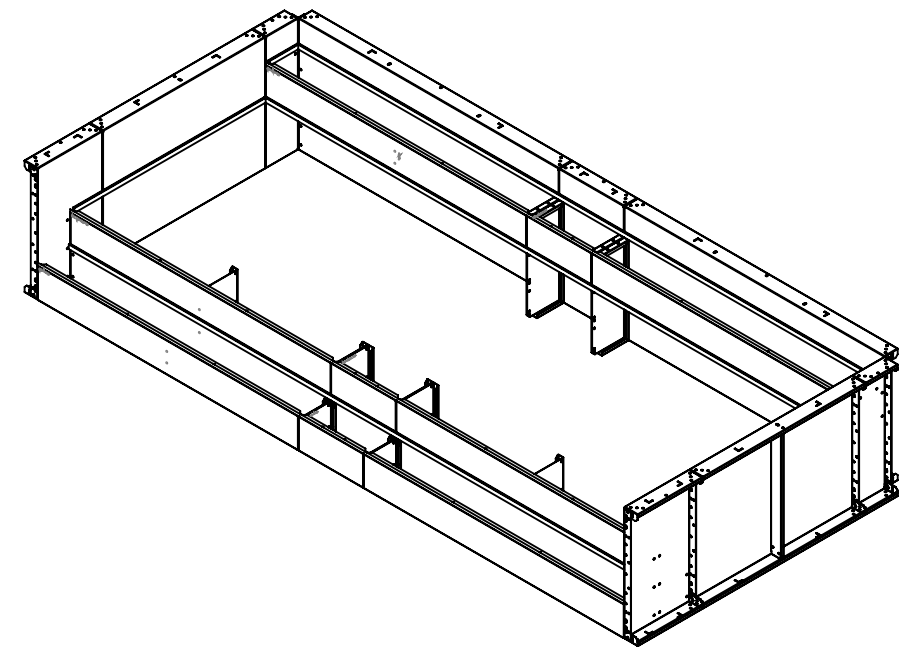
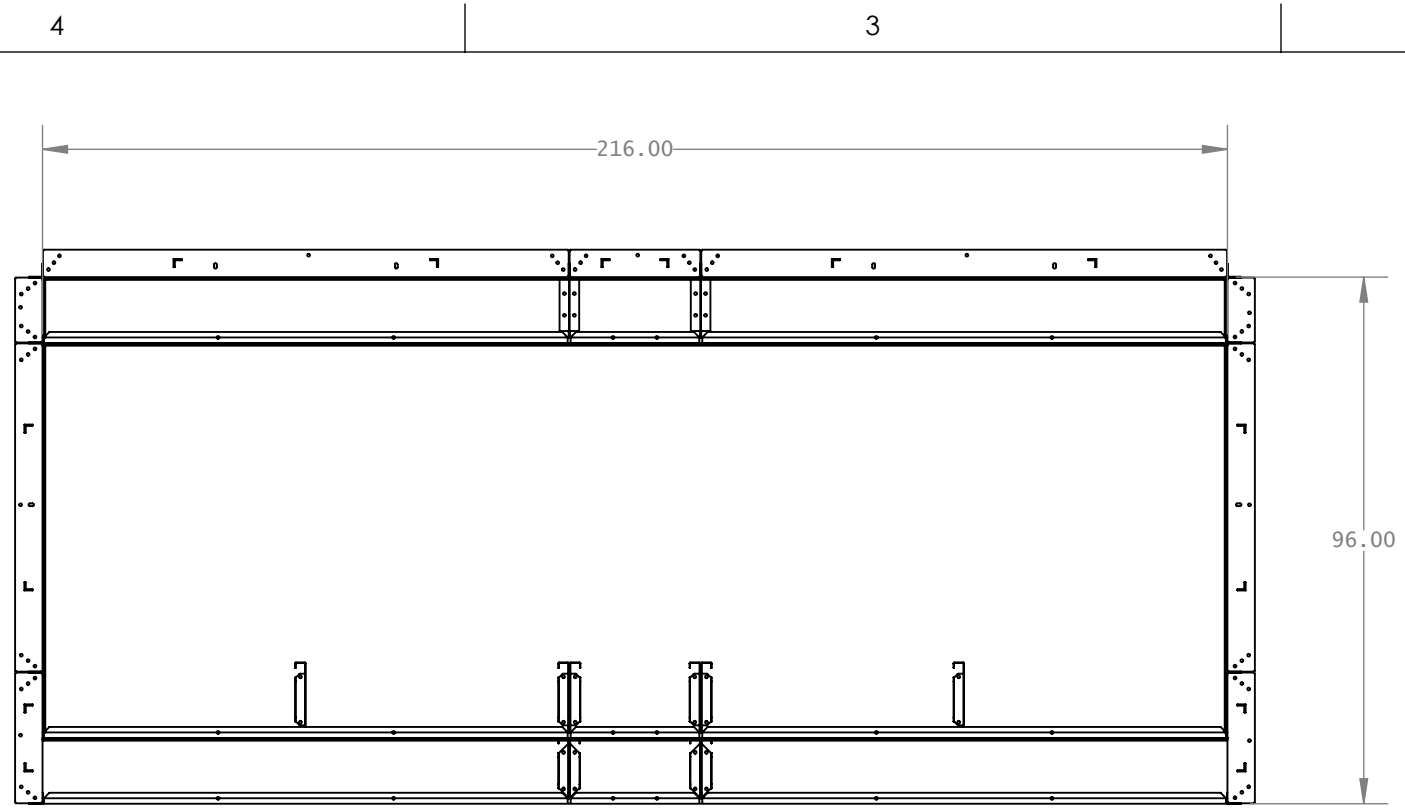
2

1

REV	INFORMATION	DATE	BY
00	INITIAL RELEASE	06/10/2024	MM

THIRD ANGLE PROJECTION		THIS INFORMATION CONTAINED IN THE DRAWING IS THE SOLE PROPERTY OF C.L. MALACH, ANY REPRODUCTION IN PART OR WHOLE WITHOUT THE WRITTEN PERMISSION OF C.L. MALACH IS PROHIBITED.	
DIMENSIONAL UNITS INCH (MM)			
TOLERANCES U.O.S. IMPERIAL METRIC .X ± .100 X ± 2.50 .XX ± .030 X.X ± 0.80 .XXX ± .015 X.XX ± 0.40 FEATURES OF SIZE X.XXX X.XX +.005/- .003 +.13/- .08 ANGLES ± 1.0°	DESCRIPTION	REV.	
	OPEN TOP STAIR WITH 72W SUNLEDGE 216W	00	
SIZE	SCALE	SHEET	PART NO.
B	1:35	1 OF 2	O-SUN72-42H-216W



NOTE: SHIP AS KIT

REV	SECTION INFORMATION			DATE	BY
00	INITIAL RELEASE	SCALE: 1:20		06/10/2024	MM
THIRD ANGLE PROJECTION		THIS INFORMATION CONTAINED IN THE DRAWING IS THE SOLE PROPERTY OF C.L. MALACH, ANY REPRODUCTION IN PART OR WHOLE WITHOUT THE WRITTEN PERMISSION OF C.L. MALACH IS PROHIBITED.			
DIMENSIONAL UNITS INCH (MM)		DESCRIPTION			
TOLERANCES U.O.S. IMPERIAL METRIC .X ± .100 X ± 2.50 .XX ± .030 X.X ± 0.80 .XXX ± .015 X.XX ± 0.40 FEATURES OF SIZE X.XXX X.XX +.005/- .003 +.13/- .08 ANGLES ± 1.0°		OPEN TOP STAIR WITH 72W SUNLEDGE 216W			
SIZE	SCALE	SHEET	PART NO.	REV.	
B	1:35	2 OF 2	O-SUN72-42H-216W	00	