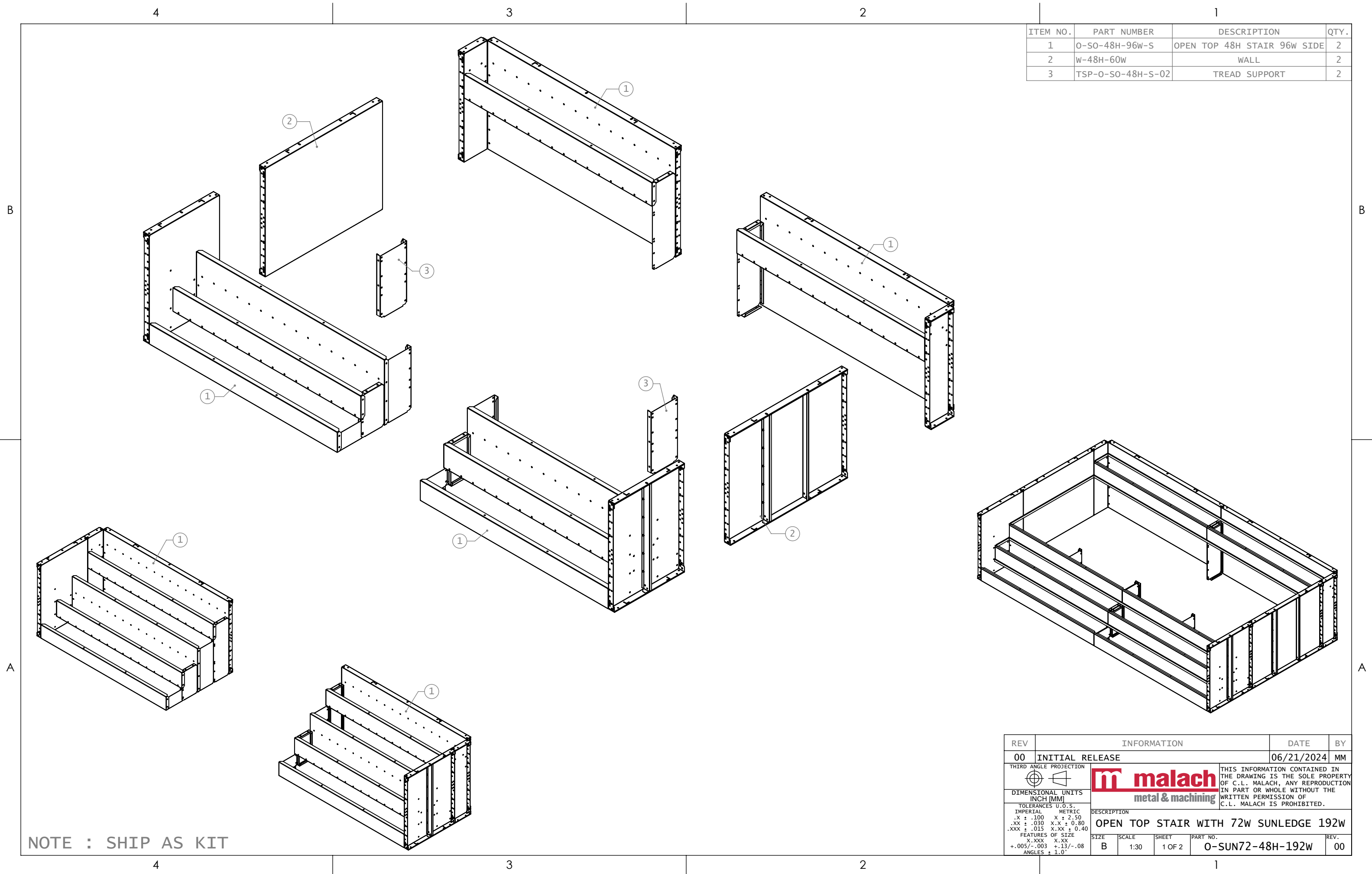


ITEM NO.	PART NUMBER	DESCRIPTION	QTY.
1	O-SO-48H-96W-S	OPEN TOP 48H STAIR 96W SIDE	2
2	W-48H-60W	WALL	2
3	TSP-O-SO-48H-S-02	TREAD SUPPORT	2



NOTE : SHIP AS KIT

REV	INFORMATION	DATE	BY
00	INITIAL RELEASE	06/21/2024	MM

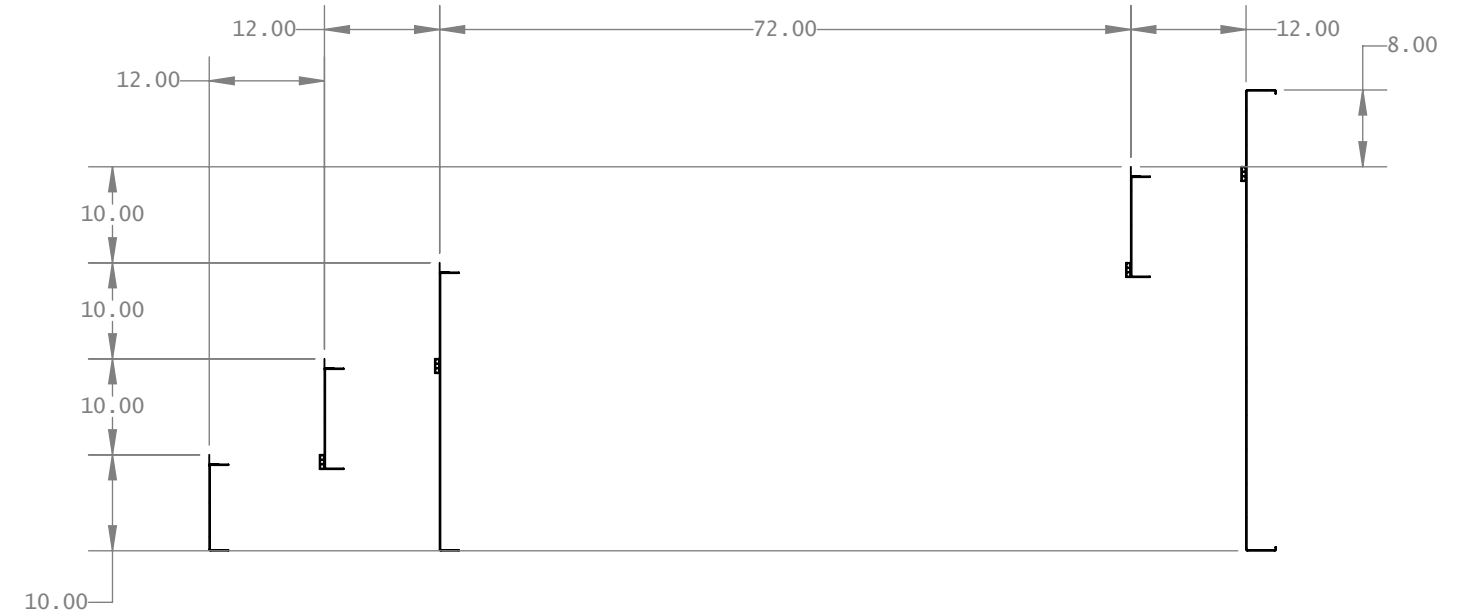
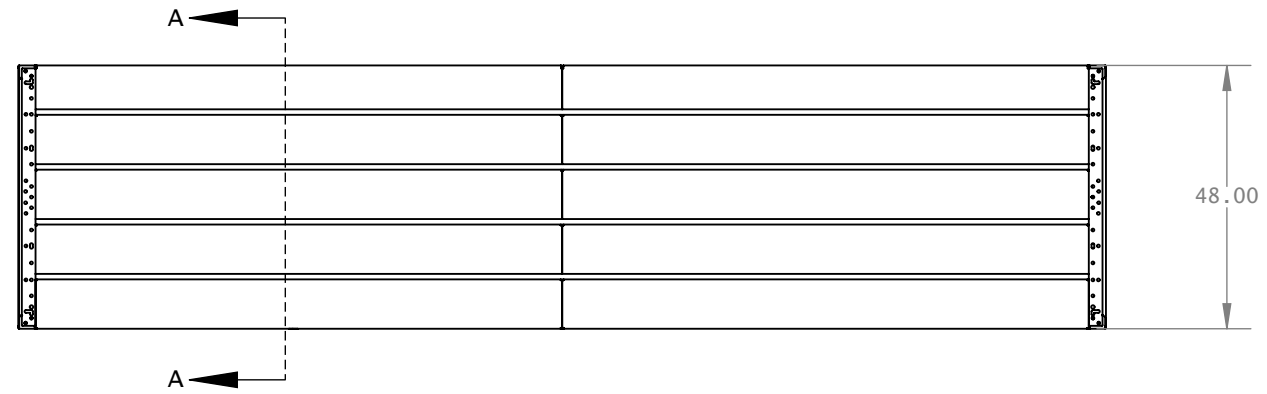
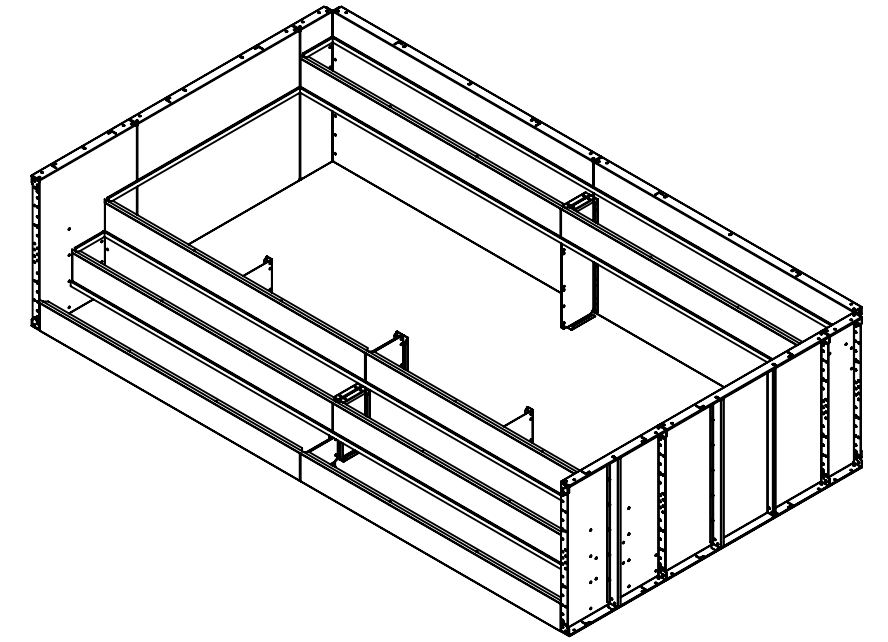
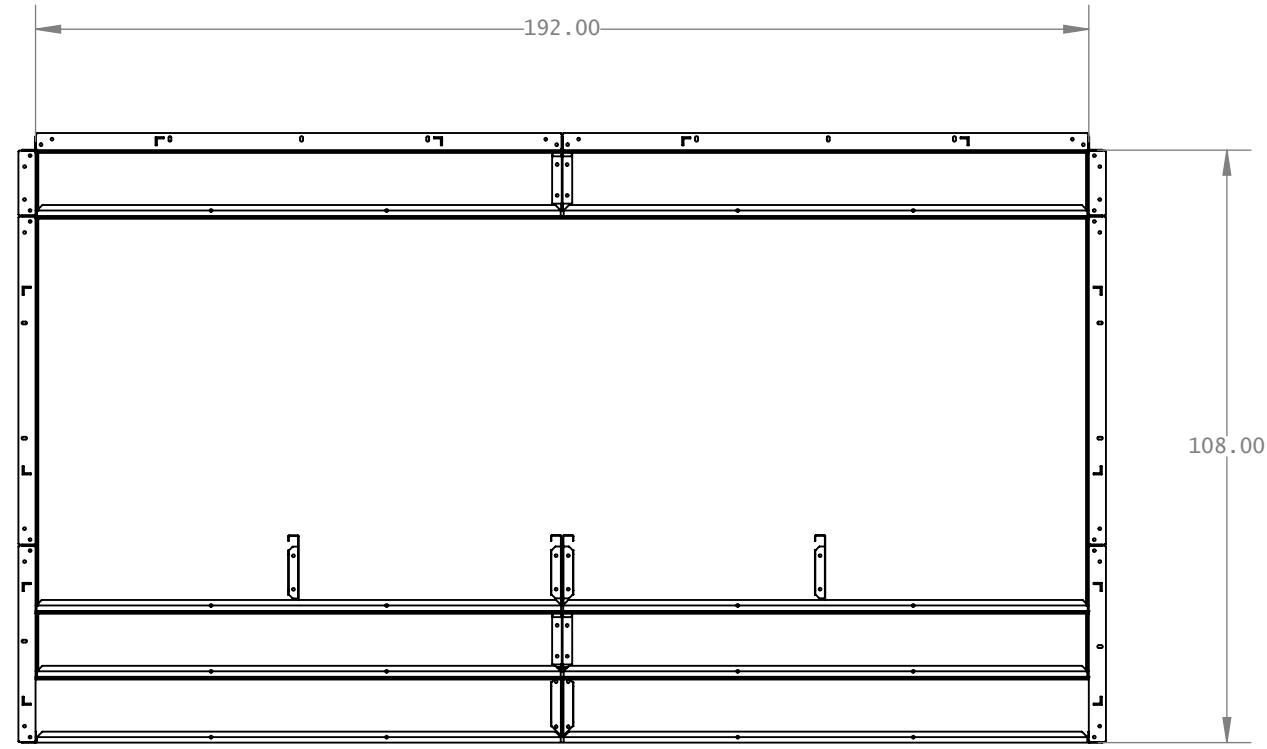
THIRD ANGLE PROJECTION		THIS INFORMATION CONTAINED IN THE DRAWING IS THE SOLE PROPERTY OF C.L. MALACH, ANY REPRODUCTION IN PART OR WHOLE WITHOUT THE WRITTEN PERMISSION OF C.L. MALACH IS PROHIBITED.	
DIMENSIONAL UNITS INCH (MM)			
TOLERANCES U.O.S. IMPERIAL METRIC .X ± .100 X ± 2.50 .XX ± .030 X.X ± 0.80 .XXX ± .015 X.XX ± 0.40	DESCRIPTION		
FEATURES OF SIZE X.XXX X.XX +.005/- .003 +.13/- .08 ANGLES ± 1.0°	OPEN TOP STAIR WITH 72W SUNLEDGE 192W		
SIZE	SCALE	SHEET	PART NO.
B	1:30	1 OF 2	O-SUN72-48H-192W
			REV.
			00

4

3

2

1



SECTION A-A  
SCALE 1 : 20

NOTE : SHIP AS KIT

REV	INFORMATION	DATE	BY
00	INITIAL RELEASE	06/21/2024	MM

THIRD ANGLE PROJECTION		<small>THIS INFORMATION CONTAINED IN THE DRAWING IS THE SOLE PROPERTY OF C.L. MALACH, ANY REPRODUCTION IN PART OR WHOLE WITHOUT THE WRITTEN PERMISSION OF C.L. MALACH IS PROHIBITED.</small>	
<small>DIMENSIONAL UNITS INCH (MM)</small> <small>TOLERANCES U.O.S. IMPERIAL METRIC</small> <small>.X ± .100 X ± 2.50</small> <small>.XX ± .030 X.X ± 0.80</small> <small>.XXX ± .015 X.XX ± 0.40</small> <small>FEATURES OF SIZE</small> <small>X.XXX X.XX</small> <small>+.005/- .003 +.13/- .08</small> <small>ANGLES ± 1.0°</small>			
DESCRIPTION			
OPEN TOP STAIR WITH 72W SUNLEDGE 192W			
SIZE	SCALE	SHEET	PART NO.
B	1:30	2 OF 2	O-SUN72-48H-192W
			REV.
			00

4

3

2

1