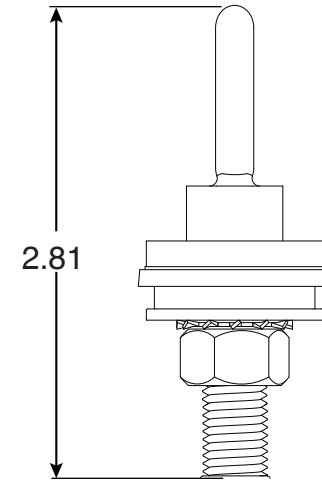
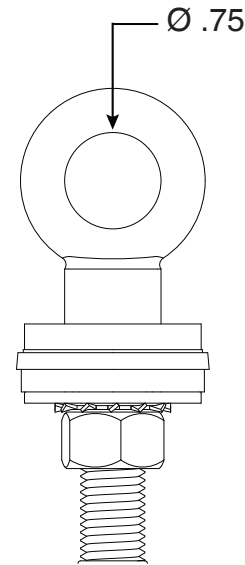
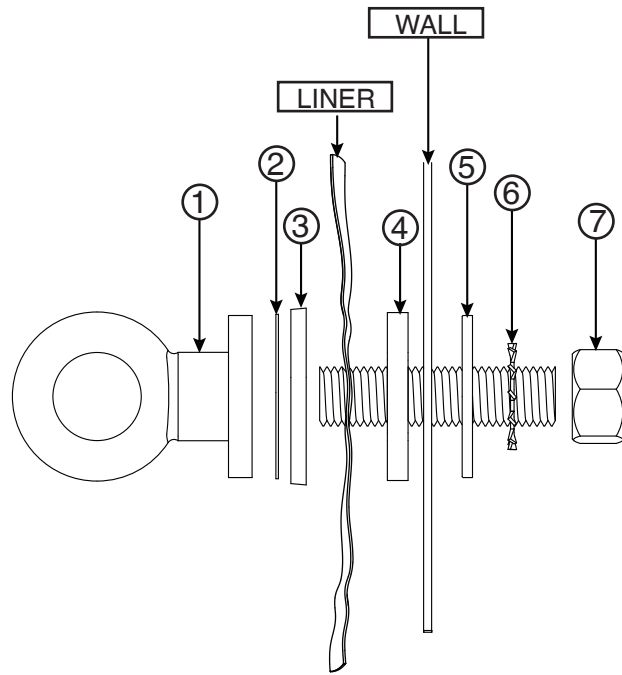
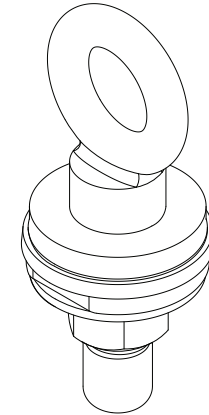
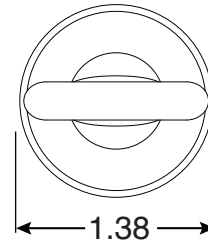




Vinyl Liner Rope Eye

Part No.
PI-72B

Parts List		
Part #	QTY	Description
1	1	PI-72B Rope Eye
4	1	PI-72B 1/2"-13 Stud
2	1	Nylon Washer
3	1	Rubber Gasket
5	1	1/2" SS Washer
6	1	1/2" SS Star Lock Washer
7	1	1/2" Stainless Steel Nut
8	1	1/2" Rubber Stud Cap



- Chrome Plated Bronze
- Wall Eye Anchor
- Drill Wall 1/2" Diameter

Use for Installing Eye
to prevent damaging
liner during installation

Page 1 of 1



Perma-Cast Co. Pueblo, CO
www.permacastonline.com
Call 800-748-2770