

4

3

2

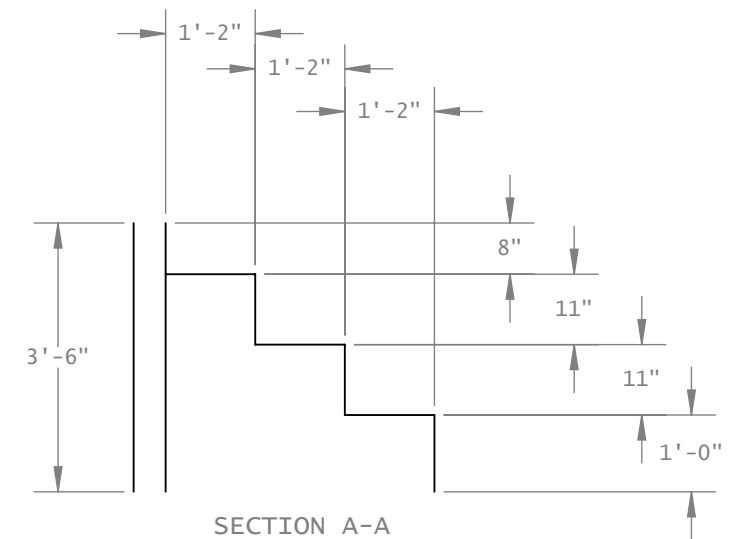
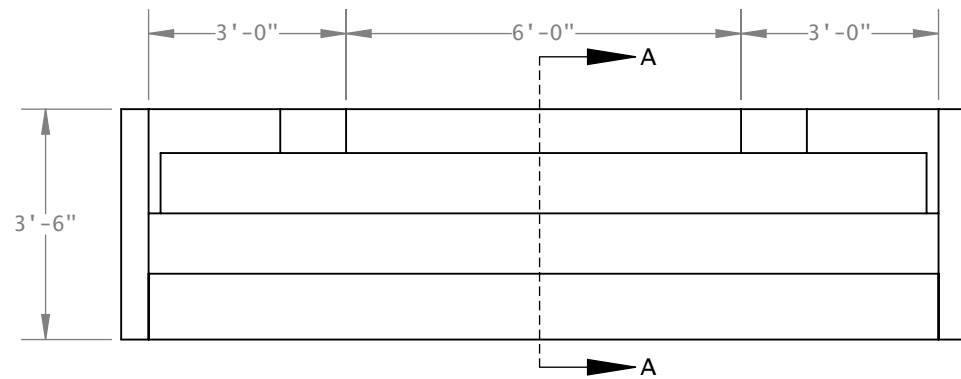
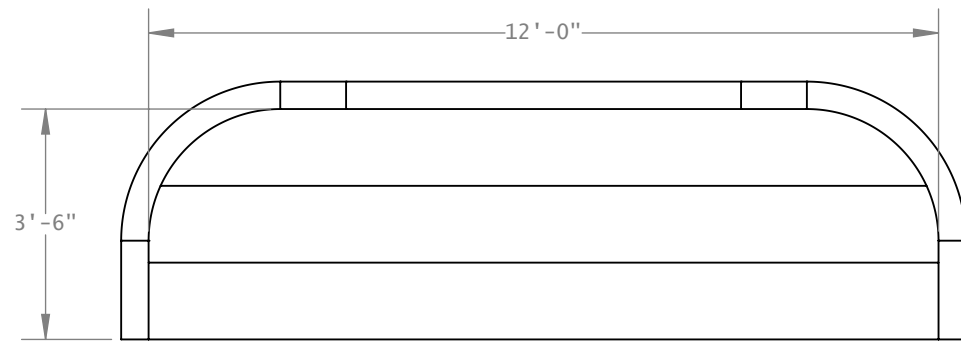
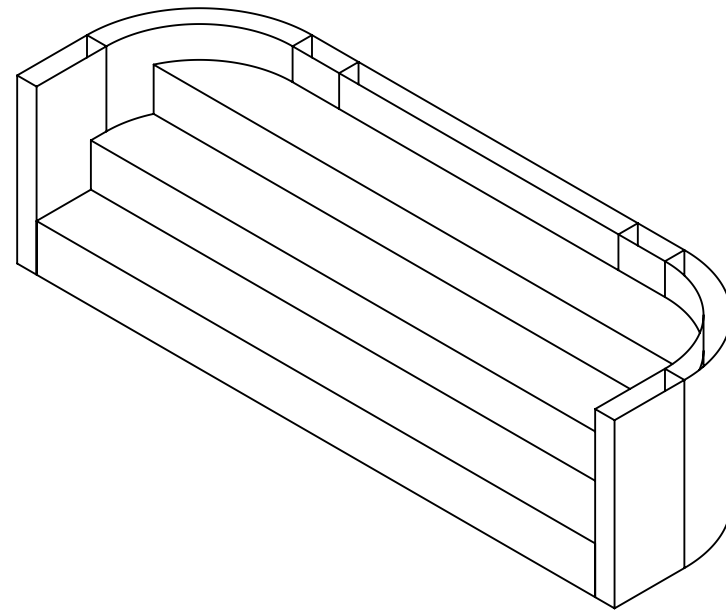
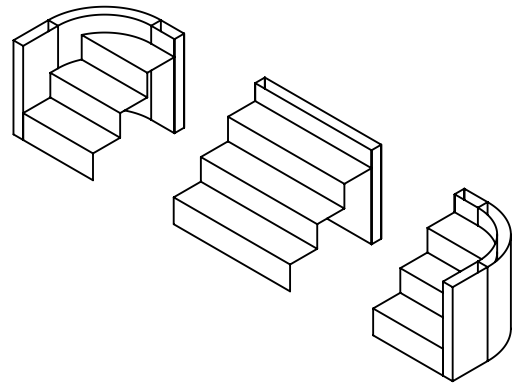
1

B

B

A

A



THIRD ANGLE PROJECTION						THIS INFORMATION CONTAINED IN THE DRAWING IS THE SOLE PROPERTY OF ROYAL SWIMMING POOLS. ANY REPRODUCTION IN PART OR WHOLE WITHOUT THE WRITTEN PERMISSION OF ROYAL SWIMMING POOLS IS PROHIBITED.	
DIMENSIONAL UNITS				DESCRIPTION			
FT-IN				12' MALACH STEEL MODULAR STEPS 42" CLOSED TOP - 2' RAD			
SIZE	SCALE	SHEET	PART NO.			REV.	
B	NTS	1 OF 1		SC-42H-12W-2R			00

4

3

2

1