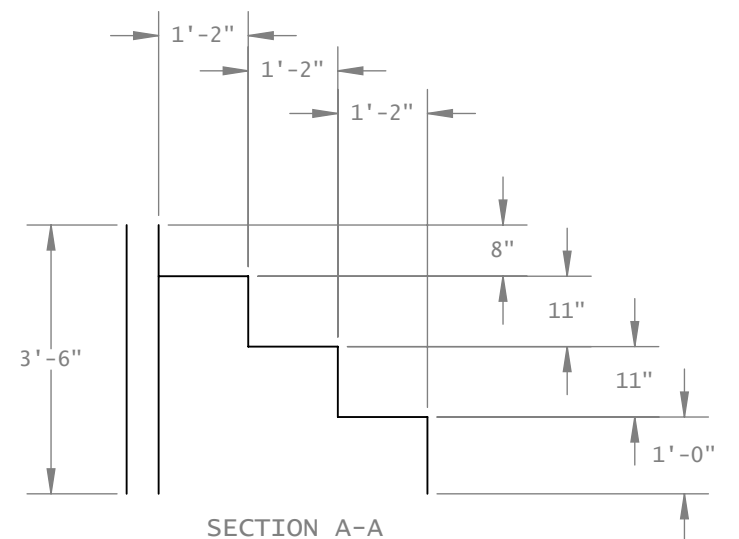
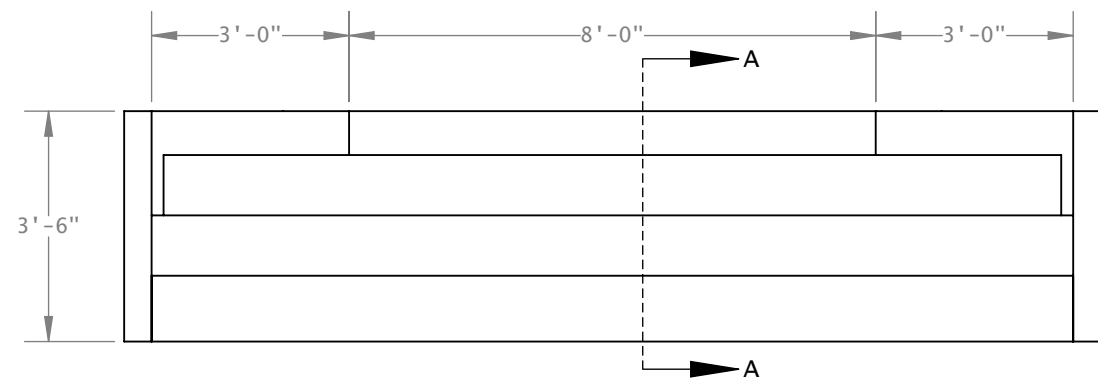
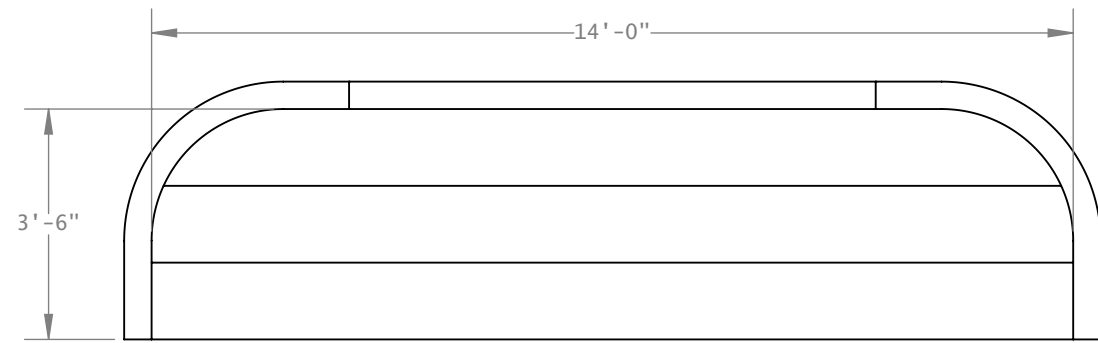
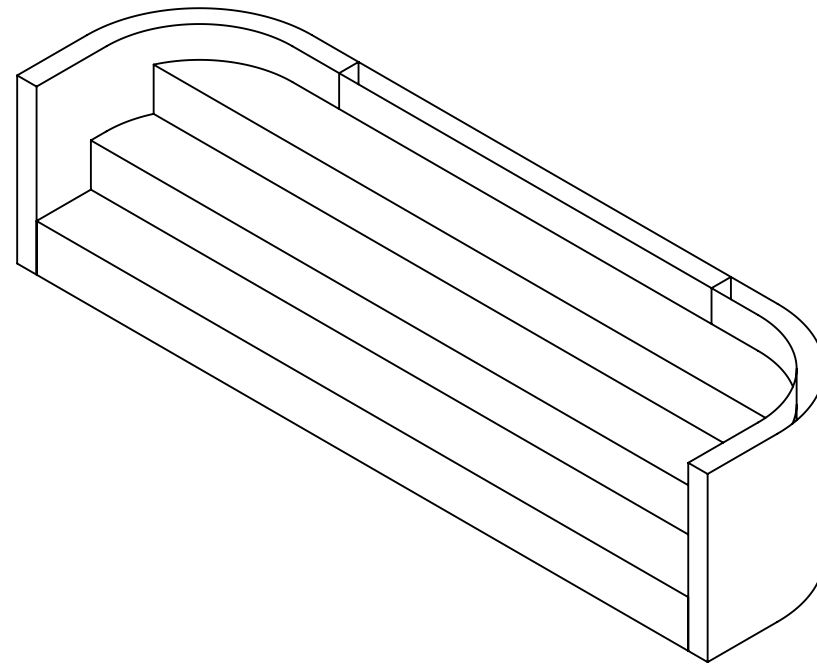
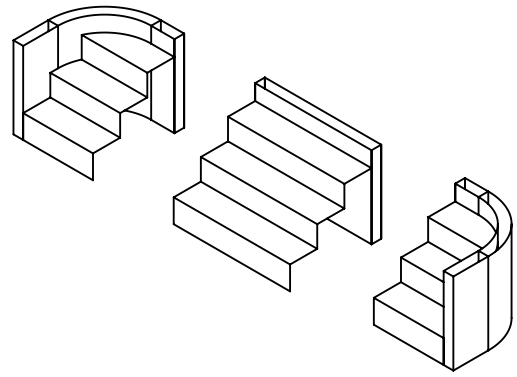


4

3

2

1



SECTION A-A
SCALE 1 : 30

THIRD ANGLE PROJECTION						<small>THIS INFORMATION CONTAINED IN THE DRAWING IS THE SOLE PROPERTY OF ROYAL SWIMMING POOLS. ANY REPRODUCTION IN PART OR WHOLE WITHOUT THE WRITTEN PERMISSION OF ROYAL SWIMMING POOLS IS PROHIBITED.</small>	
DIMENSIONAL UNITS				DESCRIPTION			
FT-IN				14' MALACH STEEL MODULAR STEPS 42" CLOSED TOP - 2' RAD			
SIZE	SCALE	SHEET	PART NO.			REV.	
B	NTS	1 OF 1	SC-42H-14W-2R			00	

4

3

2

1