

4

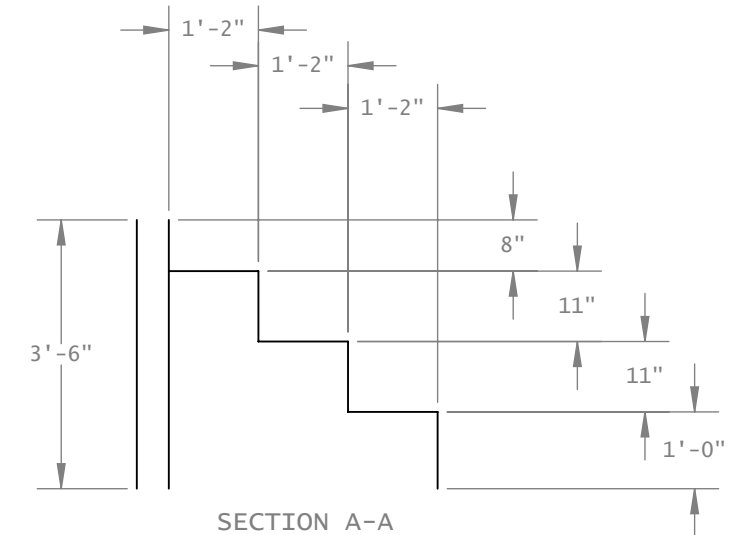
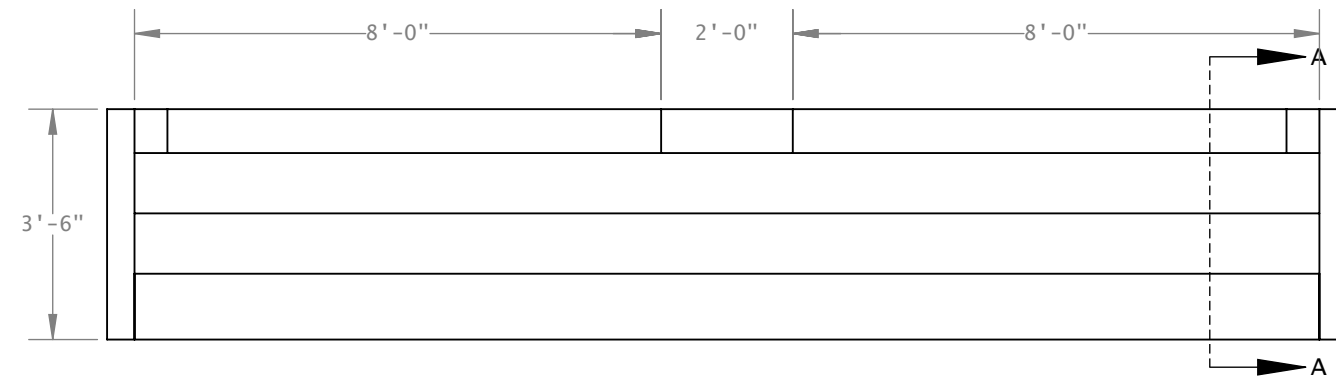
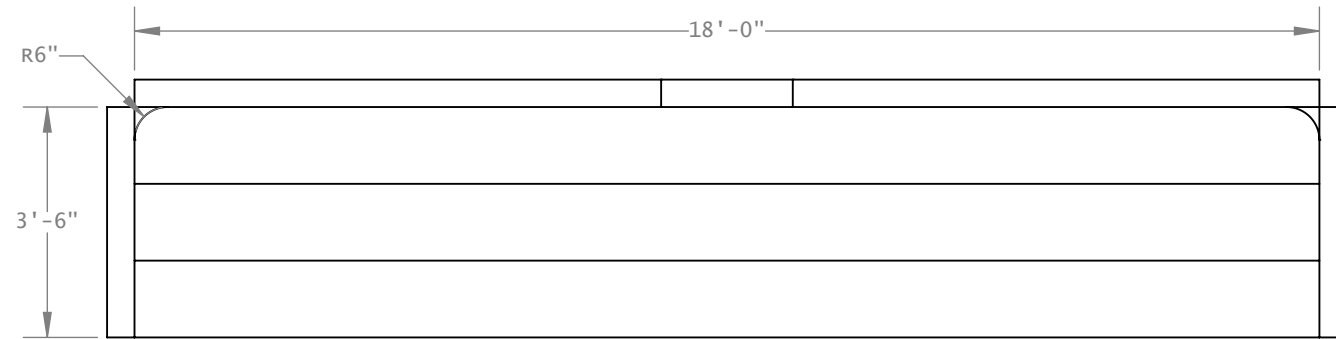
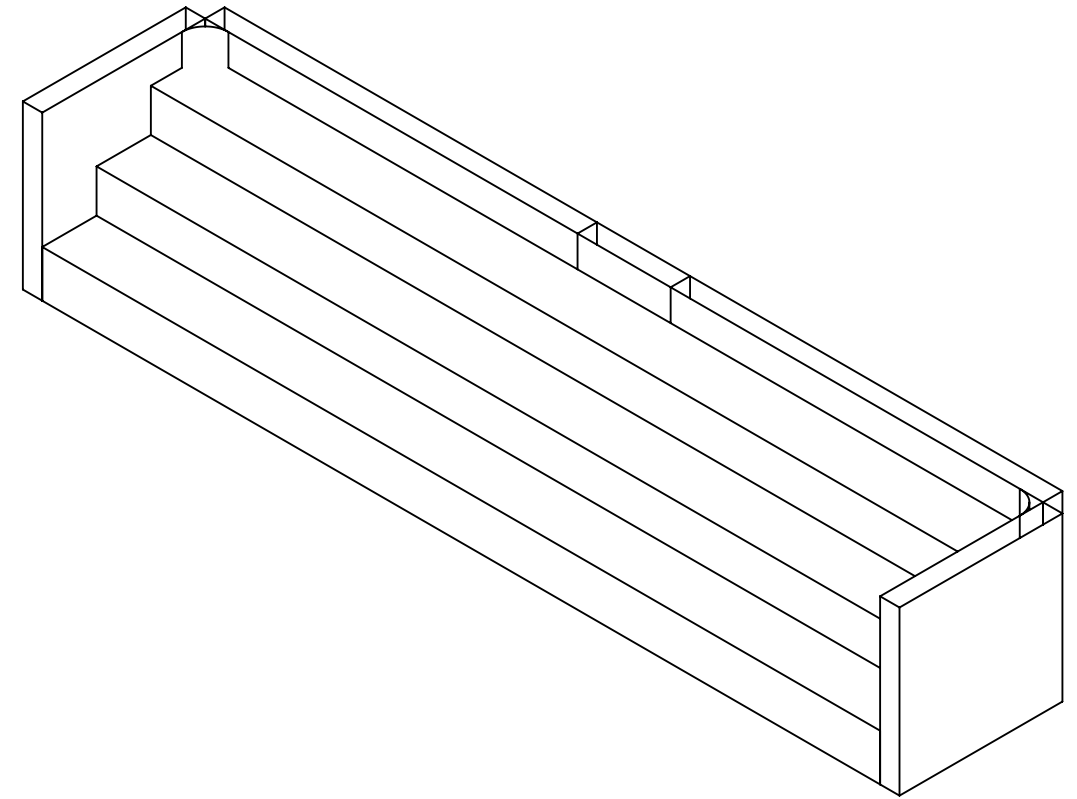
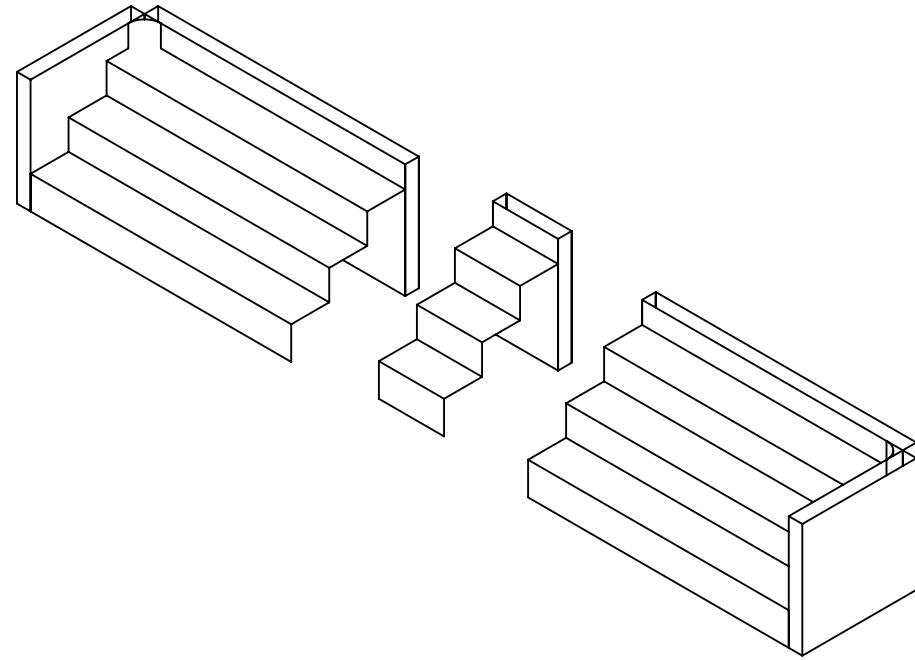
3

2

1

B

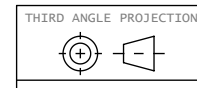
B



SECTION A-A
SCALE 1 : 30

A

A



DIMENSIONAL UNITS
FT-IN



THIS INFORMATION CONTAINED IN THE DRAWING IS THE SOLE PROPERTY OF ROYAL SWIMMING POOLS, ANY REPRODUCTION IN PART OR WHOLE WITHOUT THE WRITTEN PERMISSION OF ROYAL SWIMMING POOLS IS PROHIBITED.

DESCRIPTION
18' MALACH STEEL MODULAR STEPS 42" CLOSED TOP

SIZE	SCALE	SHEET	PART NO.	REV.
B	NTS	1 OF 1	SC-42H-18W	00

4

3

2

1