

4

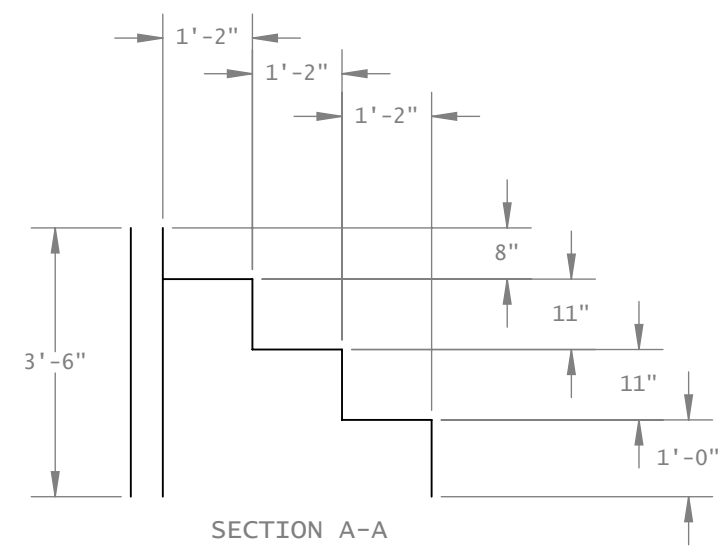
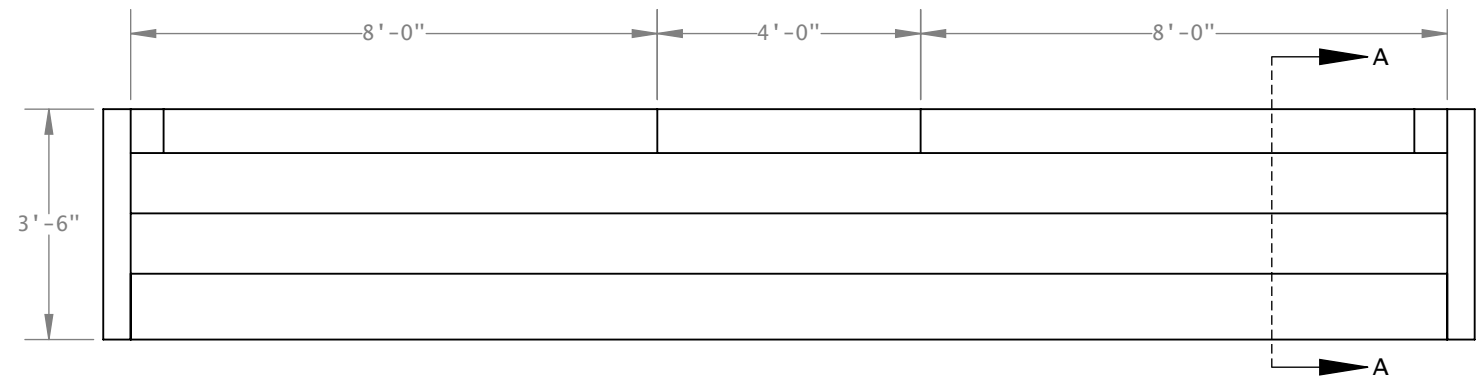
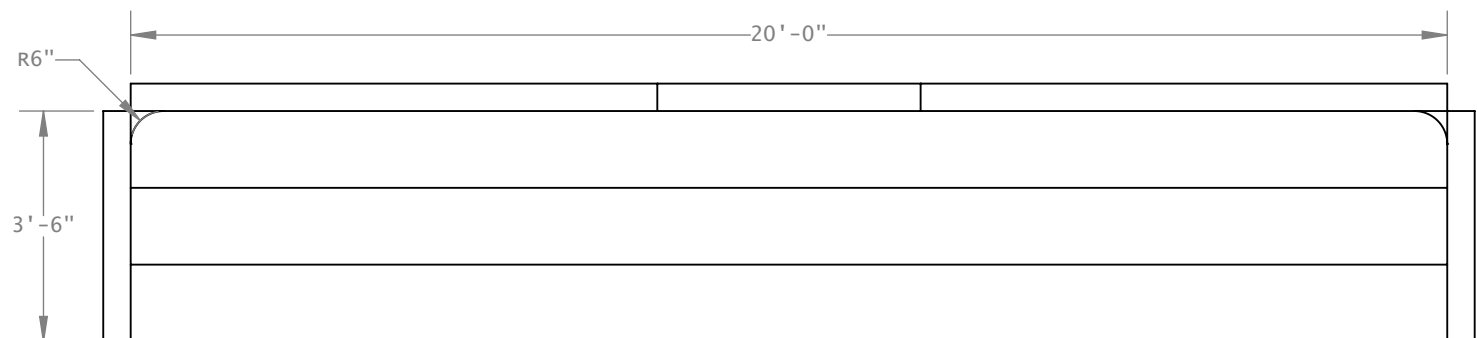
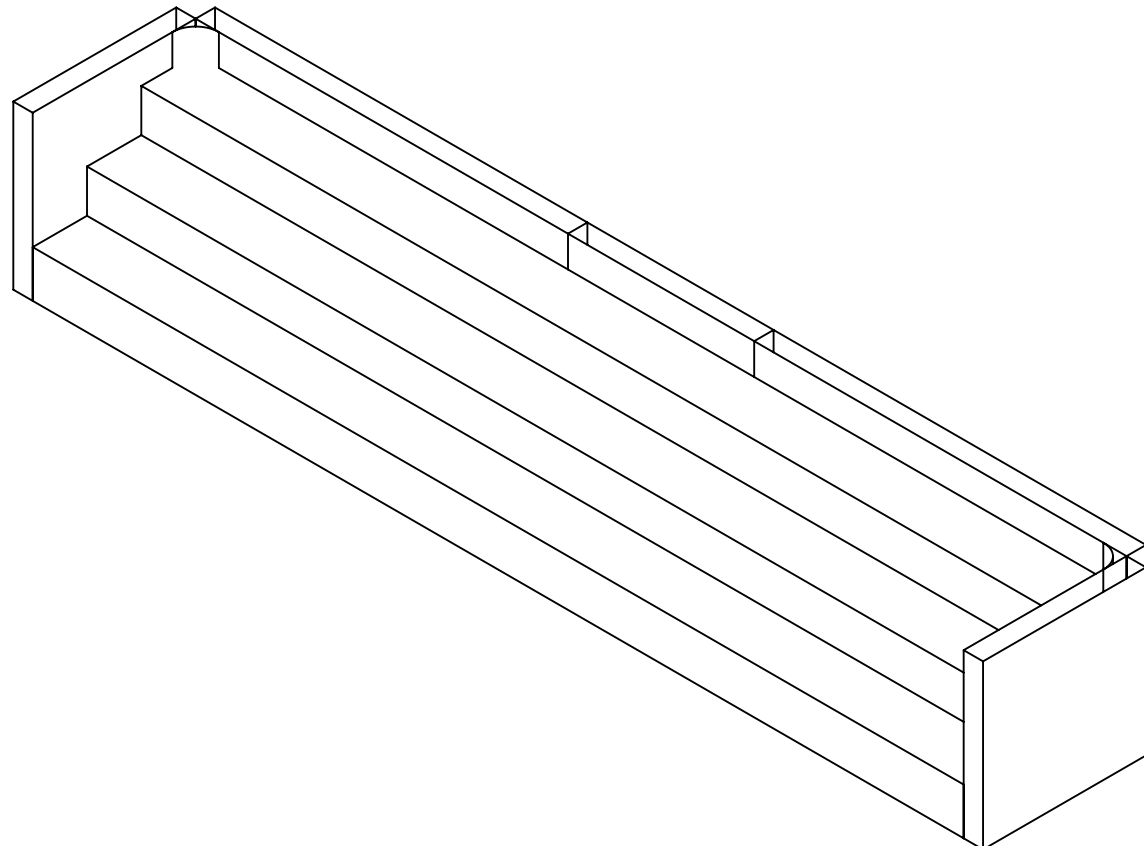
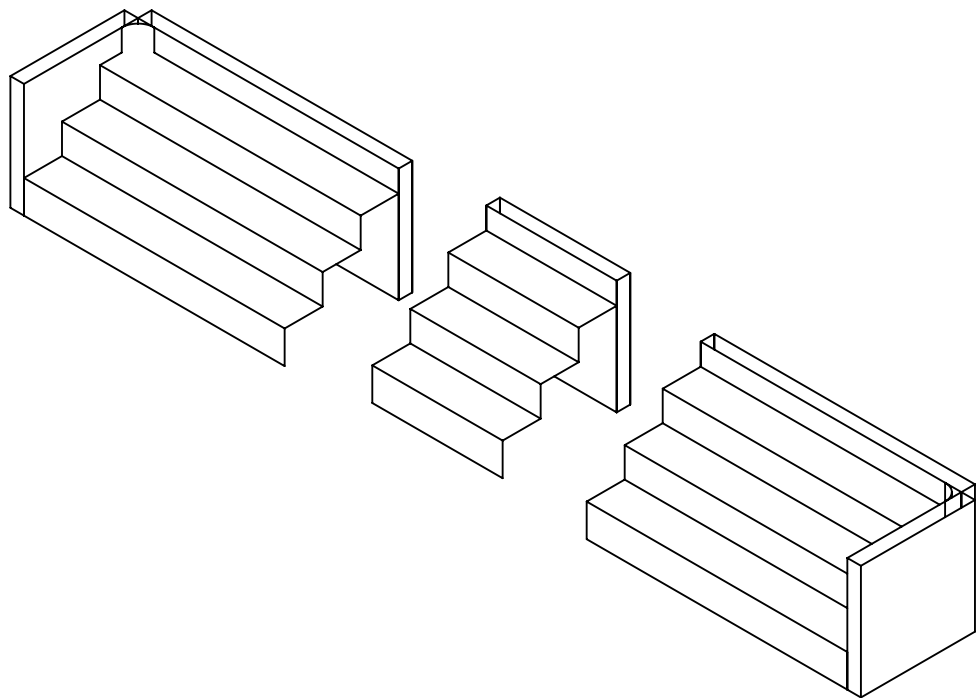
3

2

1

B

B



SECTION A-A
SCALE 1 : 30

A

A

THIRD ANGLE PROJECTION						<small>THIS INFORMATION CONTAINED IN THE DRAWING IS THE SOLE PROPERTY OF ROYAL SWIMMING POOLS. ANY REPRODUCTION IN PART OR WHOLE WITHOUT THE WRITTEN PERMISSION OF ROYAL SWIMMING POOLS IS PROHIBITED.</small>	
DIMENSIONAL UNITS				DESCRIPTION			
FT-IN				20' MALACH STEEL MODULAR STEPS 42" CLOSED TOP			
SIZE	SCALE	SHEET	PART NO.	REV.			
B	NTS	1 OF 1			SC-42H-20W	00	

4

3

2

1