

4

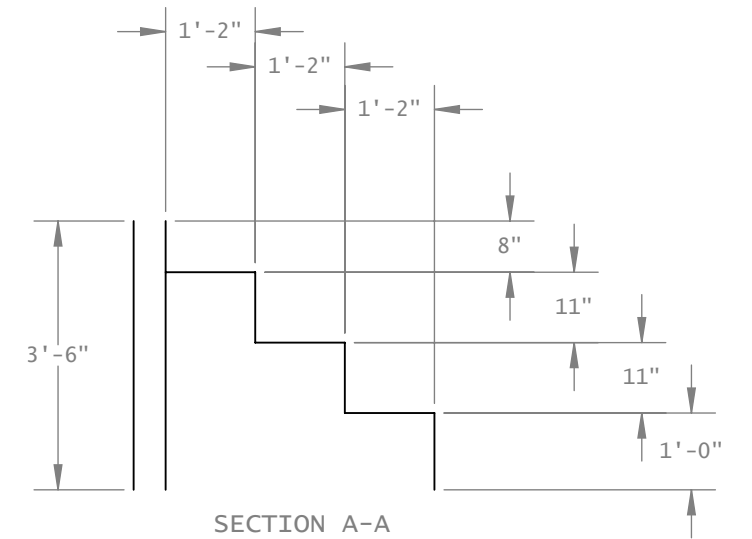
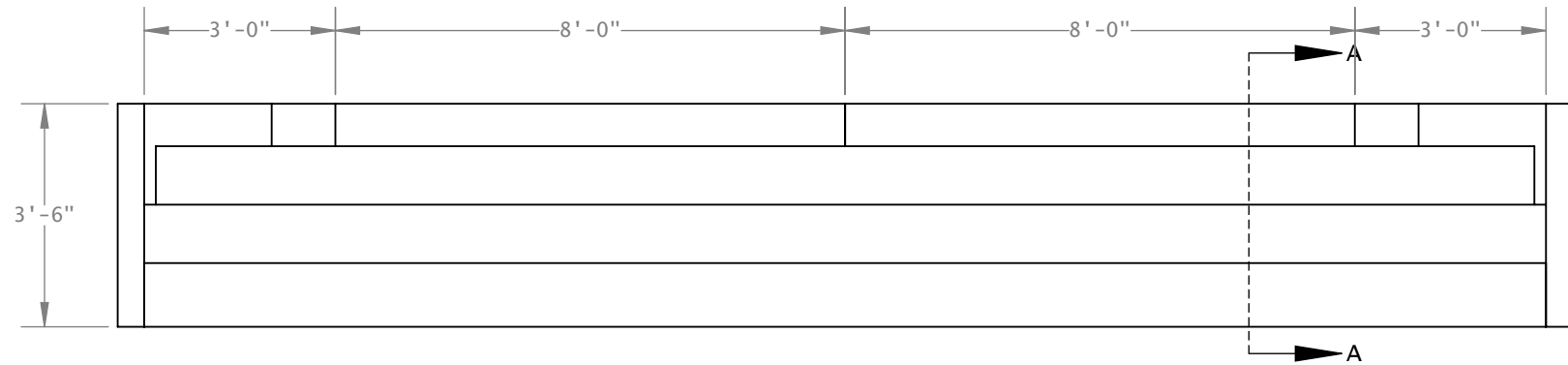
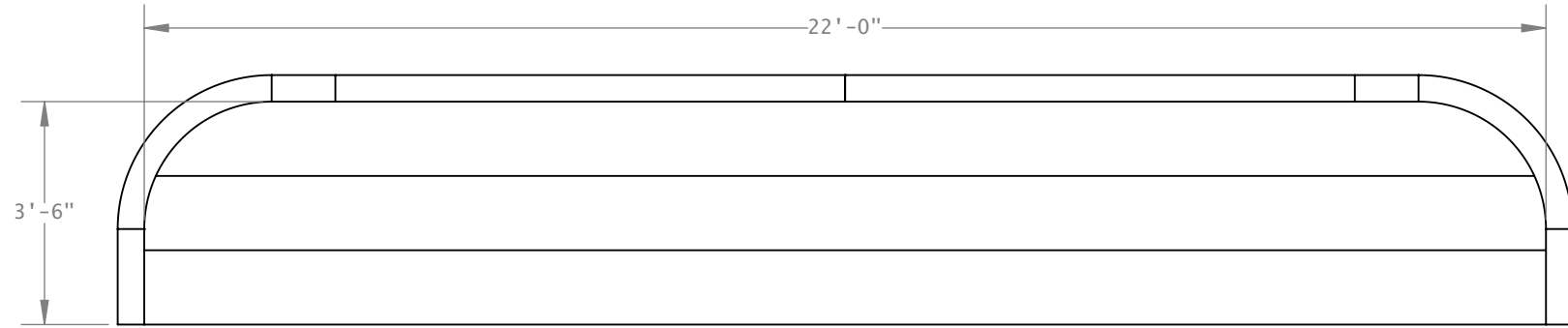
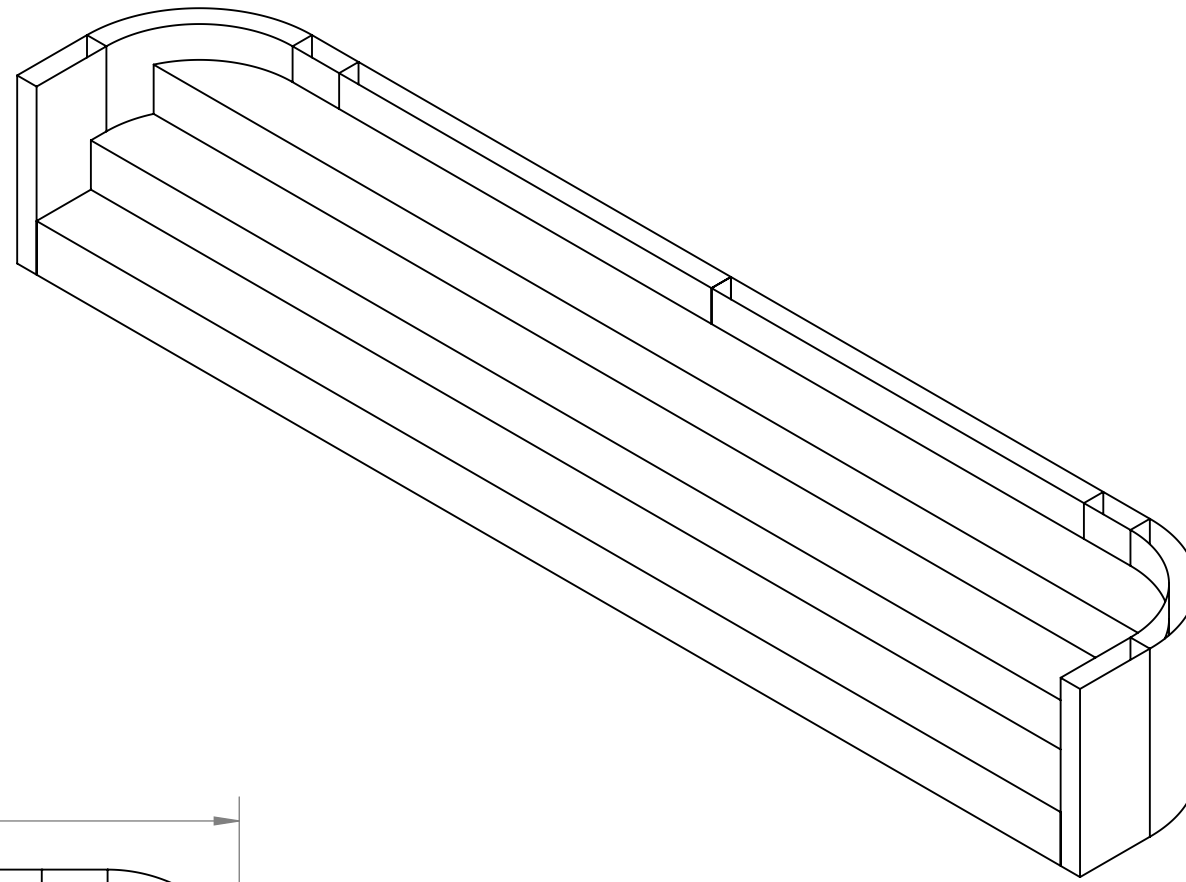
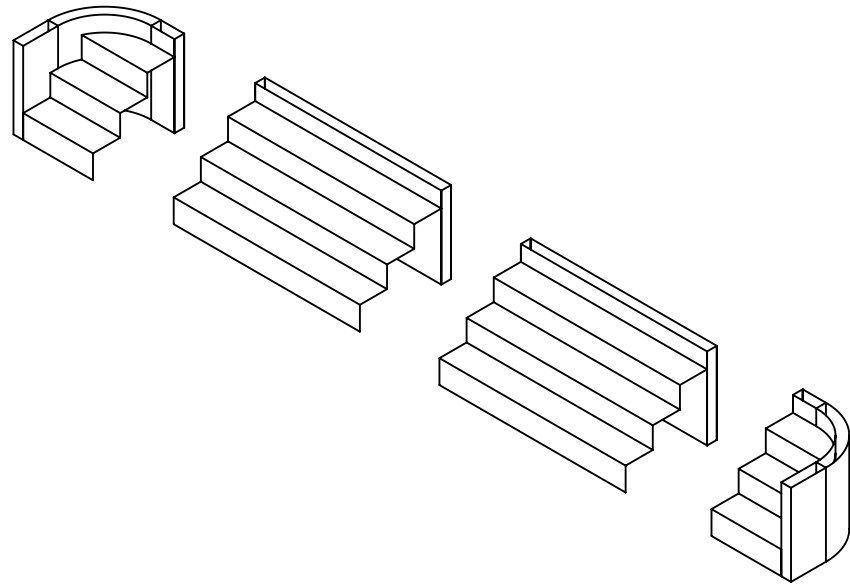
3

2

1

B

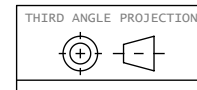
B



SECTION A-A
SCALE 1 : 30

A

A



DIMENSIONAL UNITS
FT-IN

SIZE B SCALE NTS SHEET 1 OF 1

ROYAL
SWIMMING POOLS

DESCRIPTION
22' MALACH STEEL MODULAR STEPS 42" CLOSED TOP - 2' RAD

THIS INFORMATION CONTAINED IN THE DRAWING IS THE SOLE PROPERTY OF ROYAL SWIMMING POOLS. ANY REPRODUCTION IN PART OR WHOLE WITHOUT THE WRITTEN PERMISSION OF ROYAL SWIMMING POOLS IS PROHIBITED.

PART NO. **SC-42H-22W-2R** REV. **00**

4

3

2

1