

4

3

2

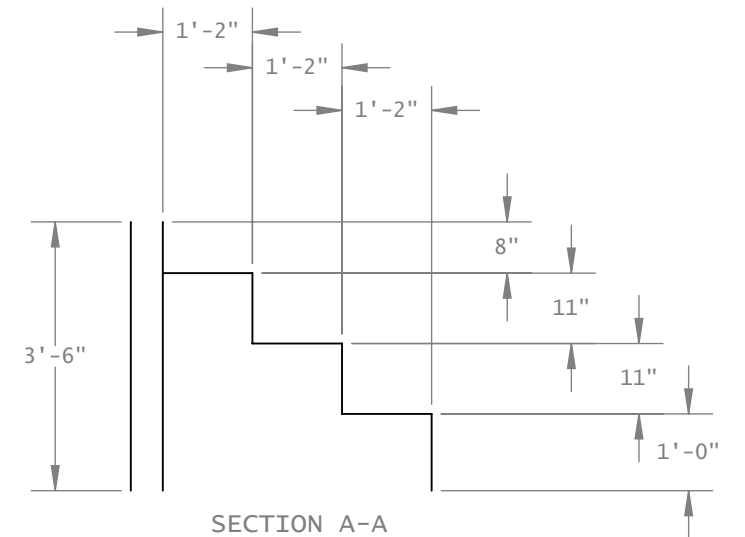
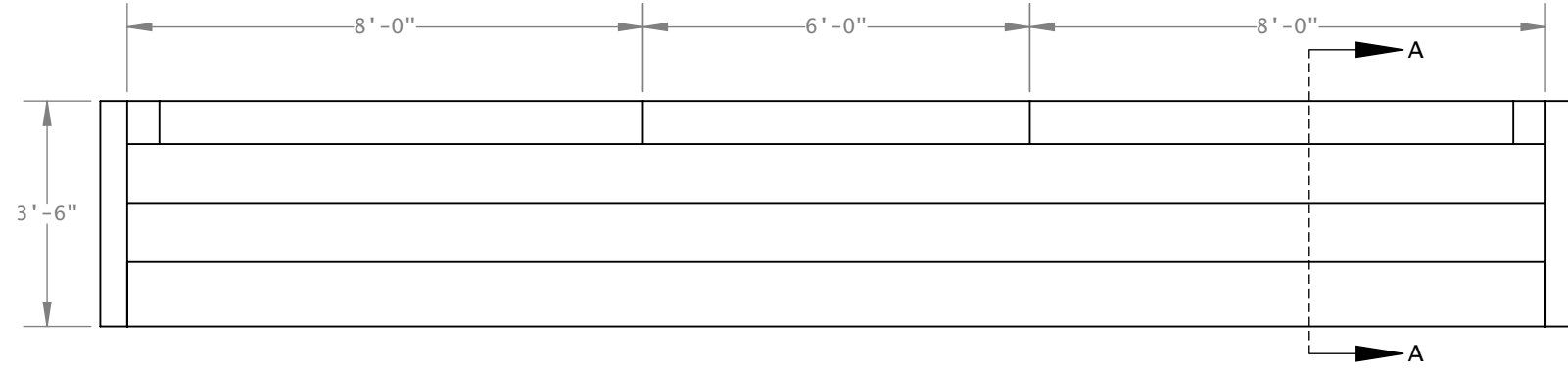
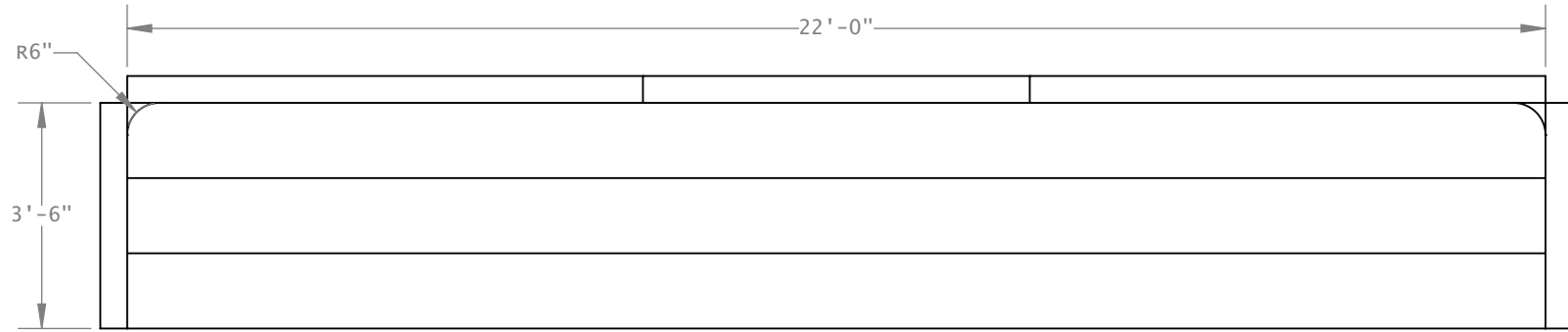
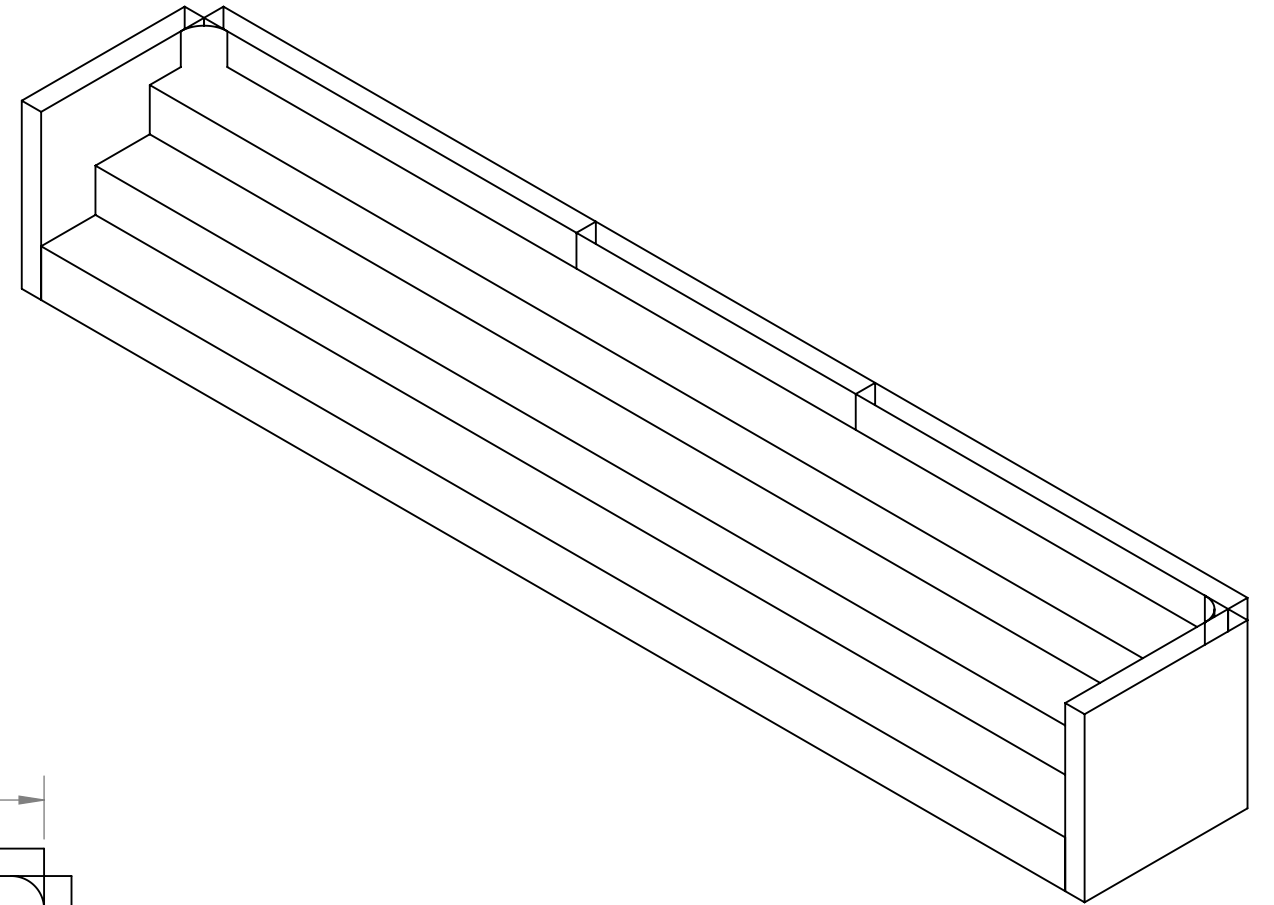
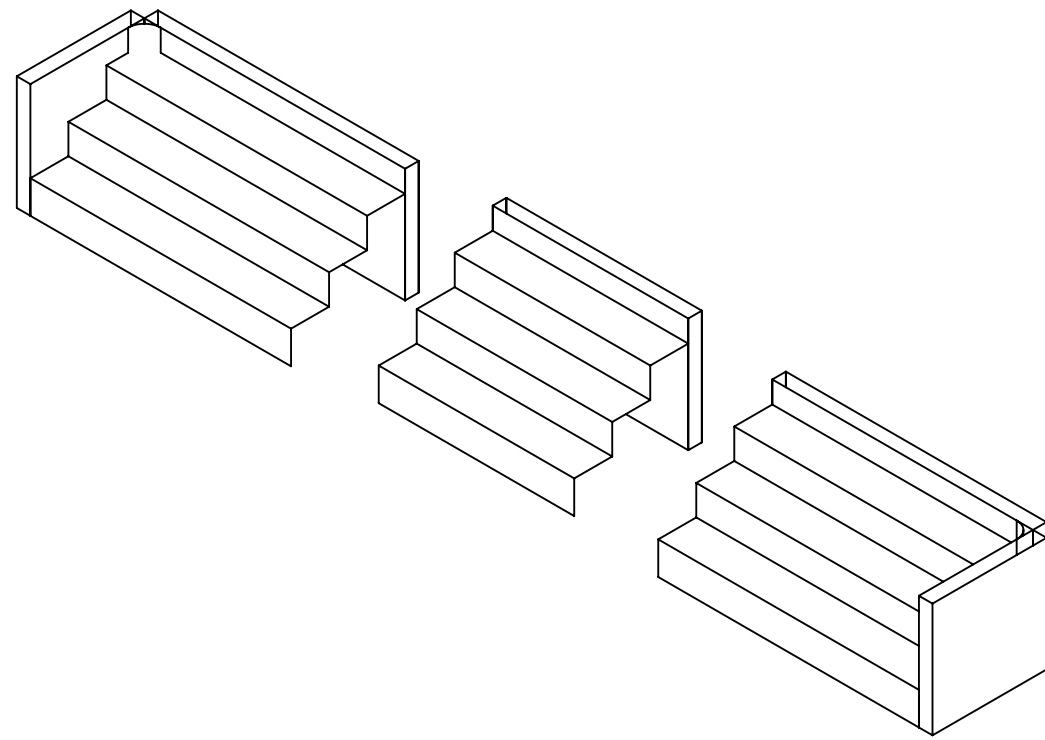
1

B

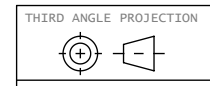
B

A

A



SECTION A-A
SCALE 1 : 30



DIMENSIONAL UNITS
FT-IN

SIZE B SCALE NTS SHEET 1 OF 1



DESCRIPTION
22' MALACH STEEL MODULAR STEPS 42" CLOSED TOP

PART NO. SC-42H-22W REV. 00

THIS INFORMATION CONTAINED IN THE DRAWING IS THE SOLE PROPERTY OF ROYAL SWIMMING POOLS. ANY REPRODUCTION IN PART OR WHOLE WITHOUT THE WRITTEN PERMISSION OF ROYAL SWIMMING POOLS IS PROHIBITED.

4

3

2

1