

4

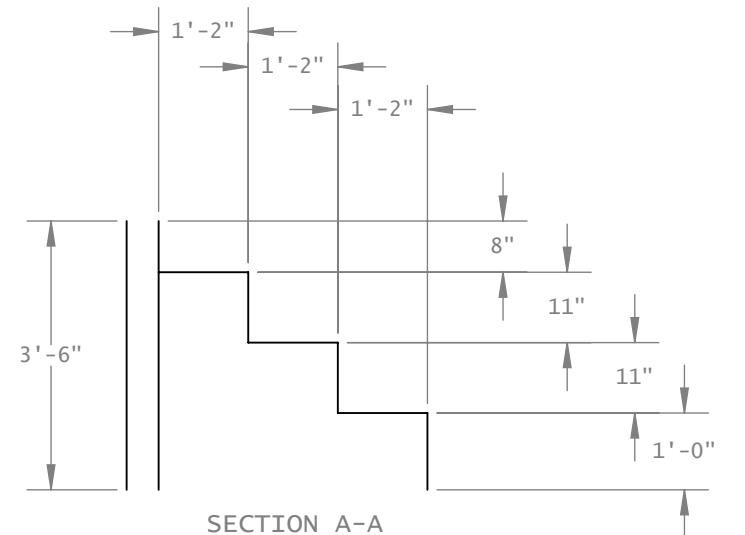
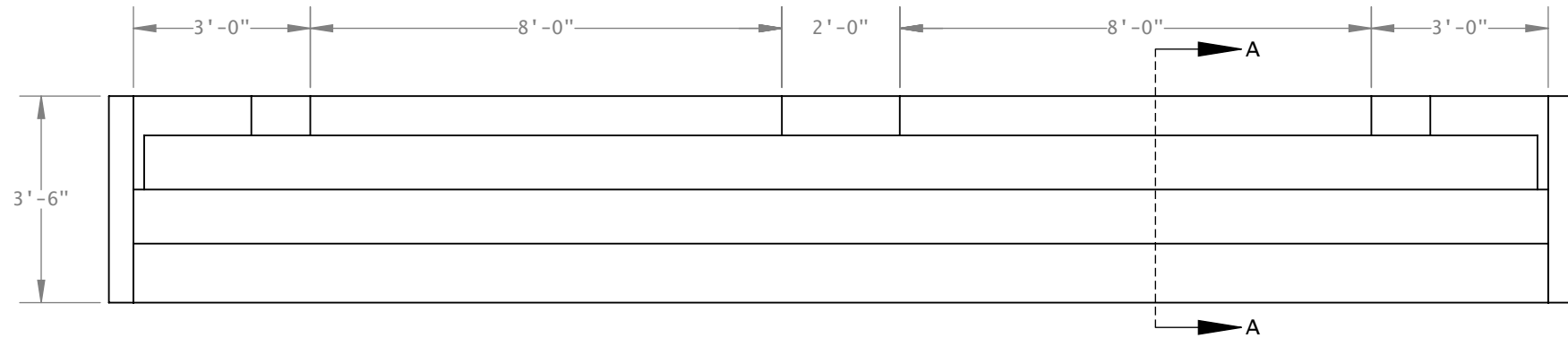
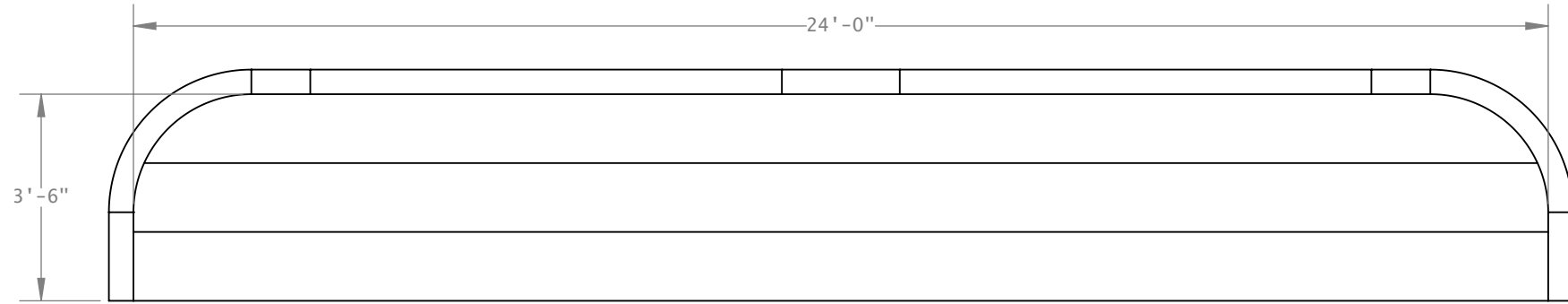
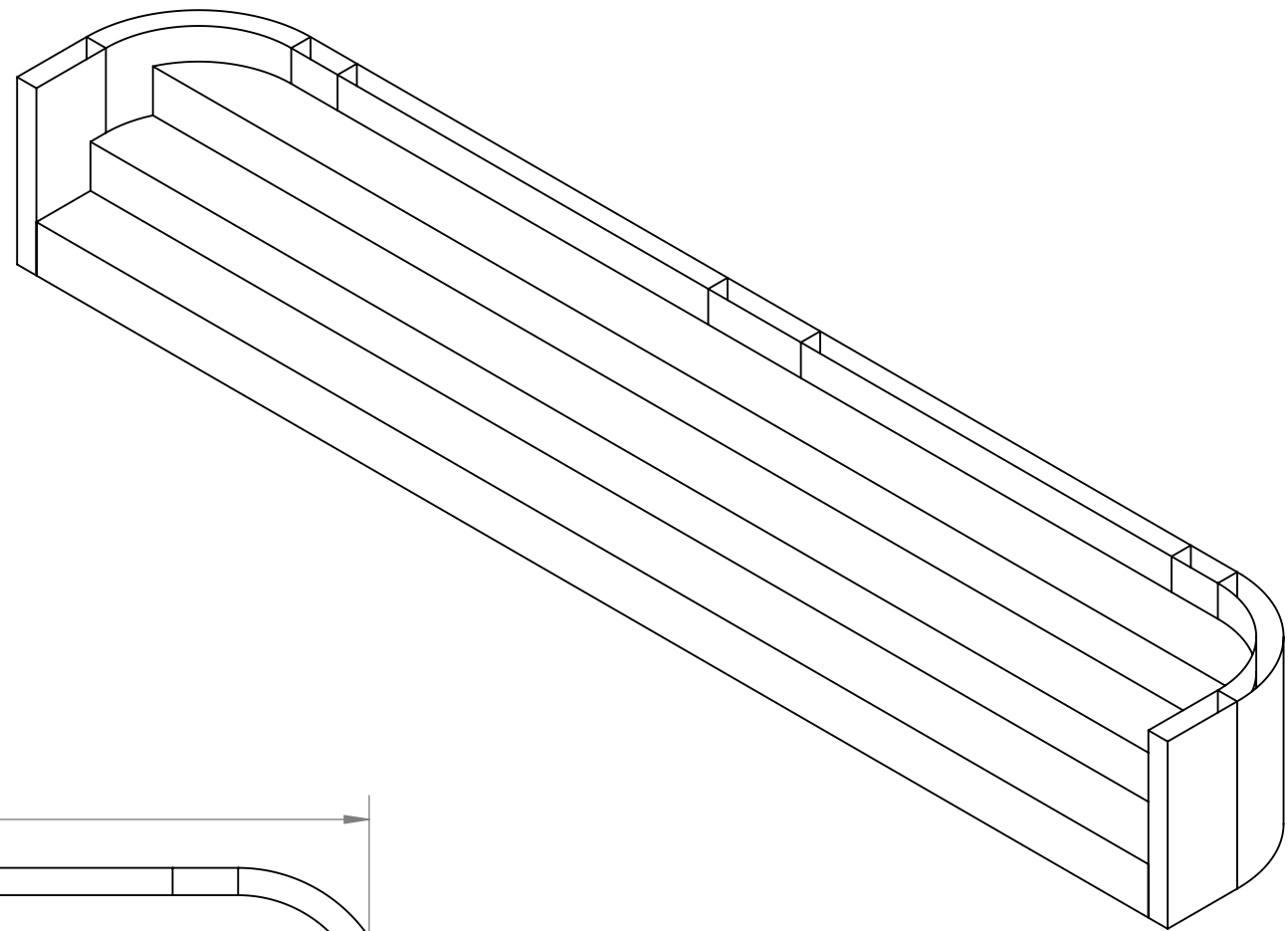
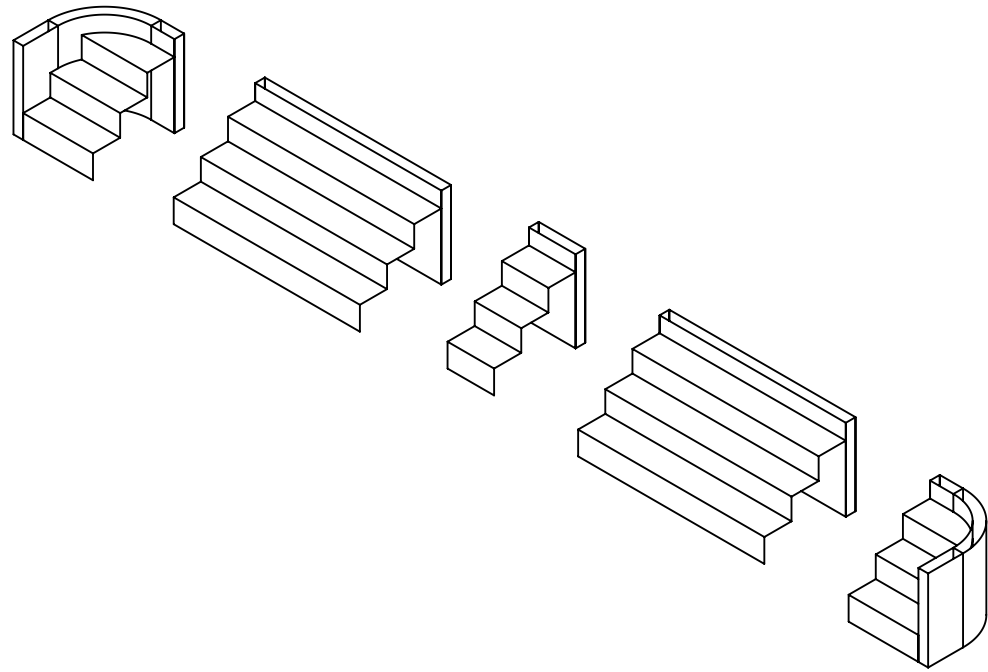
3

2

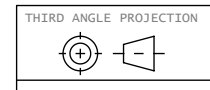
1

B

B



SECTION A-A
SCALE 1 : 30



DIMENSIONAL UNITS
FT-IN

SIZE B SCALE NTS SHEET 1 OF 1



DESCRIPTION
24' MALACH STEEL MODULAR STEPS 42" CLOSED TOP - 2' RAD

PART NO. SC-42H-24W-2R REV. 00

THIS INFORMATION CONTAINED IN THE DRAWING IS THE SOLE PROPERTY OF ROYAL SWIMMING POOLS. ANY REPRODUCTION IN PART OR WHOLE WITHOUT THE WRITTEN PERMISSION OF ROYAL SWIMMING POOLS IS PROHIBITED.

4

3

2

1

A

A