

4

3

2

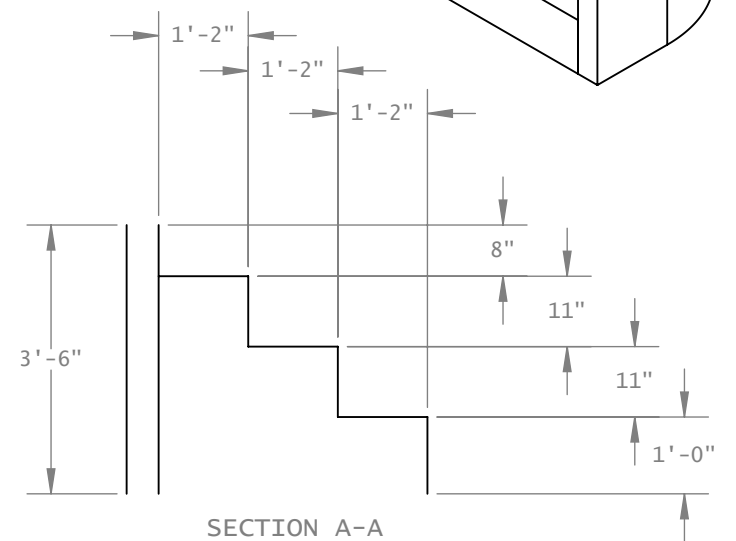
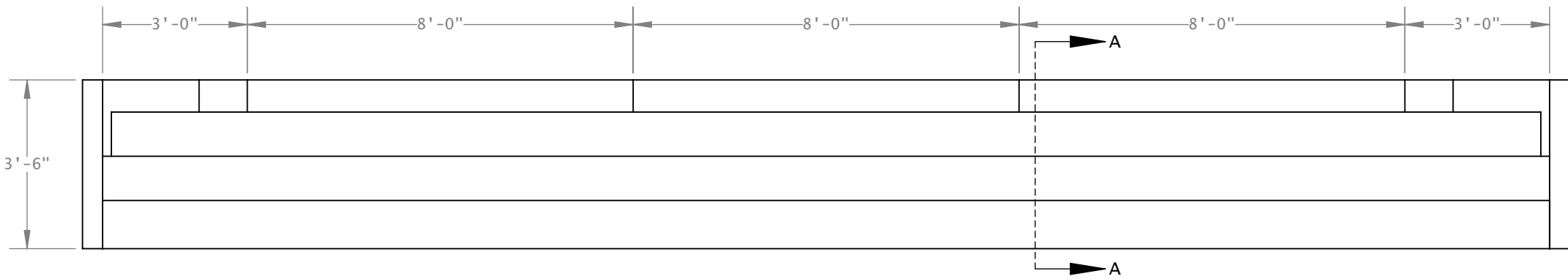
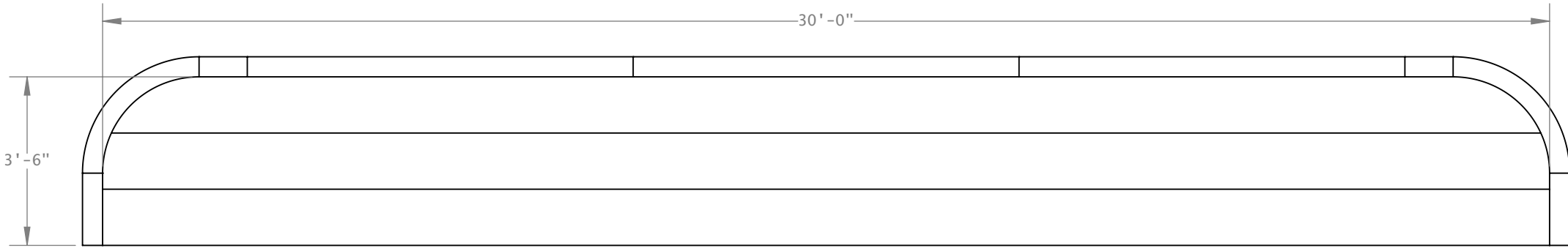
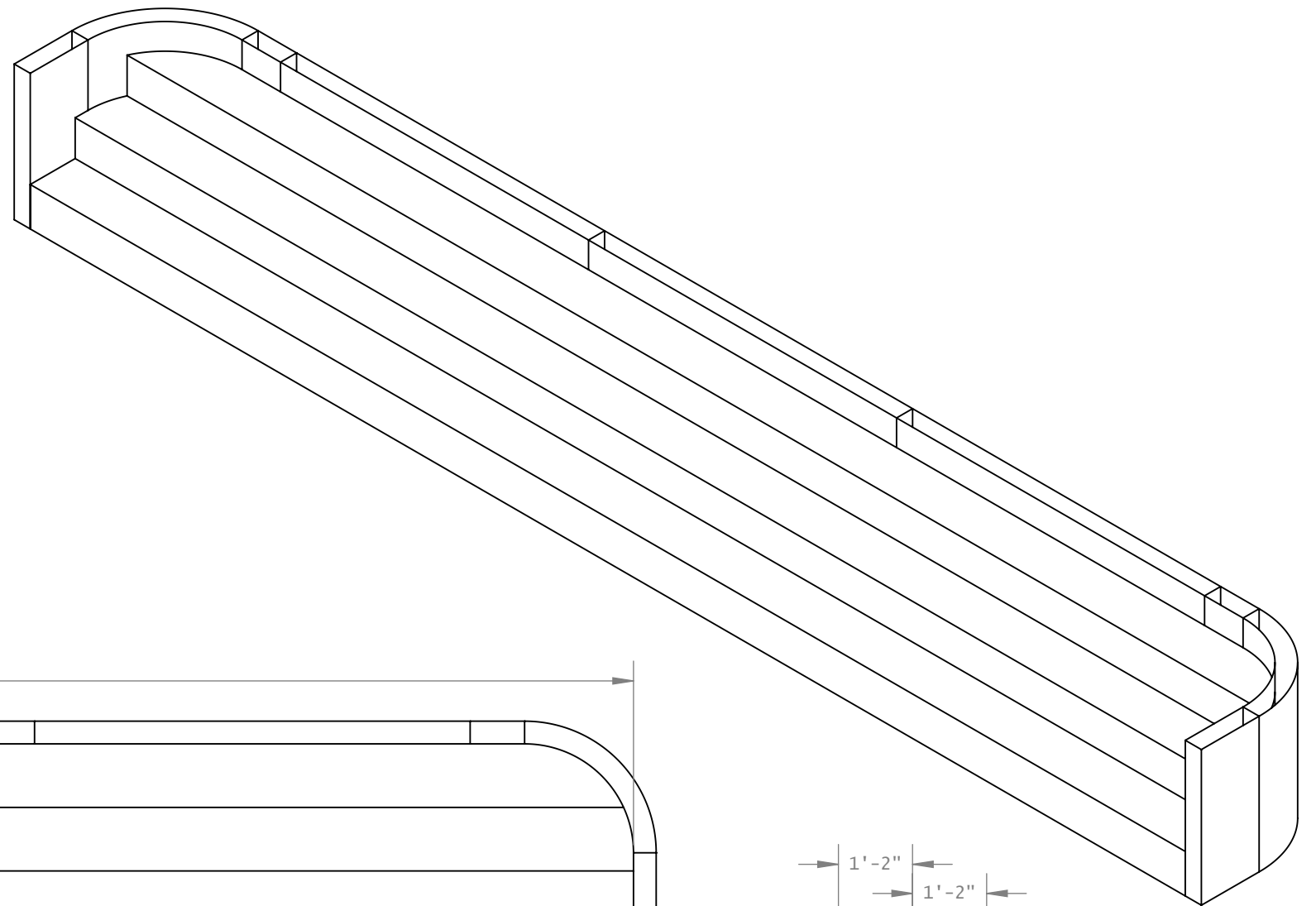
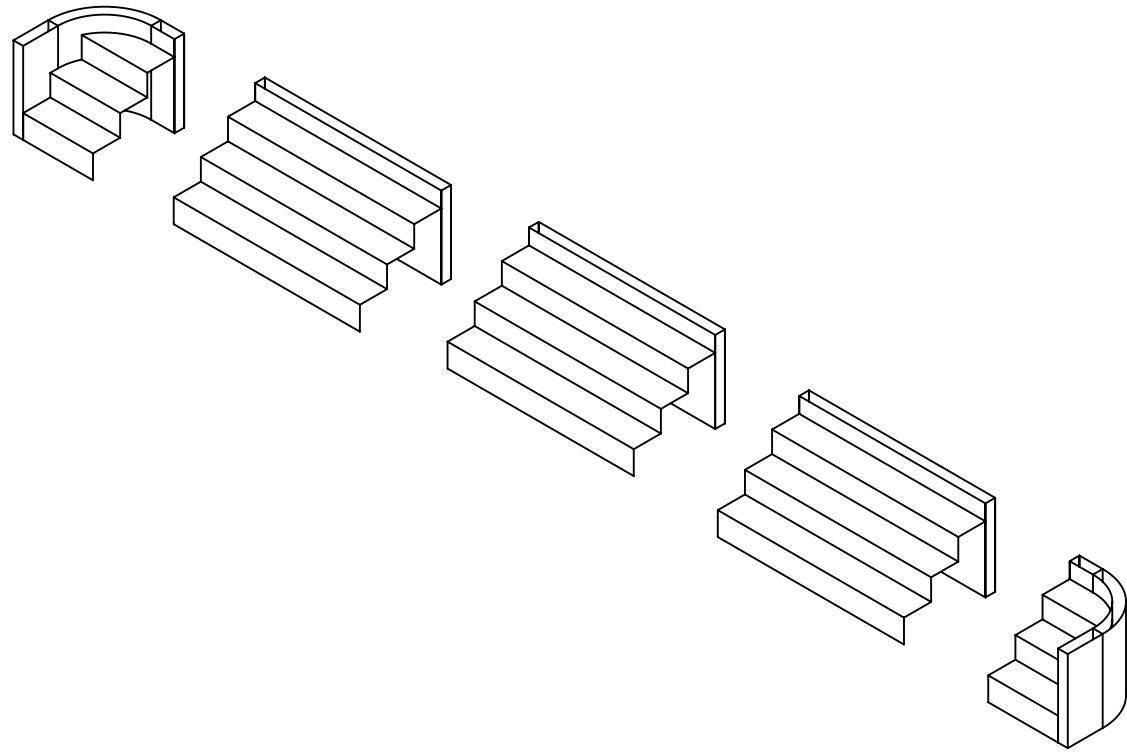
1

B

B

A

A



SECTION A-A  
SCALE 1 : 30

|                        |       |        |          |  |  |  |  |
|------------------------|-------|--------|----------|--|--|--|--|
| THIRD ANGLE PROJECTION |       |        |          |  |  | <small>THIS INFORMATION CONTAINED IN THE DRAWING IS THE SOLE PROPERTY OF ROYAL SWIMMING POOLS. ANY REPRODUCTION IN PART OR WHOLE WITHOUT THE WRITTEN PERMISSION OF ROYAL SWIMMING POOLS IS PROHIBITED.</small> |  |
| DIMENSIONAL UNITS      |       |        |          | DESCRIPTION  |  |  |  |
| FT-IN                  |       |        |          | 30' MALACH STEEL MODULAR STEPS 42" CLOSED TOP - 2' RAD |  |  |  |
| SIZE                   | SCALE | SHEET  | PART NO. | REV.   |  |  |  |
| B                      | NTS   | 1 OF 1 |          | SC-42H-30W-2R  |  | 00   |  |

4

3

2

1