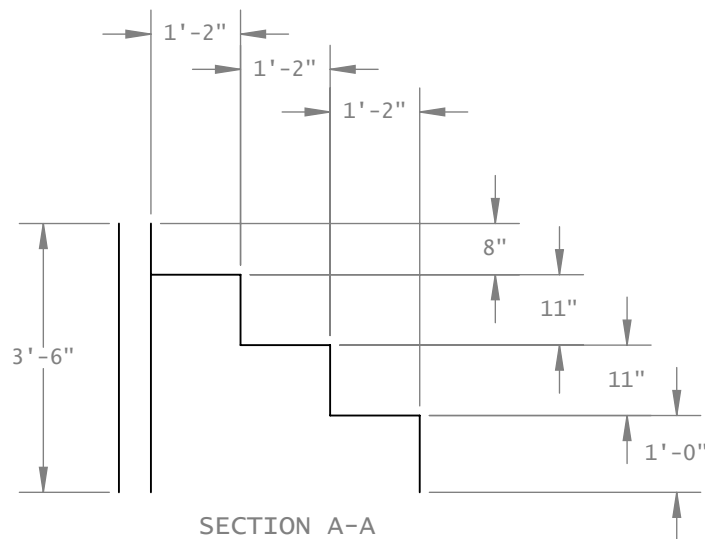
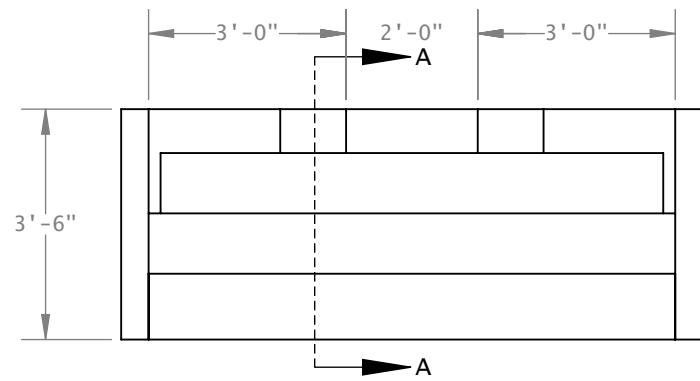
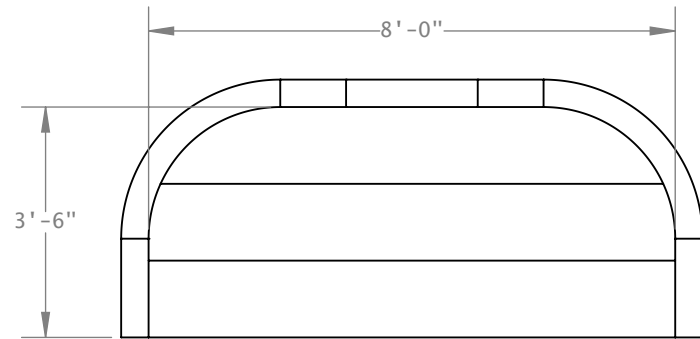
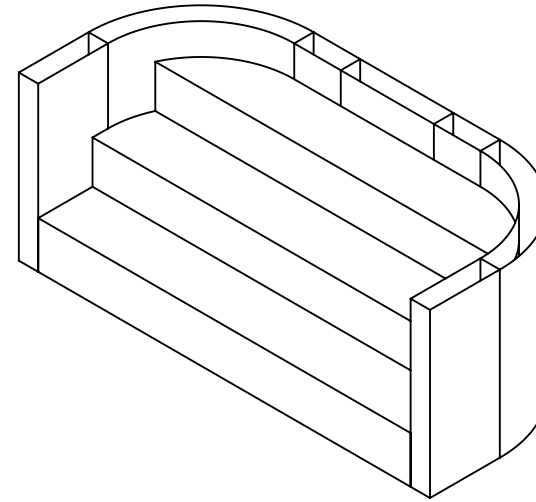
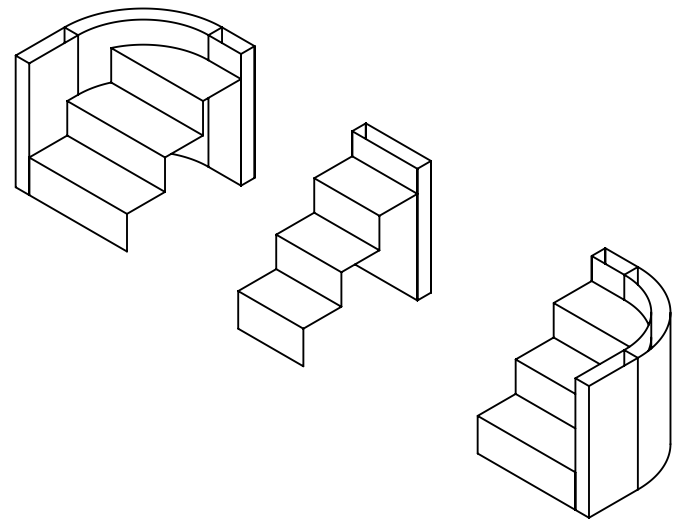


4

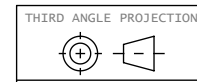
3

2

1



SECTION A-A  
SCALE 1 : 30



THIRD ANGLE PROJECTION  
DIMENSIONAL UNITS  
FT-IN

SIZE  
B

SCALE  
NTS

SHEET  
1 OF 1



DESCRIPTION  
8' MALACH STEEL MODULAR STEPS 42" CLOSED TOP - 2' RAD

PART NO.

SC-42H-8W-2R

REV.  
00

THIS INFORMATION CONTAINED IN THE DRAWING IS THE SOLE PROPERTY OF ROYAL SWIMMING POOLS. ANY REPRODUCTION IN PART OR WHOLE WITHOUT THE WRITTEN PERMISSION OF ROYAL SWIMMING POOLS IS PROHIBITED.

4

3

2

1