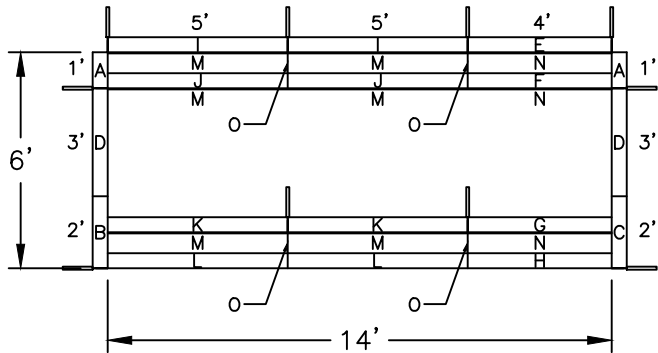




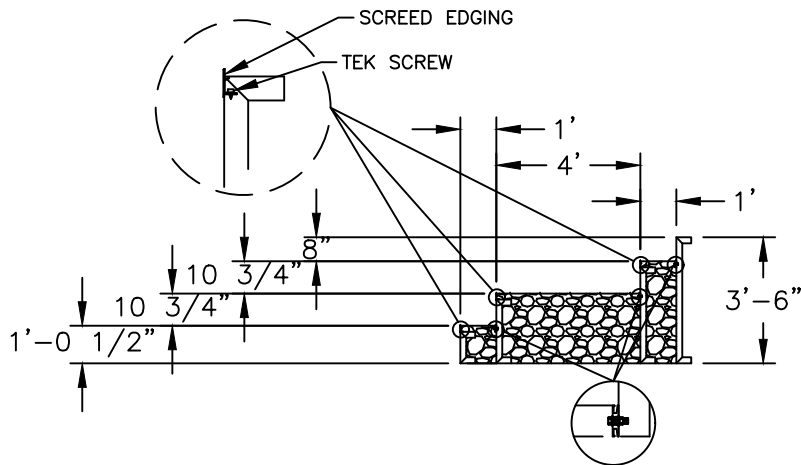
Name: 14' POURED STEP/SUNDECK W/LINER TRACK – SCREED EDGE

Number: -----

250 Route 61 South, Schuylkill Haven, PA 17972 • 570-385-4733 • fax: 570-385-1318 • CustomerService@CardinalSystemsinc.com



14'-0" -			
POSITION	QTY	DESCRIPTION	
A	2	SP1651	1'-0" STEP SIDE PANEL
B	1	SP2678	2'-0" STEP PANEL
C	1	SP2679	2'-0" STEP PANEL
D	2	5S42300XXX0	3'-0" PANEL
E	1	SP0108	4'-0" STEP PANEL
F	1	PT1791	4'-0" POURED TREAD TOP
G	1	PT1873	4'-0" POURED TREAD CENTER
H	1	PT1875	4'-0" POURED TREAD BOTTOM
I	2	PT0186	5'-0" STEP PANEL
J	2	PT2256	5'-0" POURED TREAD TOP
K	2	PT2257	5'-0" POURED TREAD CENTER
L	2	PT1887	5'-0" POURED TREAD BOTTOM
M	6	LT0020	5'-0" LINER TRACK
N	3	LT0005	4'-0" LINER TRACK
O	4	TS0007	1'-0" POURED TREAD SUPPORT
	2	CS902SA	SQUARE CORNER ANGLE
	2	CS903FC	FOAM CORNER
	1	BP106ST	LARGE STEP BOLT PACK
	1	BP000TS	BOX OF TEK SCREWS
	3	SP0745-6N-3	BOX OF 3 - 6' SCREED EDGE
	8	HPSFOB	A-FRAME ASSEMBLY
	2	CS6000PTB	A-FRAME ASSEMBLY
	2	CS606ES	SHORT ANGLE
	10	HPSSTAKE	18" DRIVE STAKE



NOTE:  
USE REBAR HOLE LOCATIONS TO PIN WALL AND STEP DECK SUPPORTS IN PLACE. THEN POUR 4"-6" OF CONCRETE AROUND THESE AREAS AND UNDER THE ASSEMBLY FOR REINFORCEMENT

FIBERGLASS ROD TOTALS:

6' LENGTHS = ---  
8' LENGTHS = ---

Drawn By: GR

Date: 8/6/2019

Scale: 3/16" = 1'-0"

Notes: -----

This information is the confidential property of Cardinal Systems, Inc. Disclosure or duplication without proper written approval is strictly prohibited. Acceptance and use of this drawing constitutes knowledge and acceptance by the user of the terms and conditions set forth in the notice and warning which accompanied this drawing is incorporated herein and made part hereof and is found on Cardinal Systems, Inc's website at www.CardinalSystemsInc.com



CardinalSystemsInc.com