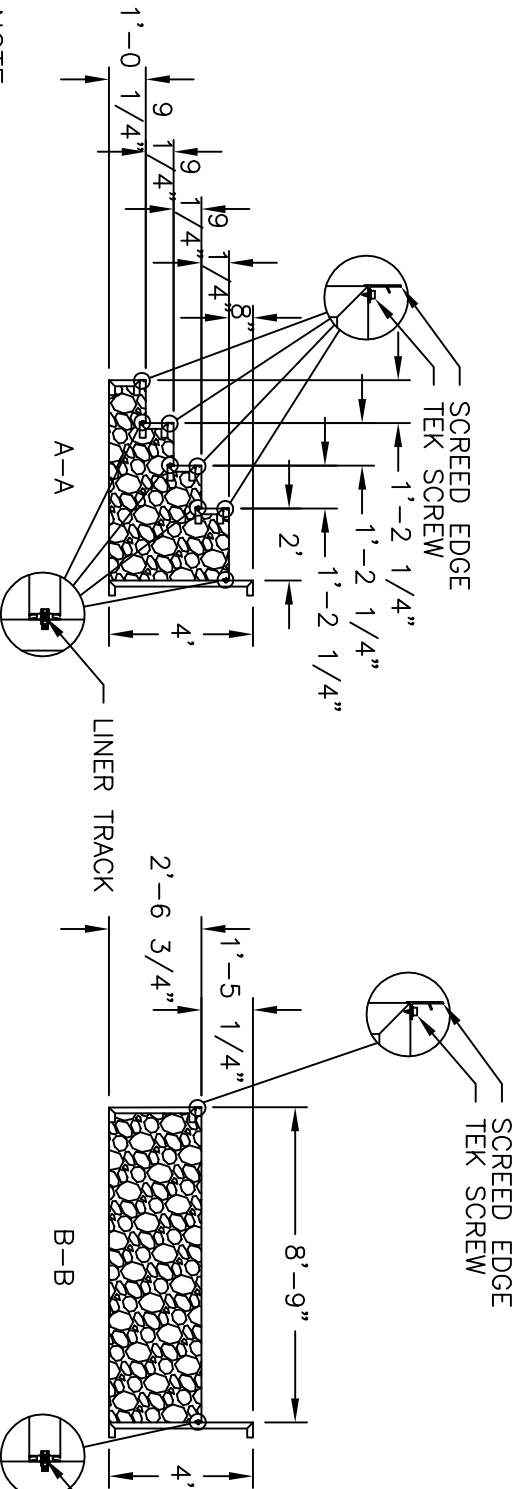
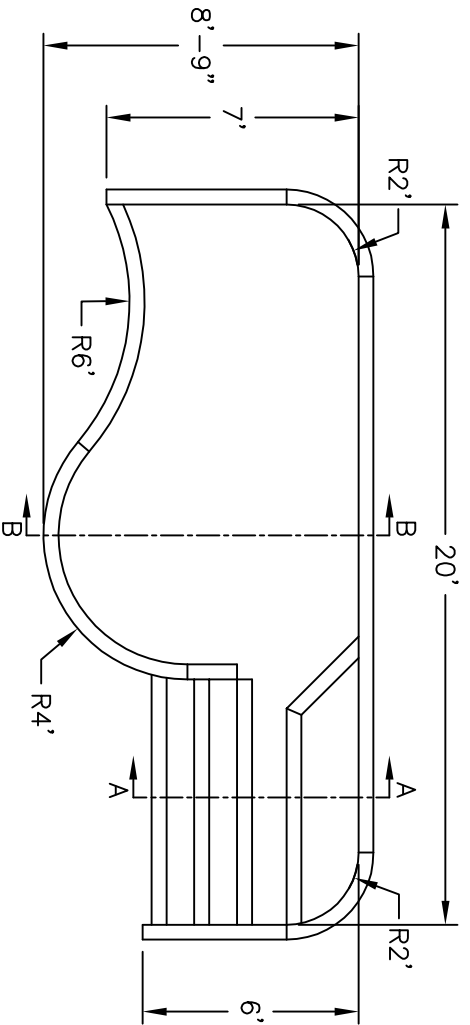




Name: 20' POURED STEP/SUNDECK W/LINER TRACK-SCREED EDGE-NEW STYLE-4 TREAD 48" HIGH W/2' RADIUS CORNERS
Number: -----

250 Route 61 South, Schuylkill Haven, PA 17972 • 570-385-4733 • fax: 570-385-1318 • CustomerService@CardinalSystemsinc.com



NOTE:
 USE REBAR HOLE LOCATIONS TO PIN WALL AND STEP DECK SUPPORTS IN PLACE. THEN POUR 4"-6" OF CONCRETE AROUND THESE AREAS AND UNDER THE ASSEMBLY FOR REINFORCEMENT

FIBERGLASS ROD TOTALS:
 6' LENGTHS = ----
 8' LENGTHS = ----

Drawn By: ELIJAH T.

Date: 2/26/2020

Scale: 3/16" = 1'-0"

Notes: ST014611

This information is the confidential property of Cardinal Systems, Inc. Disclosure or duplication without proper written approval is strictly prohibited. Acceptance and use of this drawing constitutes knowledge and acceptance by the user of the terms and conditions set forth in the notice and warning which accompanied this drawing is incorporated herein and made part hereof and is found on Cardinal Systems, Inc.'s website at www.CardinalSystemsinc.com



CardinalSystemsinc.com