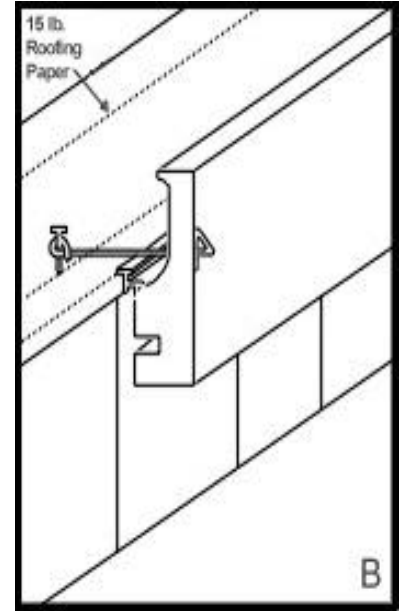
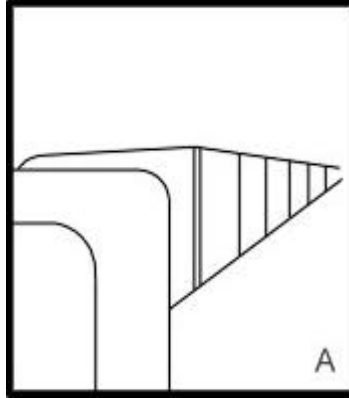


TIE-WIRE SYSTEM

1. Tile Setting Requirements

- Tile must be set from the high point of the bond beam.
- The remainder of the bond beam must be leveled with the top of the tile.
- Scrape the top of the tile to clean away any debris which could cause the tile strip to fit unevenly around the perimeter.



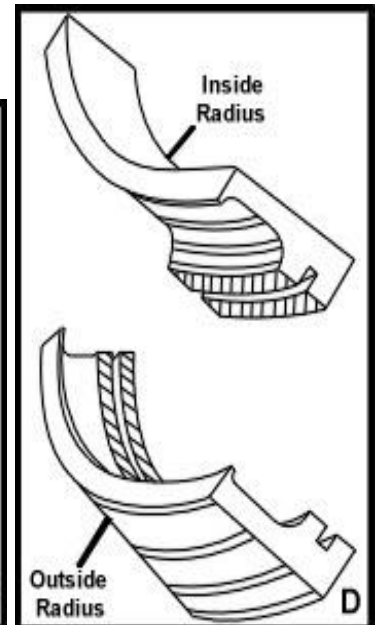
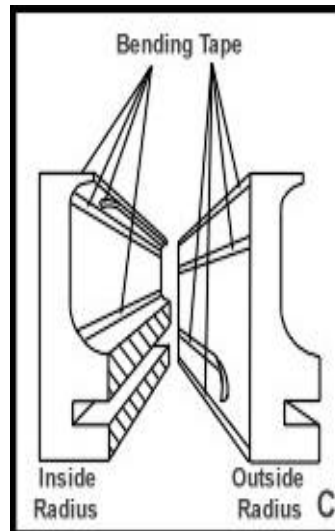
2. Setting the Form

- DO NOT set forms until the day of the pour.
- Tile MUST be dry and free of dust.
- Remove the brown paper from the double-faced tape.
- Stick forms to the tile, placing the lower radius even with the top of the tile. (See fig. E.)
- Sharp corners may be mitered with a sharp knife.
- Forms should be spaced using center portion for tight radii.

3. Pre-Bending the Form

It may be necessary to pre-bend the form on radii less than 48 inches.

- Place strips of bending tape on the form as shown in figure C. Be sure the tape is rubbed down tight for proper adhesion.
- Pre-bend the form across your knee before removing the paper from the double-faced tape. (See fig. D.)



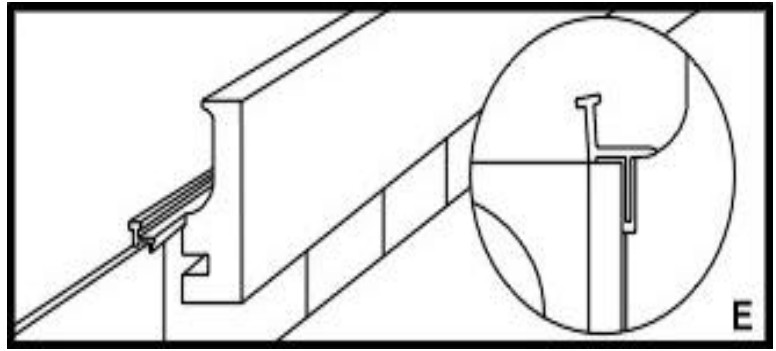
The Principle to Remember:

Bending tape is used to prevent the form from breaking on one side while allowing you to compress the other.

4. Placing the Tile Strip

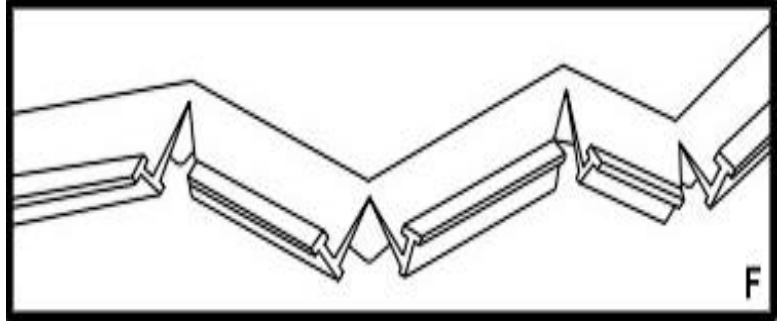
- Press tile strip into the slot provided between the tile and form. (See fig. E.)

Place # 15 LB roofing paper on top of the bond beam. This serves as an excellent cold joint material preventing adhesion between the top of the bond beam and the over-pour. (See Fig. B.)



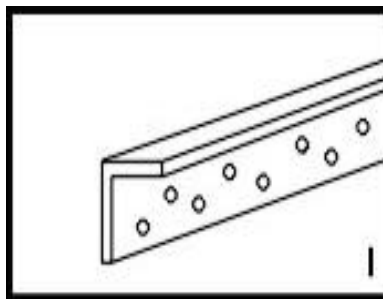
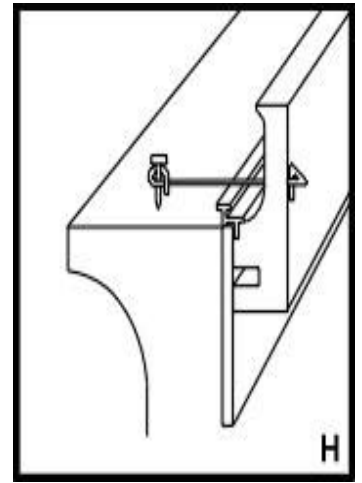
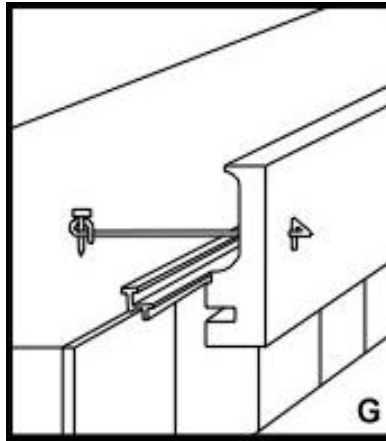
Helpful Hints to Remember

- On square corners and tight radii, it may be helpful to notch the back of the tile strip to allow for bending. (See fig. F.)
- Pruning shears are a useful tool for notching the tile strip.



5. Application of Tie Wires

- Secure the form with tie-wires 14 inches on center, pushing the wire through the form. This technique braces the formwork to the tile, using the tile strip to apply a slightly upward pressure.
- Drive nails into the bond beam approximately 8 inches behind the tile. Secure tie-wires with a turn around the nail while applying slight pressure against the form. (See fig. G.)
- Secure the form, tile strip and tie-wires as you progress around the perimeter of the pool.
- DO NOT pre-grout the form.
- For ease of removal when stripping forms, pull E-Z Strip tapes. The continuous filament tape now allows the form to be removed in one section.
- To hold straight sections true, it may be helpful to use metal corner strips (plaster board corner bead). Push tie-wires through both the corner strip and form and secure to the concrete nail as described above. (See figs. H. and I.)



Handy Tip: Push tie wires through the form, from the face side first, this allows you to get correct elevation for the wires.

Please Note:

The aluminum tie wires have been prescored for your convenience. When removing the formwork, a Twist of the pigtail severs the tie-wire below the surface. (See fig. J.)

