



ASSEMBLY INSTRUCTIONS

ROUND POOL

MODEL F

Dear Customer

Congratulations! You have purchased a pool of superior quality and durability. To achieve the best possible results, follow the instructions carefully. Failure to follow the installation procedures may result in damage to your pool or property and void your warranty. We recommend that you make a preliminary study of the instruction booklet to familiarize yourself with the different parts of your pool. Make sure that you understand each step thoroughly before you begin assembling.

We wish you a most pleasant and refreshing summer.

We strongly recommend having your pool installed by a professional.

WARNING: Be sure you have read and understand the “Safety Information” sheets before you begin your pool installation.

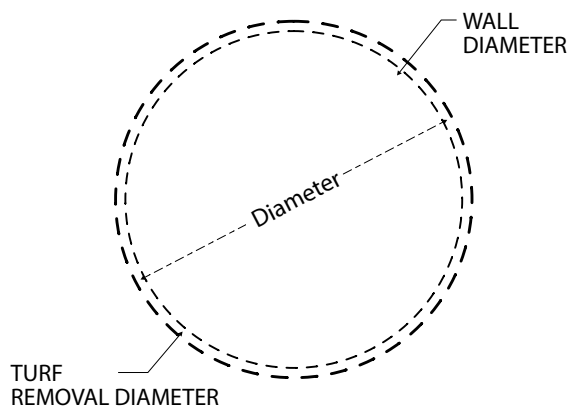


WARNING: For your safety, your pool is not designed for diving and/or jumping head first. Please do not dive. Diving may result in permanent injury or death.

1

SITE PREPARATION

When selecting a site for your pool, take into account city by-laws regarding fences and utilities laws pertaining to electrical cables, as well as the landscaping which you are planning once the pool is installed.

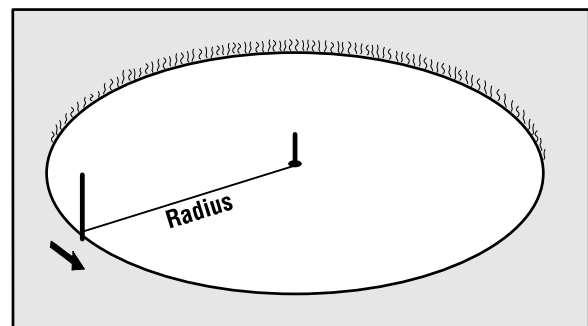


Drive a stake into the ground at the center of the site. Using a measuring tape, draw a circle 15 cm to 20 cm (6" to 8") longer in radius than the pool, depending on the width of the uprights (See Illustration 1.1).

Remove all grass from the area which you have just outlined.

Make sure to order the required quantity of sand and stone dust (See Chart).

Illustration 1.1



1

SITE PREPARATION (continued)

Chart 1.1

TRUE WALL DIAMETER	TRUE POOL RADIUS	MODEL	TURF REMOVAL		NECESSARY MATERIALS *	
			RADIUS	DIAMETER	SAND	STONE DUST
3,04 m (9' 11-3/4")	1,52 m (4' 11-7/8")	10'	1,73 m (5' 8")	3,45 m (11' 4")	3/4 tonne	1/4 tonne
3,69 m (12' 1-1/8")	1,85m (6' 0-7/8")	12'	2,03 m (6' 8")	4,06 m (13' 4")	1 tonne	1/3 tonne
4,58 m (15' 1/8")	2,29 m (7' 6-1/8")	15'	2,50 m (8' 2")	5,00 m (16' 4")	1 1/4 tonne	1/2 tonne
5,43 m (17' 9-7/8")	2,72 m (8' 11-1/16")	18'	2,95 m (9' 8")	5,90 m (19' 4")	1 1/2 tonne	3/4 tonne
6,37 m (20' 10-3/4")	3,18 m (10' 5-3/8")	21'	3,40 m (11' 2")	6,80 m (22' 4")	1 3/4 tonne	1 tonne
7,29 m (23' 10-3/4")	3,64 m (11' 11-1/4")	24'	3,85 m (12' 8")	7,70 m (25' 4")	2 tonnes	1 1/2 tonne
8,19 m (26' 10-1/2")	4,09 m (13' 5-1/16")	27'	4,30 m (14' 2")	8,60 m (28' 4")	2 1/4 tonnes	1 3/4 tonne
9,10 m (29' 10-1/2")	4,55 m (14' 11-1/8")	30'	4,75 m (15' 8")	9,5 m (31' 4")	2 1/2 tonnes	2 tonne
10,01 m (32' 10")	5,00 m (16' 4-7/8")	33'	5,23 m (17' 2")	10,45 m (34' 4")	2 3/4 tonnes	2 1/2 tonne

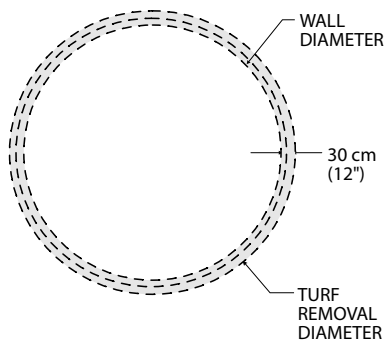
* If you use only sand, add stone dust tonnage to sand.

2

SITE LEVELLING

Level the edge of the circle, from the turf removal line up to 30 cm (12") within the circle.

To do this, use a carpenter's level set on a large straight beam, a rope or an optical level.



Carefully pack the soil using a tampering tool or vibrating plate (See Illustrations 2.1 and 2.2), especially those areas where a large quantity of soil was added.

It is also highly recommended to firm up the edge by adding a 2 cm (3/4") layer of stone dust (or sand).

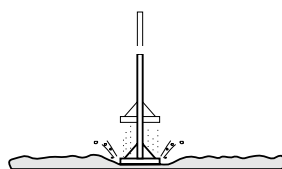


Illustration 2.1

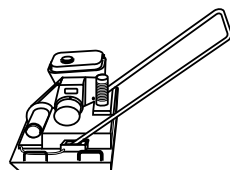


Illustration 2.2

Optional

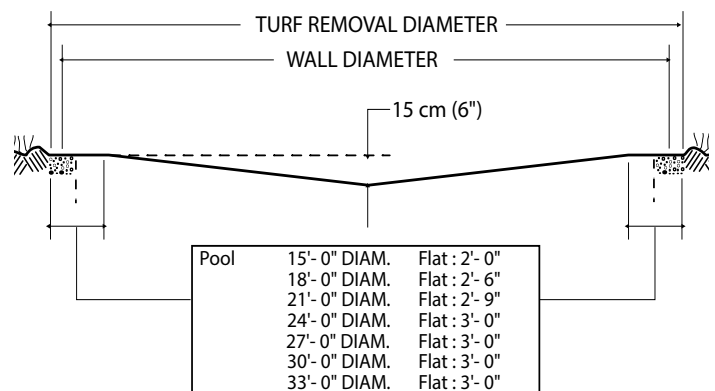
The center of the circle can then be excavated at the desired depth, not to exceed 15 cm (6") for a standard liner (See Illustration 2.3).

Remove any stone, pieces of wood or other debris from within the circle. Flatten any protrusion and pack the soil tightly. Spread the area with salt to prevent roots from growing back and to eliminate earthworms. Spread also ant repellent; all causes of post-installation cracking.

To protect the liner, cover with a think 2 cm (3/4") layer of compacting sand.

Make sure you add a sufficient quantity of sand to the base finishing inside the circle (See Step 6).

Illustration 2.3



3

BOTTOM DRAIN ASSEMBLY (if applicable)

Dig a hole 30 cm (12") wide by approximately 25 cm (10") deep in the center of the circumference.

From the center hole to the projected location of the pool motor, dig a 15 cm (6") wide trench. Place the removed soil aside to be used later to cover the hose.

Bottom Drain Assembly

Place teflon around the threaded plug. Screw in drain holes using large pliers. Glue the connector in the appropriate opening.

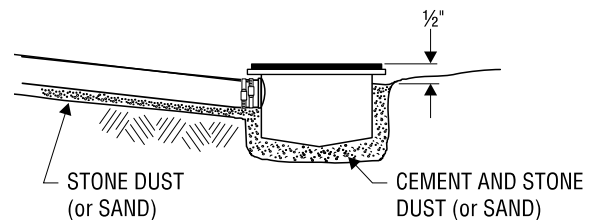
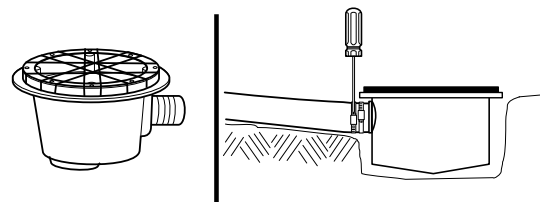
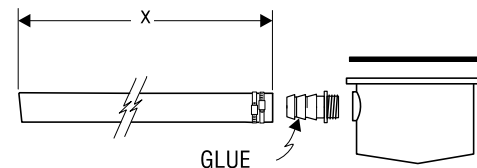
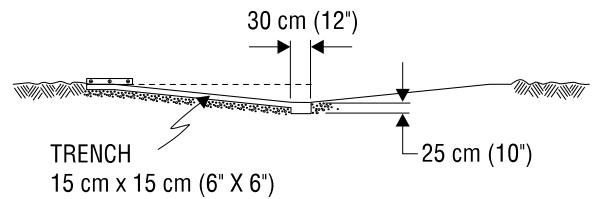
Take one of the two rubber rings and adjust it to the top of the drain, aligning the holes carefully. Secure with strips of adhesive tape to prevent sand from penetrating inside the holes once the drain has been installed.

Secure one end of the long black or white hose inside the drain spout. First apply glue on the drain spout and inside the drain end, then secure with one or two collars.

Cut the hose so that it ends with the stone dust (or sand). Measure the pool radius from the center of the drain, then add 15 cm (6").

Place the assembled bottom drain in the hole so that it is approximately 1.3cm (1/2") higher than the surface soil. Bury the hose, levelling the drain as much as possible. Compact the soil, using your feet and a tampering tool as well.

Mix three (3) shovels of stone or sand dust with one half shovel of pure cement, adding a small quantity of water, then pour the cement around the drain until it reaches 1.3 cm (1/2") from the top.



4

BOTTOM TRACKS ASSEMBLY

Insert the bottom tracks on each side of the bottom plate. Evenly space the ends of both bottom tracks in the center of the bottom plate. (See Illustration 4.1).

Make a complete circle, using half of the bottom tracks and bottom plates found in the pool kit (See Chart and Illustration 4.2).

Illustration 4.1

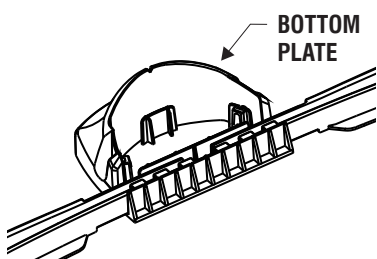
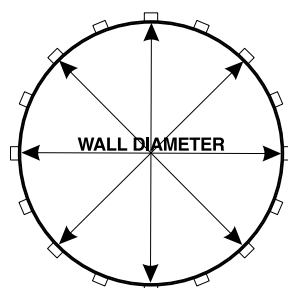


Illustration 4.2



Chart

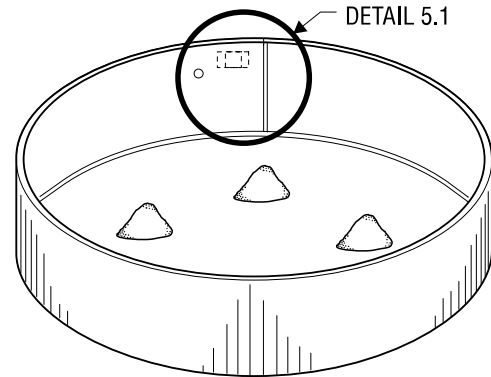
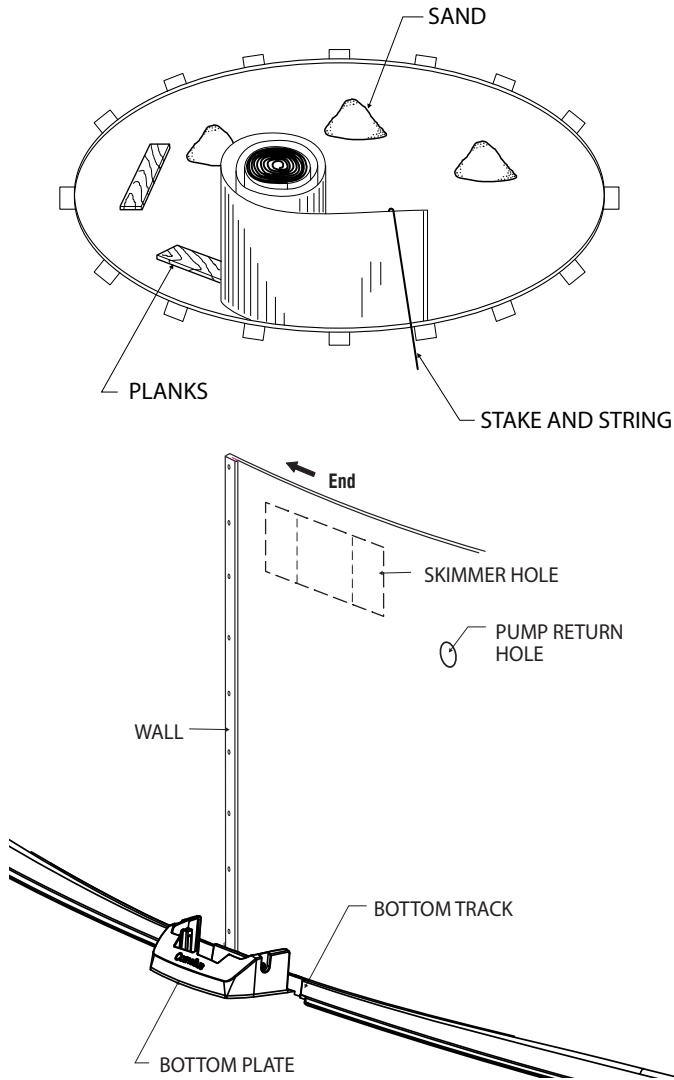
POOL DIAMETER	NUMBER OF TRACKS	NUMBER OF PLATES
3,05 m (10')	8	8
3,66 m (12')	10	10
4,57 m (15')	10	10
5,48 m (18')	12	12
6,40 m (21')	14	14
7,31 m (24')	16	16
8,22 m (27')	18	18
9,14 m (30')	20	20
10,06 m (33')	22	22

5

WALL INSTALLATION

Add sand. Before uncoiling the wall, make sure the pre-punched holes for the skimmer and pump return are at the top and facing the planned location of your filter. **When installing the steel wall, it is important to do so in a location protected from the wind or on a day without any wind.**

Begin inserting the wall into the bottom tracks in the middle of a bottom plate. At first, the wall is kept in place with one or two stakes and strings (or extra persons). One person uncoils the wall on a beam or a plank, while a second person inserts it in the bottom tracks. Do not uncoil more than 3 m (10') of wall before you install a support bar or stake and string to reinforce the structure.



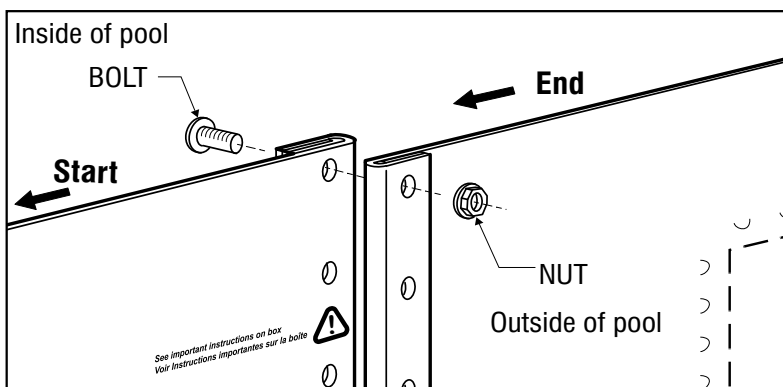
Once the wall is completely uncoiled, you may find that it is too long or that both ends do not meet by a few centimetres. If such is the case, adjust tracks and bottom plates until wall holes line up. If this does not work, roll up the wall again, check measurements as per chart 1.1, adjust tracks and plates, if applicable, and uncoil the wall again. If the spread is too wide, measure the wall and check it against the chart below.

Join both ends of the wall by orienting folds outward to hide the exclamation icon. (Illustration 8.1)

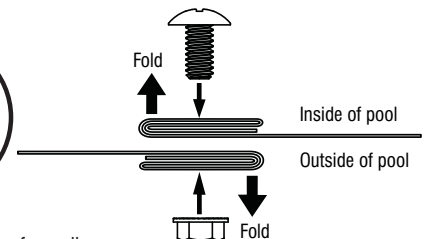
Note: If the wall is attached properly, you should no longer see the exclamation icon. If you can always see the icon, you must reverse the overlap.

Insert bolts and nuts in every hole and tighten with wrench (screw head on water side of wall). Tape over screw heads with duck tape.

Illustration 5.1



Do not use impact gun for wall screws.
Minimum torque force of 60 inch pounds to maximum of 85 inch pounds.



IMPORTANT! Installing the wall joint in non-compliance with the specifications dictated by the manufacturer will void the warranty. A faulty installation will cause the wall/joint to split which could result in serious and/or fatal injuries!

5

WALL INSTALLATION (continued)

Chart

POOL DIAMETER	ACTUAL LENGTH OF WALL
3,05 m (10')	9,55 m (31' 4")
3,66 m (12')	11,58 m (38')
4,57 m (15')	14,38 m (47' 2")
5,48 m (18')	17,07 m (56')
6,40 m (21')	20,02 m (65' 8")
7,31 m (24')	22,89 m (75' 1")
8,22 m (27')	25,73 m (84' 5")
9,14 m (30')	28,60 m (93' 10")
10,06 m (33')	31,45 m (103' 2")

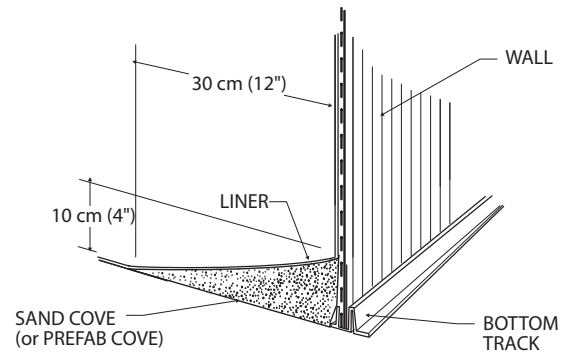
6

SAND BASE FINISHING

You can now spread approximately 10 cm (4") of compacting sand all around the inside base of the wall in order to protect the liner from the cutting edges of the bottom wall tracks and the stone dust (if applicable), or install a prefabricated cove if available.

SAND BASE FINISHING

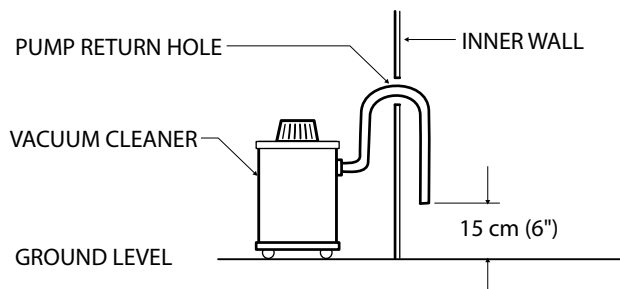
Level finishing sand one last time. Make sure that any sharp stones, debris or roots have been removed from the surface. For better protection, spray sand with water and pack it once more until the base is nicely even.



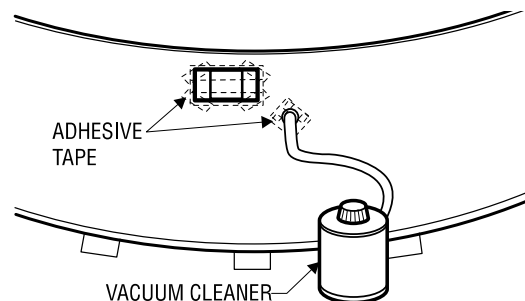
7

VINYL LINER INSTALLATION

Before pulling the liner up against the wall, insert a vacuum cleaner hose down into the pump return hole to approximately 15 cm (6") from the ground.



Maintain the hose in place with adhesive tape. Don't forget to block the skimmer hole with adhesive tape to prevent air from leaking in.

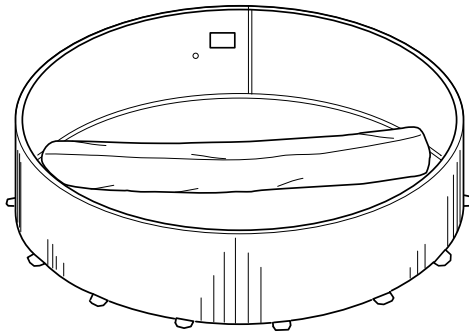


Place the unfolded liner in the center of the pool area at right angles with the skimmer hole. Make sure you wear light, flat-soled shoes to walk on the sand as the slightest heel mark could be visible once the pool is filled.

Carefully unfold the liner, bringing the bottom-sidewall seam close to the wall base. Make sure that the side with the protruding seams faces downward or that the patterned side faces upward.

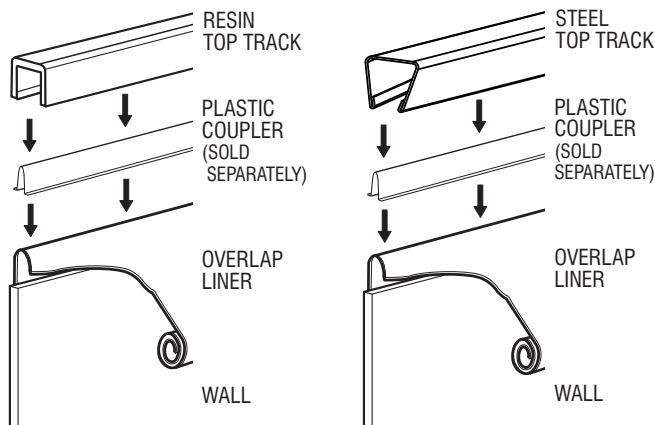
7

VINYL LINER INSTALLATION (continued)



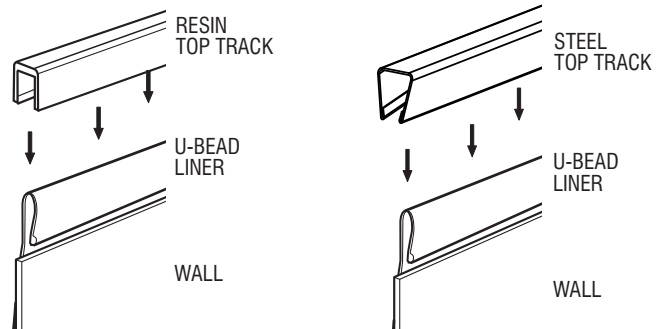
Lift up a section of the liner over the top of the wall leaving a 10 cm to 15 cm (4" to 6") fringe outside the wall. Secure the liner with a plastic coupler (sold separately). Install the top track on the wall then install the top plates on top of each upright.

At this point, the liner may be too tight, making it difficult to drape the overlap or, on the contrary, too loose. In such cases, you will have to redistribute the tension in the liner by removing some of the couplers and readjusting the liner.



Installation detail of a bead liner with top track.

Hang the liner on the top of the wall and install the top track to secure.



Start the vacuum cleaner to allow the liner to adhere to the wall and check for excess tension at the bottom or for wrinkles. Adjust the liner by removing wrinkles if needed, lift or lower it in order to ensure a perfect fit.

Fill the pool with water up to the base of the wall before stopping and removing the vacuum cleaner.

PUMP RETURN FITTING

After you remove the vacuum cleaner, you may install the return fitting. Place the return fitting ring against the liner and adjust it so that it is perfectly aligned with the hole in the wall. When the ring is properly positioned and secured, cut the liner in the middle of the ring.

Insert the return fitting from the inside, placing the first gasket between the return fitting and the liner and the second between the wall and the liner. Then tighten the outside ring with large pliers, taking care not to crease the liner.

BOTTOM DRAIN (optional)

Find the holes through the middle of the liner and screw the ring and gasket in against the liner before cutting the liner in the middle of the ring, then screw on the drain cover.

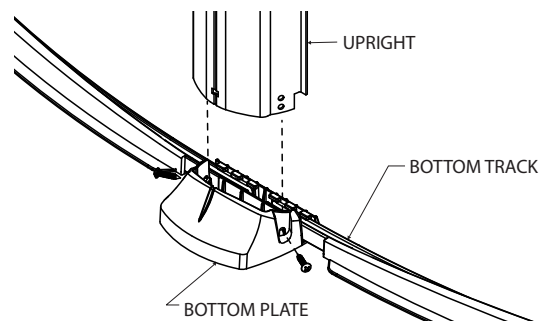
8

UPRIGHT POST INSTALLATION

Clip the uprights to the bottom plates.
Make sure the upright is well snapped into the bottom plate.

For models with screw; secure the uprights in place using two (2) screws "Z".

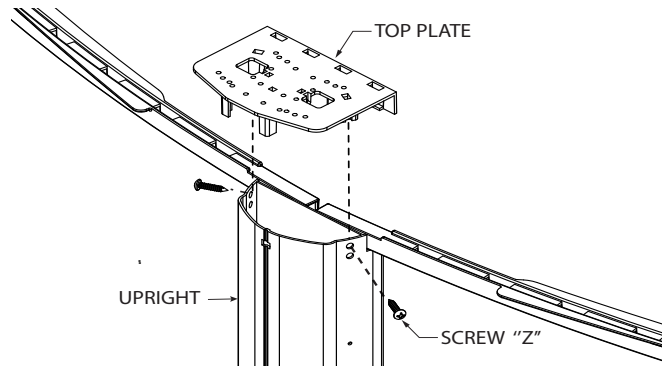
Uprights must be installed inside the bottom plate..



9

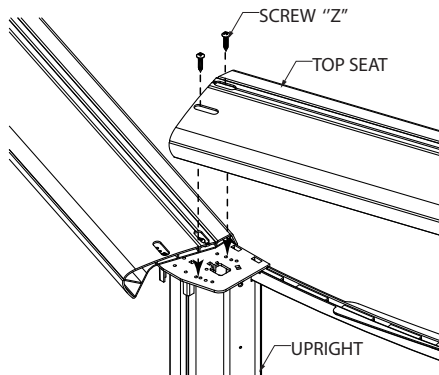
TOP PLATE INSTALLATION

Install the top plate into the upright, in the round and straight section, and secure with two (2) screws "Z" on each side.



10

TOP SEAT INSTALLATION



Place the top seats on the top of the uprights. Center the top seat between the two the uprights and be certain to evenly distribute the ledges all around.

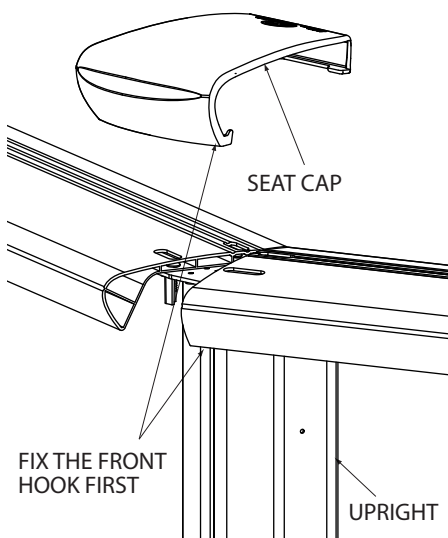
Be sure to have a vertical (plumb) upright before fixing the top seat.

Secure the top seat in place using four (4) screws "Z" .

11

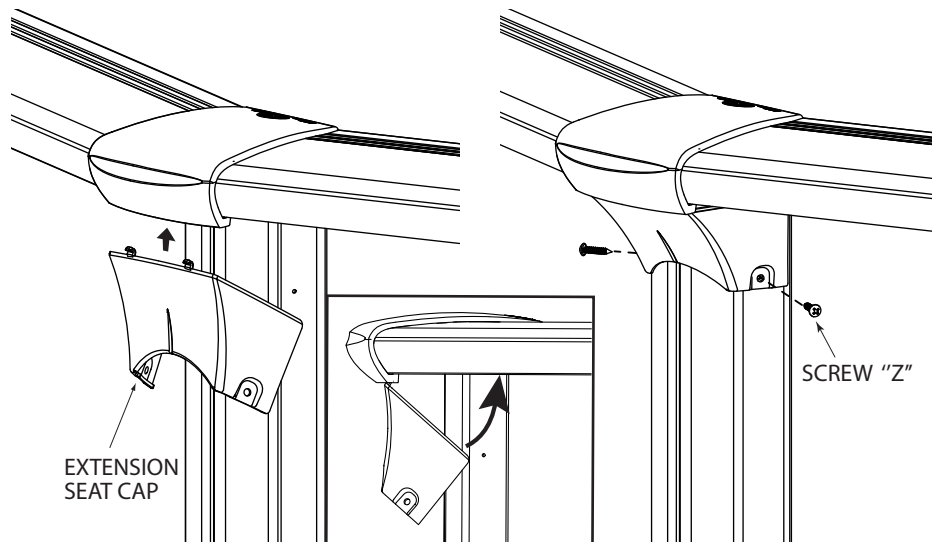
SEAT CAP INSTALLATION

Snap the seat cap starting outside the top seat. Then snap the other side inside the top seat.



Snap the two front hooks of the seat cap extension in the two holes under the seat cap.

Secure the seat cap extension in place using two (2) screws "Z" .



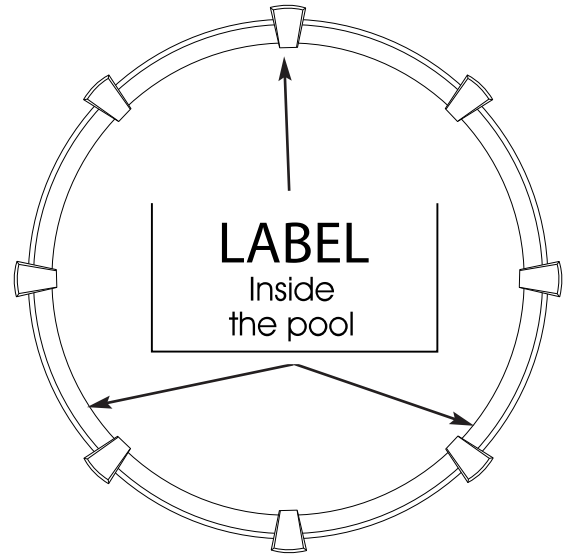
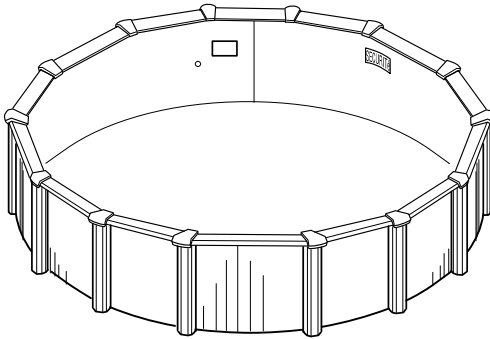
13

SECURITY LABELS INSTALLATION

Install the four (4) safety labels (DANGER) supplied with your pool as follows: two (2) labels visible at the entrance to the pool and two (2) visible at the main access of the backyard.

Important: if you require additional labels, please contact us at Citadelpools.com

Install a minimum of three (3) safety labels (supplied with the liner) inside the pool so that at least one label is visible no matter where the bather enters the water (see drawing for positioning)



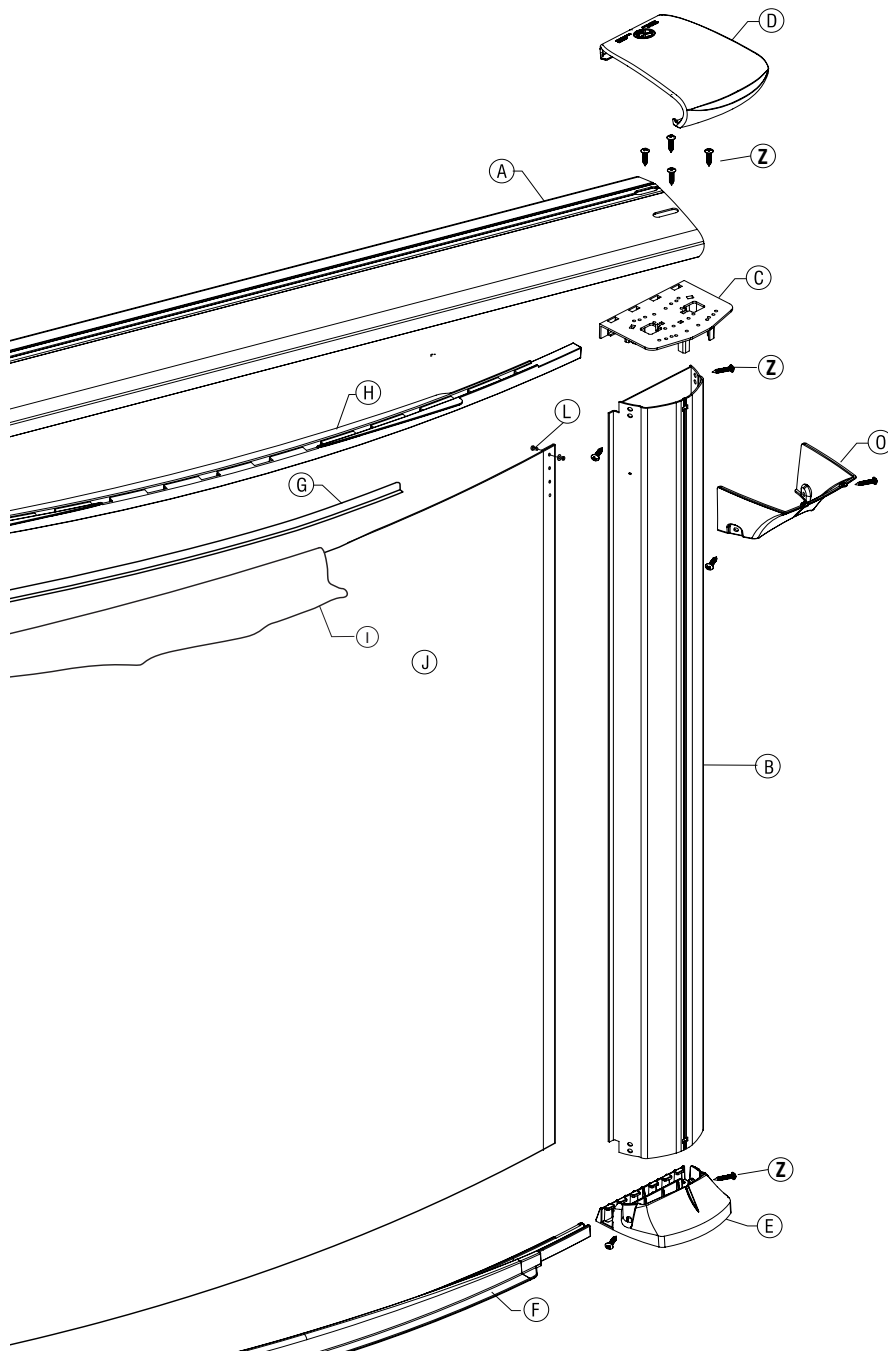
14

FILTRATION SYSTEM ASSEMBLY

Assemble skimmer, inlet, drain, filter, pumps, hoses according to separate manufacturer's instructions.

Note: See 'Safety Information' Manual.

ARTICLE	DESCRIPTION	10'	12'	15'	18'	21'	24'	27'	30'	33'
A	Top seat	8	10	10	12	14	16	18	20	22
B	Upright	8	10	10	12	14	16	18	20	22
C	Top plate	8	10	10	12	14	16	18	20	22
D	Seat cap	8	10	10	12	14	16	18	20	22
O	Cap extension	8	10	10	12	14	16	18	20	22
E	Bottom plate	8	10	10	12	14	16	18	20	22
F	Bottom track	8	10	10	12	14	16	18	20	22
G	Plastic coupler (sold serarately)	8	10	10	12	14	16	18	20	22
H	Top track	8	10	10	12	14	16	18	20	22
I	Pool liner	1	1	1	1	1	1	1	1	1
J	Pool wall	9,55 m (31' 4")	11,58 m (38')	14,38 m (47' 2")	17,07 m (56')	20,02 m (65' 8")	22,89 m (75' 1")	25,73 m (84' 5")	28,60 m (93' 1")	31,45 m (103' 2")
Z	Screw #14 x 1"	64	80	80	96	112	128	144	160	176
L	Bolt - nut (for 52") for wall	25 (29)	25 (29)	25 (29)	25 (29)	25 (29)	25 (29)	25 (29)	25 (29)	25 (29)
M	Drain Kit (if applicable)	1	1	1	1	1	1	1	1	1



SAFETY AND FUN GO TOGETHER!

SAFETY INFORMATION

Read this before installing your above-ground pool.



12 775, Brault Street, Mirabel, Quebec, Canada J7J 0C4
Phone: 1 800 448-7384
Fax: 1 866 777-0167

GENERAL INFORMATION

The pool is subject to wear and deterioration if not maintained properly. Certain types of excessive or accelerated deterioration can lead to failure of the pool's structure, which may release large quantities of water that could cause bodily harm, death and property damages.

In order to ensure proper water drainage around the pool, a 2-degree slope needs to be erected around the perimeter of the pool. THE MANUFACTURER WILL NOT BE HELD RESPONSIBLE FOR ANY LIABILITY SHOULD THIS STEP BE OMITTED.

Before installing your pool, you should check local regulations such as building codes, zoning requirements and electrical codes to determine whether a building permit or electricity permit is required to install your pool. Local regulations may ask you to make sure your backyard meets set-back requirements, install gates, barriers or other safety devices, or meet other conditions.

WARNING: All pool components, such as the filtration system, pump and heater and other objects, should be positioned so that people cannot use them to gain access to the pool or the deck. Positioning such objects too close to the pool may allow people access to the pool while unattended and may cause them serious injury or death.

We strongly recommend having your pool installed by a professional. We are not responsible for faulty installation of the pool, we are not affiliated with any pool installer and assume no responsibility or liability for the purchaser's or a professional installer's errors in installing your pool. **NO DIVING, NO JUMPING and PREVENT DROWNING** stickers are provided with your pool. These stickers must be affixed to the interior of the pool above the water line, or any place where the pool users can see them clearly before entering the pool. If you need more stickers or if some are missing, you can order these at www.citadelpools.com/contact or by calling 1 800 448-7384.

Although we do not manufacture pool ladders, every pool must have an ANSI APPROVED pool ladder for proper entering and exiting of the pool. The proper use of the pool ladder by pool users is an integral part of general pool safety (Please refer to your pool ladder safety instructions).

SAFETY EQUIPMENT

For your protection and for the safety of others, we recommend that lifesaving equipment be on hand near the pool at all times.

We recommend that you purchase one of the following:

A light, strong and rigid pole, frequently referred to as a Shepard's Crook, at least twelve feet long or a throwing rope at least ¼ inch in diameter and as long as 1.5 times the maximum width or diameter of your pool. The rope should be firmly attached to a coast guard-approved buoy with an outside diameter of approximately 15 inches.

LADDER SAFETY

Although we do not manufacture ladders, the proper use of the ladder by pool users is an integral part of general pool safety.

NSPI standards require all pools to have an approved ladder attached for proper access to and from the pool. The purchaser should follow the pool ladder manufacturer's installation instructions.

Please follow these rules regarding the use of the ladder:

- Only one person on the ladder at a time.
- The user should face the ladder whether going in or out of the pool.
- **NO DIVING or JUMPING** from the ladder steps or the ladder's platform.
- Check all nuts and bolts regularly to make sure the ladder is safe.
- Inform others of the rules pertaining to the use of ladder and steps.

USAGE SAFETY INFORMATION

- 1** • Share safety instructions with family, friends, pool watchers or neighbors.
- 2** • The installer of the vinyl liner shall affix on the original or replacement liner, or on the pool structure, all safety signs in accordance with the manufacturer's instructions. The safety labels shall be placed above the water line.
- 3** • Never dive, jump or slide into an above ground swimming pool. Diving, jumping or sliding may result in permanent injury or death. Use a pool ladder or step to enter the pool smoothly, feet first. The owner must follow the ladder manufacturer's instruction and safety warning.
- 4** • Never swim alone.
- 5** • Don't enter the pool if you have been using alcohol or drugs, because your reaction time may be too slow.
- 6** • Adult supervision is always necessary. Never take your eyes off children or swimmers in the water or near the pool, not even for a minute. Designate an adult "pool watcher". Make sure that you or your pool watcher are able to intervene in less than 10 seconds to save a life or avoid injury.
- 7** • If a child is missing; always look in the pool first.
- 8** • Be proactive to prevent death or disability.
- 9** • The pool owner or "pool watcher" should learn CPR (CardioPulmonary Resuscitation) and should teach children and other people how to swim.
- 10** • Winter or solar covers are not intended to act as safety barriers. The cover must be completely removed when the pool is in use. A person may become trapped under a pool cover, which may result in severe bodily injuries, including death.
- 11** • Keep rescue equipment such as life rings and reaching poles etc, by the pool. Please consult you municipality to get a rescue equipment list.
- 12** • An emergency phone number such as: nearest available police, fire, ambulance and/or rescue unit, must be visible from pool area. A functioning and/or cellular phone must be reachable within 10 seconds.
- 13** • Avoid entrapments. Suction from a pool drain or skimmer can trap an adult or children underwater:
 - Hair can get caught in faulty drain cover.
 - Arms, legs and fingers can become lodged in a suction opening.
 - Any body part that can cover a drain can cause injuries.
 - Jewelry or bathing suits can become entangled in a faulty drain cove.A pool with broken, loose, missing or non compliant drain cover should be considered as dangerous and should not be used.
- 14** • Lighting, when installed, shall be in concordance with the National Electrical Code.
- 15** • During nighttime pool use, artificial lighting must be used to illuminate pool, all safety signs, ladders, steps, deck surface and walkways.
- 16** • All electrical appliances must be kept away from the pool, and not be reachable by pool users.
- 17** • The pool deck should be kept clean and clear of objects to avoid tripping or slipping. The deck should have a non-slip surface.
- 18** • Do not sit, dive, climb or stand on the top rails of the pool.
- 19** • It is important that all users be able to see the bottom of the pool. Foggy water must be cleared up before entering the pool.
- 20** • Steps and pool ladders should be secured and locked or removed when the pool is not in use. Swimming pool barriers or fences with self-latching and self-closing gates which prohibit children or other people from gaining access to the pool must be installed around the pool to avoid injury or death. The latch should be out of reach of children. Consult your municipality for more details and specifications.



INSTRUCTIONS D'ASSEMBLAGE PISCINES RONDES MODÈLE F

Cher(e) client(e),

Félicitations, vous avez fait l'acquisition d'une piscine d'une qualité et d'une durabilité supérieures. Suivez les instructions attentivement pour obtenir les meilleurs résultats possibles. Toute dérogation à la marche à suivre peut occasionner des dommages à votre piscine ou à votre propriété et annuler votre garantie. Nous vous suggérons de lire attentivement les instructions au préalable afin de vous familiariser avec les différentes pièces de votre piscine. Assurez-vous de bien comprendre toutes les étapes avant de commencer l'assemblage.

Nous vous souhaitons un été des plus agréable et rafraîchissant.

Nous recommandons fortement de faire installer votre piscine par un professionnel.

AVERTISSEMENT : Assurez-vous d'avoir lu le manuel " Information de sécurité " avant de commencer l'installation de votre piscine.

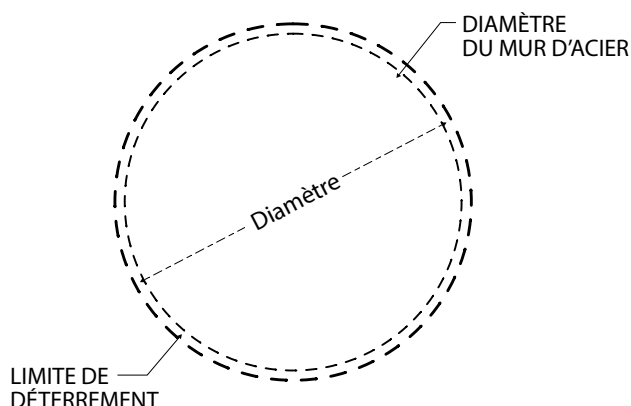


AVERTISSEMENT : Votre piscine n'est pas conçue pour le plongeon et/ou les sauts tête première. Pour votre sécurité, abstenez-vous de plonger car ceci pourrait causer de graves lésions ou entraîner la mort.

1

PRÉPARATION DE L'EMPLACEMENT

Choisissez l'emplacement idéal pour votre piscine en tenant compte des lois municipales sur la distance des clôtures, celles des services publics sur la distance des fils électriques, ainsi que de l'aménagement paysager prévu après l'installation.

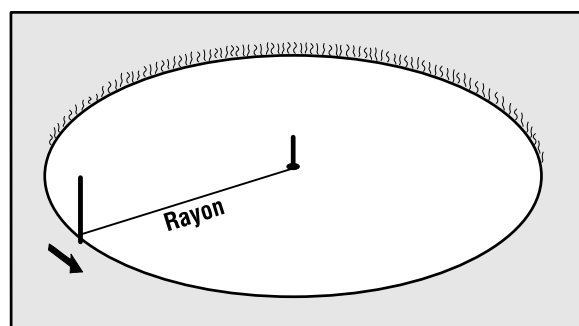


Plantez un pieu au centre de l'emplacement et, à l'aide d'un ruban à mesurer, tracez un cercle dont le rayon sera de 15 cm à 20 cm (6" à 8") de plus que celui du diamètre du mur d'acier. (voir illustration 1.1)

Enlevez la pelouse sur toute la surface délimitée par le cercle que vous venez de tracer.

Assurez-vous de commander la quantité nécessaire de sable et de poussière de roche. (Voir le tableau)

Illustration 1.1



1

PRÉPARATION DE L'EMPLACEMENT (suite)

Tableau 1.1

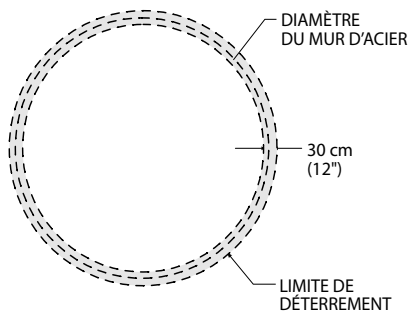
DIAMÈTRE RÉEL DU MUR D'ACIER	RAYON RÉEL DE PISCINE	MODÈLE	LIMITE DE DÉTERREMENT		MATÉRIAUX NÉCESSAIRES *	
			RAYON	DIAMÈTRE	SABLE	POUSSIÈRE DE ROCHE
3,04 m (9' 11-3/4")	1,52 m (4' 11-7/8")	10'	1,73 m (5' 8")	3,45 m (11' 4")	3/4 tonne	1/4 tonne
3,69 m (12' 1-1/8")	1,85 m (6' 0-7/8")	12'	2,03 m (6' 8")	4,06 m (13' 4")	1 tonne	1/3 tonne
4,58 m (15' 1/8")	2,29 m (7' 6-1/8")	15'	2,50 m (8' 2")	5,00 m (16' 4")	1 1/4 tonne	1/2 tonne
5,43 m (17' 9-7/8")	2,72 m (8' 11-1/16")	18'	2,95 m (9' 8")	5,90 m (19' 4")	1 1/2 tonne	3/4 tonne
6,37 m (20' 10-3/4")	3,18 m (10' 5-3/8")	21'	3,40 m (11' 2")	6,80 m (22' 4")	1 3/4 tonne	1 tonne
7,29 m (23' 10-3/4")	3,64 m (11' 11-1/4")	24'	3,85 m (12' 8")	7,70 m (25' 4")	2 tonnes	1 1/2 tonne
8,19 m (26' 10-1/2")	4,09 m (13' 5-1/16")	27'	4,30 m (14' 2")	8,60 m (28' 4")	2 1/4 tonnes	1 3/4 tonne
9,10 m (29' 10-1/2")	4,55 m (14' 11-1/8")	30'	4,75 m (15' 8")	9,5 m (31' 4")	2 1/2 tonnes	2 tonne
10,01 m (32' 10")	5,00 m (16' 4-7/8")	33'	5,23 m (17' 2")	10,45 m (34' 4")	2 3/4 tonnes	2 1/2 tonne

* Si vous n'utilisez que du sable, additionnez le tonnage de la poussière de roche à celui du sable.

2

NIVELLEMENT DU TERRAIN

Vous devez ensuite niveler le pourtour du cercle à partir de la limite de déterrement jusqu'à 30 cm (12") à l'intérieur du cercle.



Pour ce faire, utilisez un niveau de menuisier posé sur un grand madrier, un niveau à corde ou un niveau optique.

Compactez bien la terre à l'aide d'un pilon ou d'une plaque vibrante (voir les illustrations 2.1 et 2.2) surtout aux endroits où vous avez dû ajouter beaucoup de terre.

Il est également fortement recommandé de raffermir le pourtour au moyen d'une couche de poussière de roche (ou de sable) d'environ 2 cm (3/4").

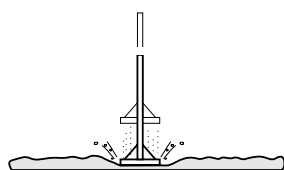


Illustration 2.1

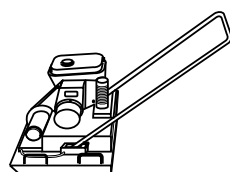


Illustration 2.2

Facultatif

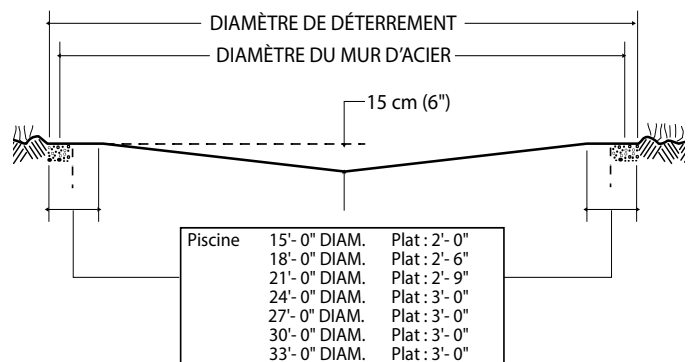
Le centre du cercle pourra par la suite être creusé à la profondeur désirée, n'excédant pas 15 cm (6") pour une toile standard (voir illustration 2.3).

Retirez les cailloux, les bouts de bois et autres débris se trouvant à l'intérieur du cercle. Éliminez toutes les petites buttes de terre et bien compactez. Étendez du sel. Il empêche les racines de pousser et éloigne les vers de terre. Étendez également de l'insecticide à fourmis. Ce sont toutes des sources de crevasses une fois l'installation terminée.

Ajoutez une mince couche de 2 cm (3/4") de sable à compactage afin de protéger la toile.

Assurez-vous d'ajouter une quantité suffisante de sable pour la finition du fond.

Illustration 2.3



3

INSTALLATION DU DRAIN DE FOND (optionnel)

Creusez un trou de 30 cm (12") de largeur par environ 25 cm (10") de profondeur en plein centre de la circonférence.

Creusez une tranchée d'environ 15 cm (6") de largeur à partir du trou central jusqu'à l'emplacement du moteur de la piscine. La terre retirée sera déposée à côté de la tranchée car elle servira à enterrer le tuyau.

Assemblage du drain

Placez du téflon autour du bouchon fileté et vissez-le dans le trou du drain. Collez le raccord dans l'ouverture prévue à cet effet.

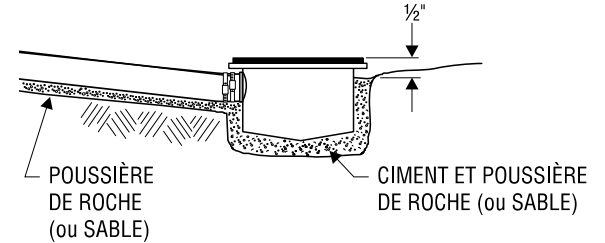
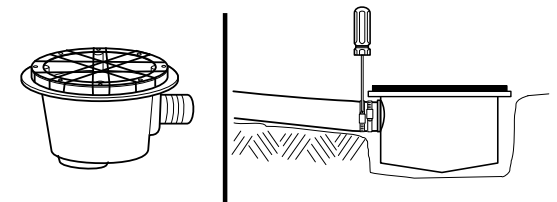
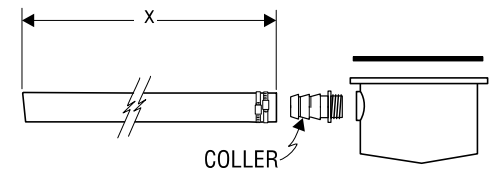
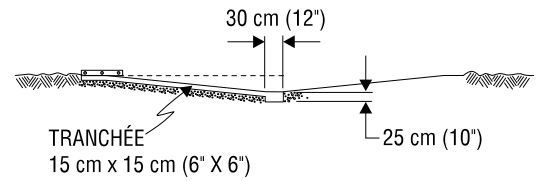
Prenez une des rondelles de caoutchouc et ajustez-la sur le dessus du drain en prenant bien soin d'aligner les trous. Fixez-la ensuite avec des lanières de ruban adhésif afin d'éviter que le sable ne pénètre dans les trous une fois le drain installé.

Fixez une des extrémités du long tuyau noir ou blanc dans l'embout du drain, en prenant soin au préalable d'appliquer de la colle sur l'embout du drain et à l'intérieur de l'extrémité du tuyau. Et, surtout, entourez-le d'un ou deux collets.

Coupez le tuyau de façon à ce qu'il se termine avec la fin de la poussière de roche ou de sable. On calcule le rayon de la piscine plus 15 cm (6") à partir du centre du drain.

Placez le drain de fond assemblé dans le trou de façon à ce qu'il soit environ 1,3 cm (1/2") plus haut que la terre de surface. Enterrez le tuyau en plaçant le drain le plus possible de niveau. Compactez avec les pieds et le pilon.

Mélangez trois pelletées de poussière de roche ou de sable avec une demi-pelletée de ciment pur et un peu d'eau et coulez ce ciment autour du drain jusqu'à 1,3 cm (1/2") sous le dessus du drain.



4

ASSEMBLAGE DES RAINURES DU BAS

Installez les rainures du bas de chaque côté des plaques du bas en allouant un espace égale entre l'extrémité de chacune d'entre elles, au centre de la plaque (voir l'illustration 4.1).

Assemblez les rainures du bas aux plaques du bas de façon à former un cercle parfait (voir le tableau et l'illustration 4.2).

Illustration 4.1

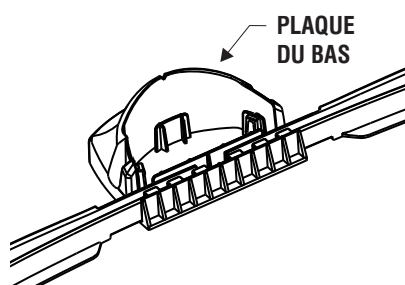
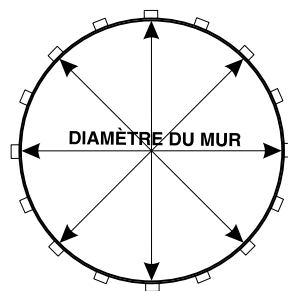


Illustration 4.2



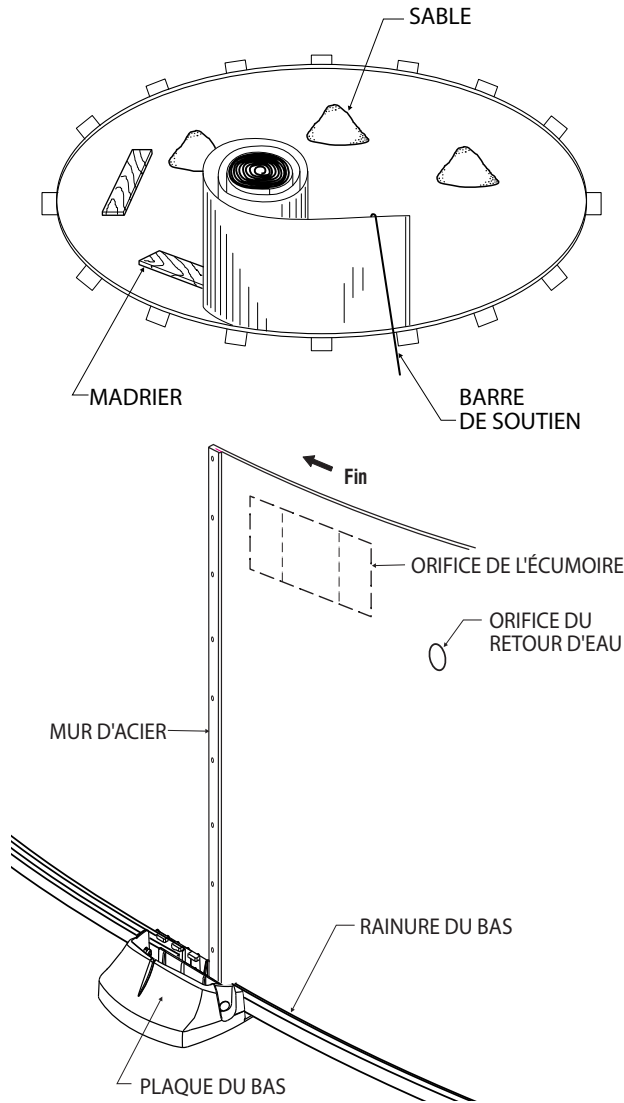
Tableau

DIAMÈTRE DE LA PISCINE	NOMBRE DE RAINURES	NOMBRE DE PLAQUES
3,05 m (10')	8	8
3,66 m (12')	10	10
4,57 m (15')	10	10
5,48 m (18')	12	12
6,40 m (21')	14	14
7,31 m (24')	16	16
8,22 m (27')	18	18
9,14 m (30')	20	20
10,06 m (33')	22	22

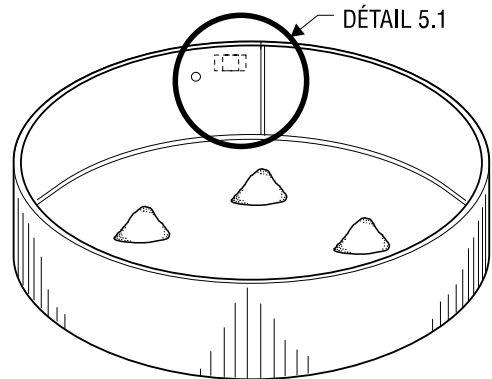
5

INSTALLATION DU MUR D'ACIER

Déversez le sable. Avant de dérouler le mur d'acier, assurez-vous que les orifices prévus pour l'écumoire et le retour d'eau se trouvent bien au haut du mur et face à l'endroit où se trouvera le filtreur. **Lors de l'installation du mur d'acier, il est important de le faire à un endroit protégé du vent ou lors d'une journée sans vent.**



En commençant au centre d'une plaque du bas, insérez le mur d'acier dans la rainure du bas en commençant au centre d'une plaque du bas. Au départ, une ou deux barres de soutien maintiennent le mur en place. Une personne déroule le mur d'acier sur un madrier ou une planche, tandis qu'une autre personne l'insère dans la rainure du bas. On ne doit pas dérouler plus de 3 m (10') sans mettre en place une barre de soutien pour renforcer la structure.



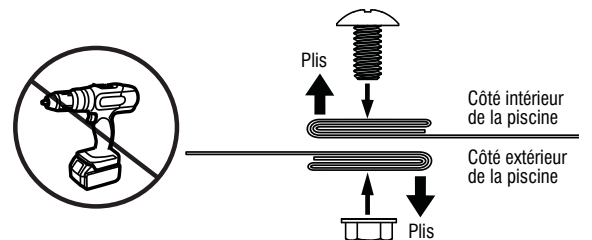
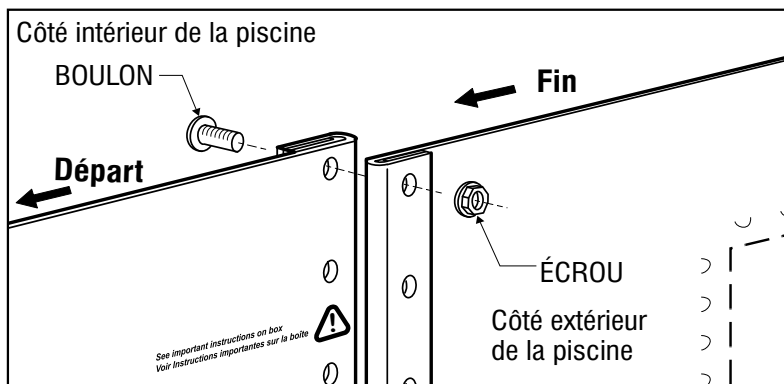
Une fois le déroulage terminé, il peut arriver que le mur d'acier soit trop long ou que les deux extrémités ne se rejoignent pas de quelques centimètres. Vous devez alors ajuster les rainures aux plaques pour que les trous des boulons du mur d'acier soient alignés. Si cela ne suffit pas, il vous faudra rouler le mur d'acier, révérier les mesures en vous référant au tableau 1.1, ajuster les rainures et les plaques s'il y a lieu et recommencer le déroulage. Si l'écart est trop grand, mesurez la longueur du mur d'acier et comparez-la au tableau ci-dessous.

Joindre les bouts du mur en orientant les plis vers l'extérieur de façon à cacher l'icône d'exclamation. (voir l'illustration 8.1)

Note: Si le mur est joint correctement, vous ne devriez plus voir l'icône d'exclamation. Si vous pouvez toujours voir l'icône, vous devez inverser le chevauchement.

Sécurisez-le avec la boulonnerie dans chaque trou et bien sécuriser avec une clé (la tête du boulon doit être à l'intérieur du mur d'acier). Placer un ruban adhésif en toile sur les têtes de vis.

Illustration 5.1



Ne pas utiliser de pistolet à chocs (impact gun) pour visser les vis à mur. Serrage minimum de 60 livres pouce et maximum de 85 livres pouce.

IMPORTANT! L'installation du joint de mur de façon non-conforme aux spécifications dictées par le fabricant annulera la garantie. De plus, une installation fautive causera la rupture du mur/joint ce qui pourrait entraîner des blessures graves et/ou même la mort!

5

INSTALLATION DU MUR D'ACIER (suite)

Tableau

DIAMÈTRE DE LA PISCINE	LONGUEUR RÉELLE DU MUR D'ACIER
3,05 m (10')	9,55 m (31' 4")
3,66 m (12')	11,58 m (38')
4,57 m (15')	14,38 m (47' 2")
5,48 m (18')	17,07 m (56')
6,40 m (21')	20,02 m (65' 8")
7,31 m (24')	22,89 m (75' 1")
8,22 m (27')	25,73 m (84' 5")
9,14 m (30')	28,60 m (93' 10")
10,06 m (33')	31,45 m (103' 2")

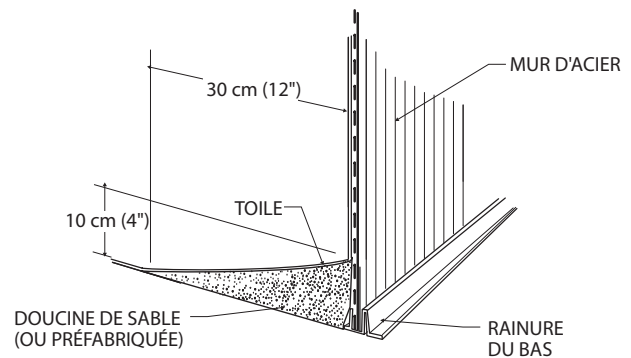
6

FINITION DU FOND

Étendez maintenant environ 10 cm (4") de sable à compactage au bas du mur intérieur de façon à former un remblai destiné à protéger la toile des extrémités coupantes des rainures inférieures et de la poussière de roche (si applicable). Ou bien, installez une doucine préfabriquée, si disponible.

FINITION DU FOND DE SABLE

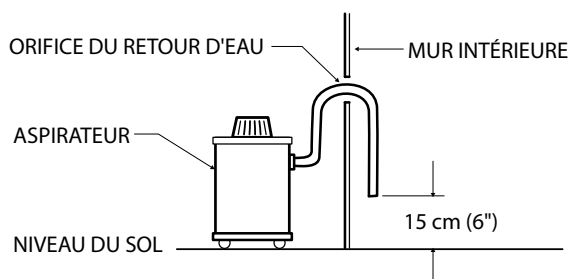
Égalisez une dernière fois le sable de finition. Assurez-vous qu'il ne subsiste en surface aucune roche coupante, débris ou racine. Pour une meilleure protection, arrosez le sable et tassez-le de nouveau jusqu'à ce que le fond soit bien lisse.



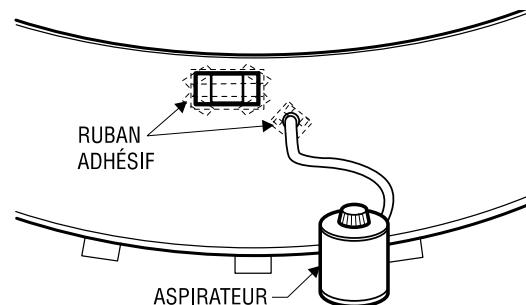
7

INSTALLATION DE LA TOILE DE VINYLE

Avant de placer la toile contre la paroi du mur d'acier, introduisez le boyau d'un aspirateur dans l'orifice du retour d'eau jusqu'à environ 15 cm (6") du sol.



Fixez le boyau en place à l'aide de ruban adhésif. Bouchez également l'orifice de l'écumoire avec du ruban adhésif afin d'éliminer les fuites d'air.

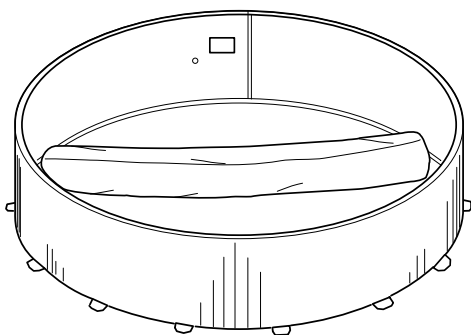


Déposez la toile pliée au centre de la piscine perpendiculaire à l'orifice de l'écumoire. Prenez soin de porter des chaussures légères à semelles plates pour vous déplacer sur le fond de sable car la moindre empreinte de talon pourrait être visible une fois la piscine remplie.

Dépliez délicatement la toile, amenant la bordure près de la base du mur. Assurez-vous que le côté rugueux de la toile soit dessous et que le côté avec motif soit sur le dessus.

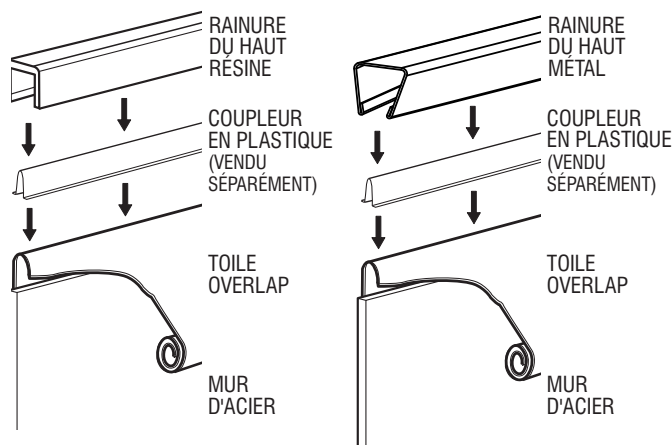
7

INSTALLATION DE LA TOILE DE VINYLE (SUITE)

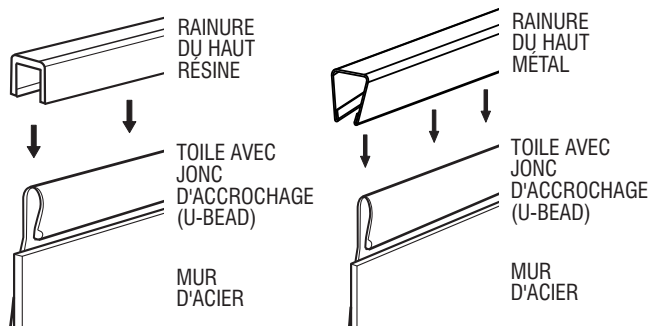


Amenez la toile par-dessus le sommet du mur en laissant excéder entre 10 cm à 15 cm (4" à 6") à l'extérieur du mur. Maintenez ensuite la toile en place, à l'aide d'un coupleur de plastique (pas inclus). Installez la rainure du haut sur le mur et installez la plaque du haut sur chacun des poteaux.

Vers la fin de cette étape, il peut arriver que la toile soit trop tendue et difficile à rabattre, ou qu'elle soit au contraire trop lâche. Vous devrez alors retirer certains coupleurs et ajuster de nouveau la toile afin de mieux répartir la tension.



Détail de l'installation de la toile avec jonc d'accrochage. Accrochez la toile sur le sommet du mur et installez la rainure du haut par dessus la toile.



L'aspirateur est ensuite mis en marche pour que la toile adhère à la paroi du mur. C'est à ce moment que vous verrez si elle est trop tendue dans le bas ou si elle est plissée à certains endroits. Ajustez la toile en enlevant au besoin des coupleurs pour la soulever ou pour l'abaisser afin de lui donner une forme parfaite. Finalement, vous pouvez introduire l'eau et la laisser monter jusqu'au bas du mur avant d'arrêter l'aspirateur et de le retirer.

RETOUR D'EAU

Vous pouvez installer le retour d'eau une fois l'aspirateur retiré. Placer l'anneau de retour d'eau contre la toile et ajustez-le de façon à ce qu'il soit parfaitement aligné avec le trou du mur.

Une fois l'anneau ajusté et maintenu en place coupez la toile au centre de l'anneau. Insérez le retour d'eau de l'intérieur en plaçant le premier joint entre le retour d'eau et la toile et le deuxième joint entre le mur et la toile. Ensuite, serrez l'anneau de l'extérieur avec de grosses pinces, en faisant attention de ne pas plisser la toile.

DRAIN DE FOND (optionnel)

Palpez le milieu de la toile afin de trouver les trous. Vissez ensuite l'anneau et son joint contre la toile avant de découper la toile du centre de l'anneau, puis vissez le couvercle du drain.

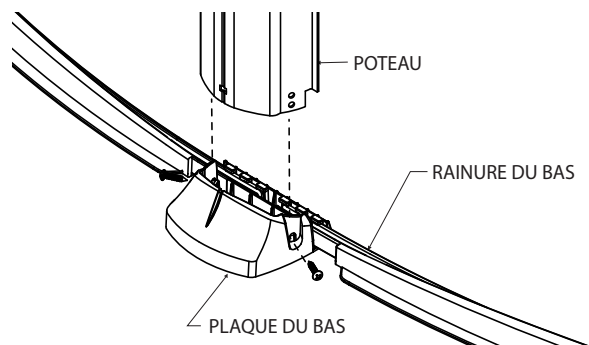
8

INSTALLATION DES POTEAUX

Enclenchez les poteaux de la section ronde sur les plaques du bas. Assurez-vous qu'ils sont bien accrochés.

Pour les modèles avec vis; maintenez les poteaux en place dans les plaques du bas à l'aide de deux (2) vis "Z".

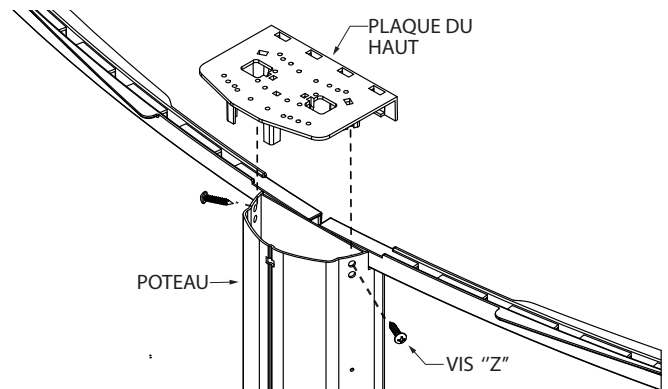
Il est à noter que les poteaux s'installent à l'intérieur de la plaque du bas.



9

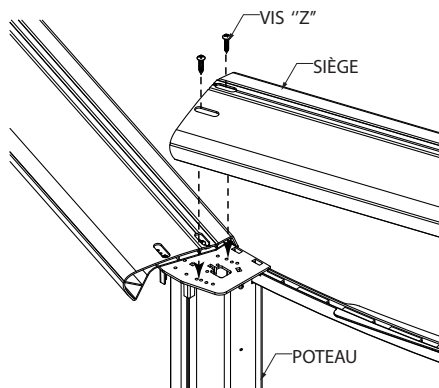
INSTALLATION DE LA PLAQUE DU HAUT

Déposez les plaques du haut sur les poteaux, et maintenez-les en place à l'aide de deux (2) vis "Z" de chaque côté.



10

INSTALLATION DES SIÈGES



Placez les sièges sur les parties supérieures des poteaux. Installez les sièges en vous assurant d'avoir un espace égal entre chacun.

Assurez-vous de vérifier la verticalité des poteaux avant de fixer les sièges.

Maintenez les sièges en place à l'aide de quatre (4) vis "Z".

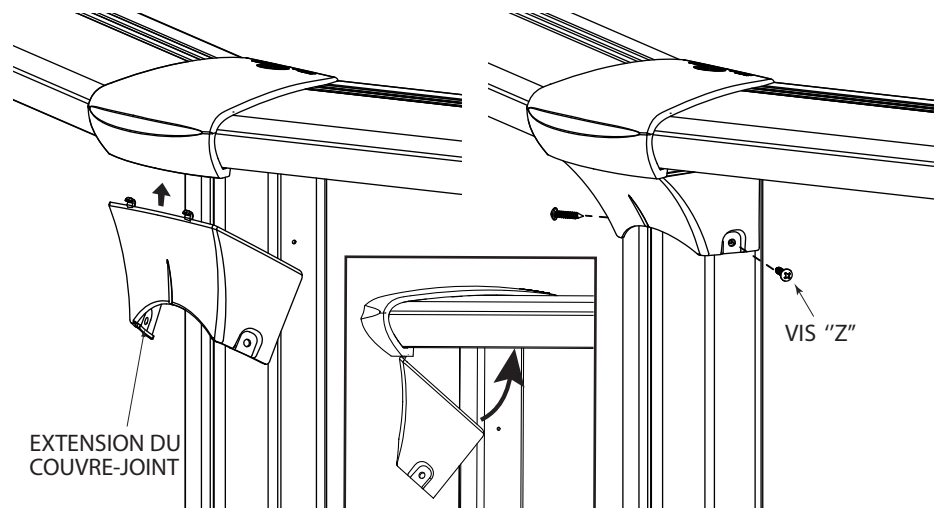
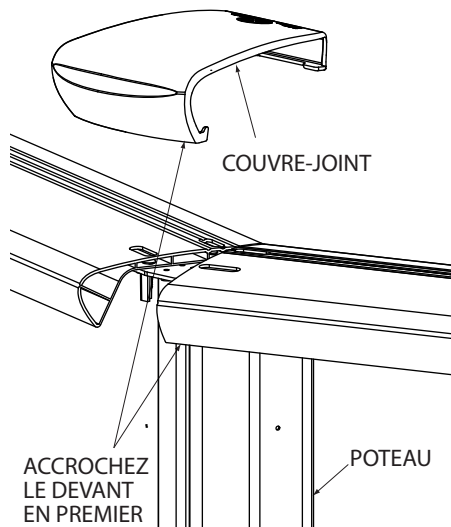
11

INSTALLATION DU COUVRE-JOINT

Accrochez le couvre-joint sur le rebord extérieur des sièges. Ensuite, enclenchez vers l'intérieur de la piscine.

Enclenchez les deux petits crochets de l'extension du couvre-joint dans les deux trous sous le devant du couvre-joint.

Pivotez l'extension sous les sièges et maintenez-la en place sur le poteau à l'aide de deux (2) vis "Z".

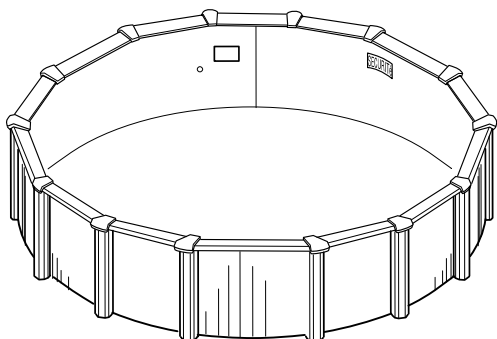


13

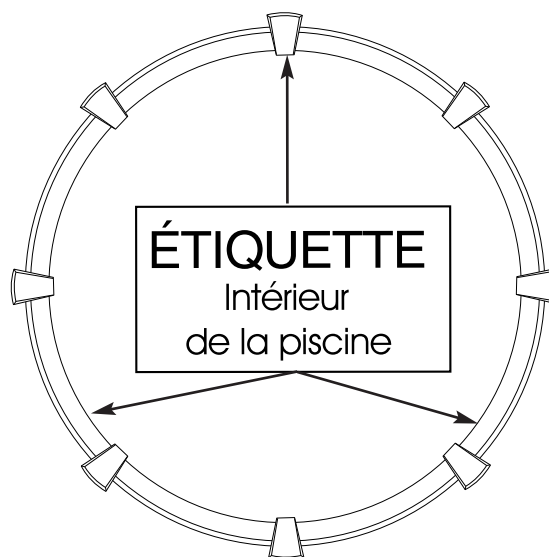
INSTALLATION DES ÉTIQUETTES

Installez les quatre (4) étiquettes de sécurité (DANGER) fournies avec votre piscine comme suit: deux (2) étiquettes visible à l'entrée de la piscine et deux (2) visibles à partir de l'accès principal de la cour arrière.

Important: Si vous désirez des étiquettes supplémentaires, s'il-vous- plaît communiquez avec nous au Citadelpools.com.



Installez un minimum de trois (3) étiquettes de sécurité (fournies avec la toile) à l'intérieur de la piscine de façon à ce que l'on voit toujours une des étiquettes peu importe d'où le baigneur entre dans l'eau. (Voir dessin pour le positionnement)



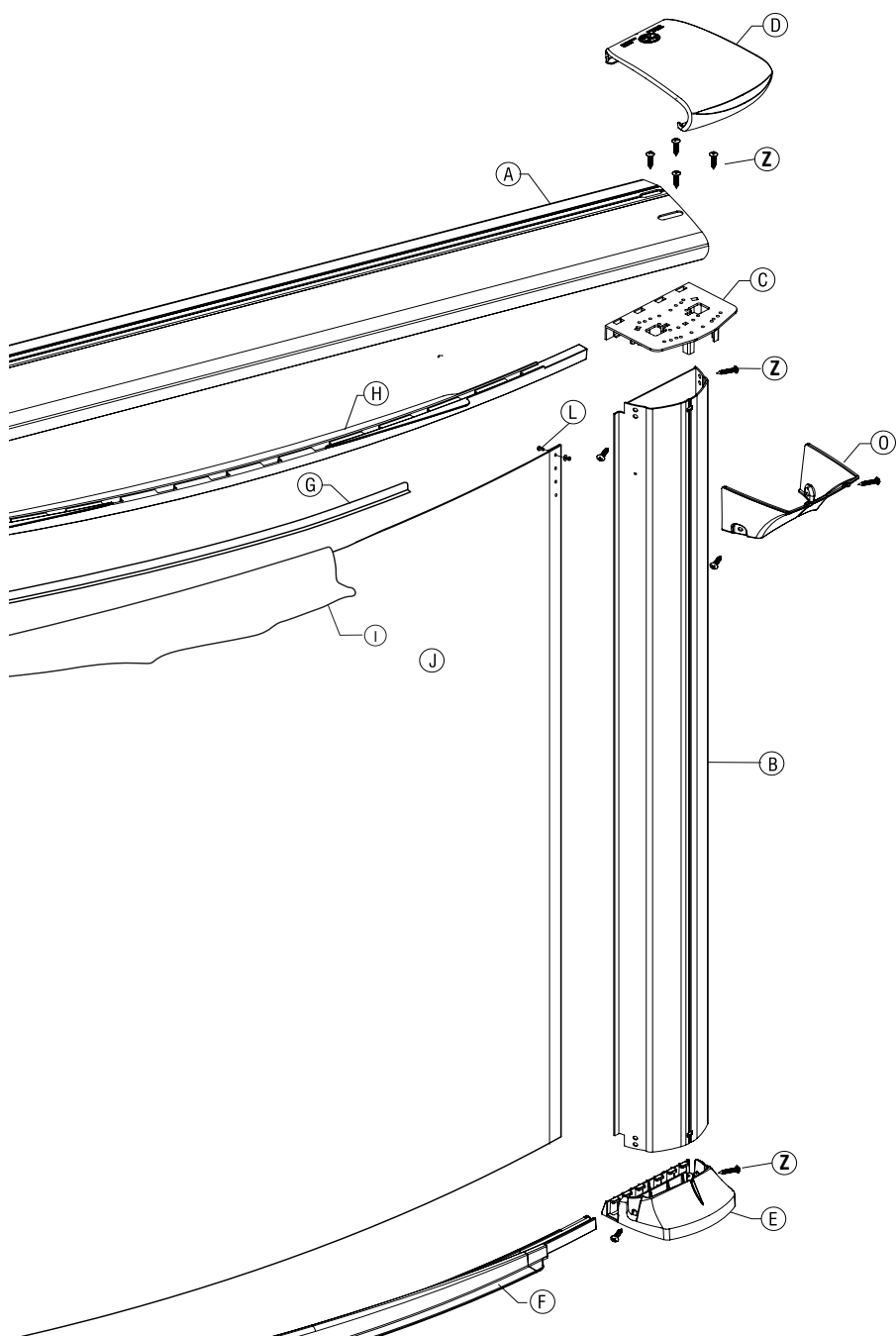
14

MONTAGE DU SYSTÈME DE FILTRATION

Assembler l'écumoire, le drain de fond, le retour d'eau et le système de filtration selon les instructions d'assemblage des fabricants.

Note : Voir les "Informations de sécurité".

ARTICLE	DESCRIPTION	10'	12'	15'	18'	21'	24'	27'	30'	33'
A	Siège	8	10	10	12	14	16	18	20	22
B	Poteau	8	10	10	12	14	16	18	20	22
C	Plaque du haut	8	10	10	12	14	16	18	20	22
D	Couvre-joint de siège	8	10	10	12	14	16	18	20	22
O	Extension de Couvre-joint	8	10	10	12	14	16	18	20	22
E	Plaque du bas	8	10	10	12	14	16	18	20	22
F	Rainure du bas	8	10	10	12	14	16	18	20	22
G	Coupleur en plastique (vendu séparément)	8	10	10	12	14	16	18	20	22
H	Rainure du haut	8	10	10	12	14	16	18	20	22
I	Toile intérieure	1	1	1	1	1	1	1	1	1
J	Mur d'acier	9,55 m (31' 4")	11,58 m (38')	14,38 m (47' 2")	17,07 m (56')	20,02 m (65' 8")	22,89 m (75' 1")	25,73 m (84' 5")	28,60 m (93' 1")	31,45 m (103' 2")
Z	Vis #14 x 1"	64	80	80	96	112	128	144	160	176
L	Boulon - écrou (pour 52")	25 (29)	25 (29)	25 (29)	25 (29)	25 (29)	25 (29)	25 (29)	25 (29)	25 (29)
M	Kit de drain (optionnel)	1	1	1	1	1	1	1	1	1



LE PLAISIR PASSE D'ABORD ET AVANT TOUT PAR LA SÉCURITÉ

CONSIGNES DE SÉCURITÉ

Veillez lire ceci avant de procéder à l'installation de votre piscine hors terre.



12 775, rue Brault, Mirabel, Québec, Canada J7J 0C4
Téléphone : 1 800 448-7384
Télécopieur : 1 866 777-0167

RENSEIGNEMENTS GÉNÉRAUX

Votre piscine peut être sujette à une usure et à une détérioration prématurée si elle n'est pas entretenue adéquatement. Cela pourrait entraîner une défaillance de la structure de la piscine, ce qui pourrait provoquer la libération de grandes quantités d'eau et causer des dommages, des blessures et même la mort.

Afin de s'assurer du bon drainage du terrain au pourtour de la piscine, vous devez ériger une pente de deux (2) degrés pour favoriser le drainage de l'eau. La pente de drainage est très importante. LE MANUFACTURIER DÉCLINE TOUTE RESPONSABILITÉ DÉCOULANT DE L'OMISSION DE CETTE ÉTAPE.

Avant de procéder à l'installation de votre piscine, il est conseillé de vous familiariser avec les règlements du code du bâtiment de votre localité, avec les règlements de zonage et avec le code d'électricité, puis déterminer si un permis de construction ou des travaux électriques sont nécessaires. Il se peut que les règlements de votre localité exigent que votre piscine soit installée selon certaines marges de retrait, que vous deviez installer une clôture ou autre dispositif, ou que vous vous soumettiez à d'autres exigences particulières.

AVERTISSEMENT: Toutes les composantes tels que le système de filtration, les pompes et le chauffe-eau doivent être installées de façon à ne pas pouvoir être utilisées par quiconque pour pénétrer

dans la piscine, ce qui risquerait de leur causer des blessures sérieuses et même entraîner la mort.

Nous ne sommes pas responsables des erreurs d'installation de votre piscine. Nous recommandons fortement de faire installer votre piscine par un professionnel. Nous ne sommes affiliés à aucun installateur de piscine et n'assumons aucune responsabilité pour les dommages résultant d'une mauvaise installation de la part de l'acheteur ou d'un installateur professionnel. L'acheteur doit superviser l'installation de la piscine afin de s'assurer que les méthodes d'installation soient conformes au manuel d'installation inclus avec votre piscine. Des autocollants «**NE PAS PLONGER NE PAS SAUTER**» et «**PRÉVENEZ LA NOYADE**» sont fournis avec votre piscine. Ils doivent être apposés sur la paroi intérieure de votre piscine, au dessus du niveau de l'eau. Toute personne entrant dans la piscine devrait pouvoir voir ces autocollants.

Si vous désirez obtenir des autocollants additionnels, vous pouvez en commander à www.citadelpools.com/contact ou par téléphone au 1 800 448-7384. Nous ne fabriquons pas d'échelles ni de marches de piscine : votre échelle ou vos marches doivent rencontrer les normes de sécurité ainsi que celles de votre région. Une utilisation sécuritaire de l'échelle de la piscine est déterminante dans la prévention d'accidents. Veuillez vous référer au manuel d'utilisateur de votre échelle pour de plus amples renseignements.

ÉQUIPEMENT DE SÉCURITÉ

Pour votre propre protection et pour la sécurité des autres, nous recommandons que le matériel de sauvetage soit accessible en tout temps.

Nous recommandons de se procurer le matériel suivant :

Une perche légère, résistante et rigide d'au moins 4 mètres de long ou une corde mesurant au moins 0,6 cm de diamètre et au moins une fois et demi (1,5x) la largeur ou le diamètre de votre piscine. La corde doit être solidement attachée à une bouée d'environ 40 cm de diamètre extérieur, approuvée par la garde côtière.

CONSEILS DE SÉCURITÉ POUR L'ÉCHELLE

Malgré le fait que nous ne soyons pas fabricant d'échelles, l'utilisation appropriée d'une échelle fait partie des mesures de sécurité liées à l'utilisation de votre piscine.

Les normes ANSI exigent que toutes les piscines soient munies d'une échelle de piscine fixe et conforme, pour entrer dans la piscine et en sortir. L'acheteur doit suivre les instructions d'installation du fabricant de l'échelle de piscine.

Nous suggérons de suivre les règles suivantes lors de l'utilisation de votre échelle :

- Une seule personne à la fois sur l'échelle;
- Lorsque vous montez ou descendez de l'échelle, vous devez faire face à cette dernière;
- **NE PAS PLONGER NI SAUTER** des marches ou de l'échelle;
- Vérifiez tous les écrous et boulons régulièrement pour s'assurer que l'échelle ne représente aucun danger;
- Expliquez à tous les utilisateurs les règles d'utilisation des échelles et des marches.

CONSIGNES DE SÉCURITÉ LORS DE L'UTILISATION DE LA PISCINE

- 1** • Partager les consignes de sécurité avec votre famille, vos amis, les surveillants de la piscine ou vos voisins.
- 2** • S'assurer que l'installateur de la piscine ou celui qui changera la toile de vinyle appose les autocollants de consignes de sécurité sur la toile (à l'intérieur de la piscine au dessus du niveau de l'eau ou bien en vue sur la structure extérieure de la piscine).
- 3** • Ne jamais plonger, sauter ou glisser dans une piscine hors terre, car il y a un risque élevé de frapper le fond de la piscine et de provoquer des blessures graves ou même la mort. Veuillez toujours utiliser l'échelle ou la marche de la piscine pour y entrer et en sortir, et assurez-vous de toujours descendre les pieds en premier. Pour de plus amples renseignements, veuillez consulter les instructions du fabricant de votre échelle de piscine.
- 4** • Ne jamais se baigner seul.
- 5** • Alcool et drogues ne vont pas de pair avec la sécurité. Les personnes sous l'emprise de l'alcool ou de la drogue devraient se voir interdire l'accès à la piscine.
- 6** • La surveillance des baigneurs par un adulte est requise. Ne jamais quitter les baigneurs des yeux, et ce, même pour quelques secondes. Désignez un surveillant adulte en votre absence. Assurez-vous, ainsi que votre surveillant, d'être en mesure d'intervenir en moins de 10 secondes lorsqu'un danger est imminent.
- 7** • Lors de la disparition d'un enfant, regardez toujours en premier dans la piscine.
- 8** • Soyez prévoyants et proactifs pour éviter toute noyade ou invalidité.
- 9** • Il est fortement recommandé aux propriétaires et aux surveillants de la piscine de suivre un cours de Réanimation Cardio Respiratoire (RCR).
- 10** • ATTENTION! Une toile d'hiver ou solaire n'est pas considérée comme un équipement de sécurité pouvant éviter la noyade ou une invalidité permanente. Lors de la baignade, veuillez retirer complètement la toile solaire : cette dernière pourrait empêcher le baigneur de respirer en remontant à la surface.
- 11** • Assurez-vous de posséder un équipement de secourisme adéquat, tel qu'une perche avec crochet et une bouée de sauvetage, près de la piscine.
- 12** • Assurez-vous qu'un téléphone fonctionnel soit à la portée de la main du surveillant. NOTE : si le service 911 n'est pas disponible dans votre localité, veuillez vous assurer que le numéro des services de secours soit facilement accessible.
- 13** • Certains accidents causés par le système de filtration peuvent survenir lors de la baignade:
 - Les cheveux peuvent être aspirés par le drain de fond ou l'écumoire. SOLUTION : assurez-vous que les baigneurs avec cheveux longs portent un bonnet de bain.
 - Les doigts, les orteils, les bijoux et le maillot de bain peuvent rester pris dans le drain de fond. SOLUTION : assurez-vous que le couvercle de drain soit présent et en bon état.
 - Le ventre, le dos ou le bas du dos peuvent rester collés sur le drain. SOLUTION : assurez-vous que la succion du drain soit partagée avec l'écumoire ou complètement fermée.
- 14** • Le circuit électrique doit être conforme au code électrique de votre région.
- 15** • Lors de baignades nocturnes, un système éclairage doit permettre de voir la piscine, l'échelle, les consignes de sécurité ainsi que le trajet pour se rendre à la piscine ou en sortir.
- 16** • Tout appareil électrique doit être installé à une distance suffisante de la piscine, afin que quiconque les escaladerait ne puisse atteindre la structure ou l'eau de la piscine.
- 17** • La plate-forme de la piscine (« deck », si installée) doit être libre de tout objet pouvant faire trébucher les usagers. Nous recommandons d'apposer une surface antidérapante sur la plate-forme pour éviter les chutes accidentelles. Vous devez vous assurer que la plateforme soit solide et stable, en effectuant une inspection régulière des boulons et des clous.
- 18** • Ne laissez personne s'asseoir, grimper, se tenir debout, plonger ou sauter de la bordure.
- 19** • Il est important que l'on puisse voir le fond de la piscine en tout temps, sans quoi vous devrez corriger la limpidité de l'eau avant la baignade.
- 20** • La marche ou l'échelle de la piscine doit être solidement fixée à la structure de la piscine ou à la plate forme. En tout temps, un mécanisme de sécurité doit empêcher toute personne, en particulier un enfant, d'accéder à l'eau de la piscine, sinon veuillez vous assurer que l'échelle soit retirée après la baignade. Veuillez consulter votre municipalité pour connaître les règlements locaux.