

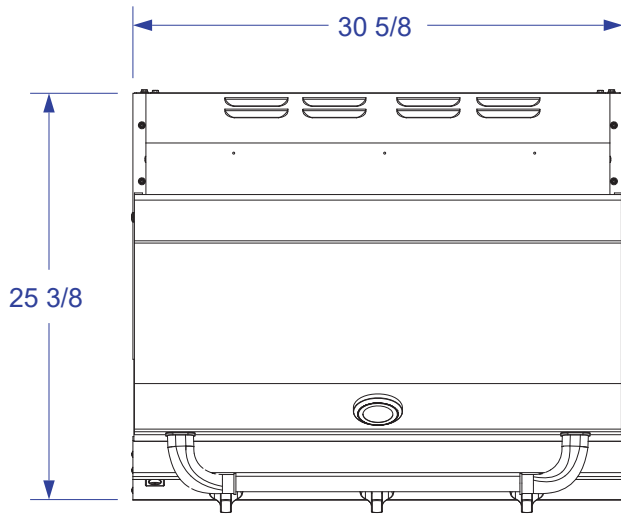
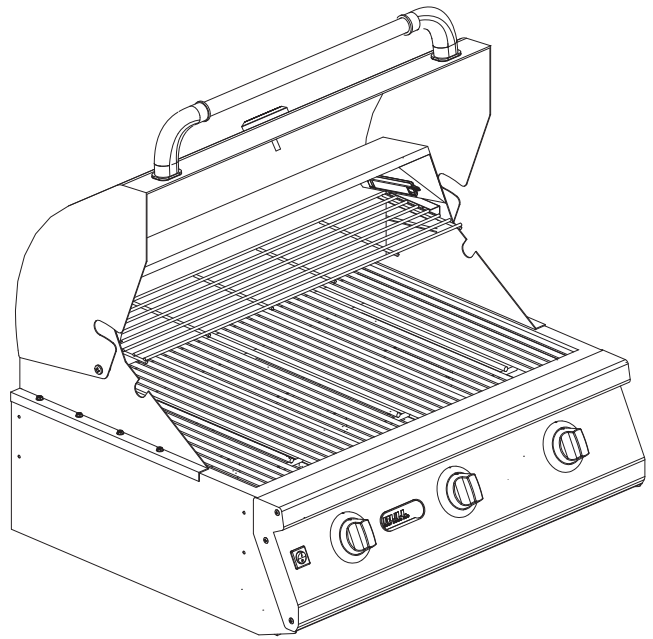


LONESTAR GRILL

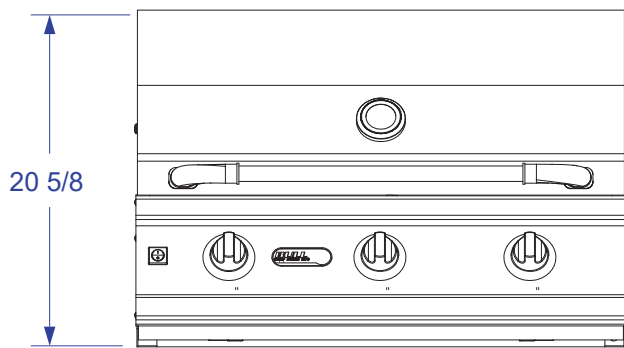
SPEC SHEET

ITEM# 87048 LP

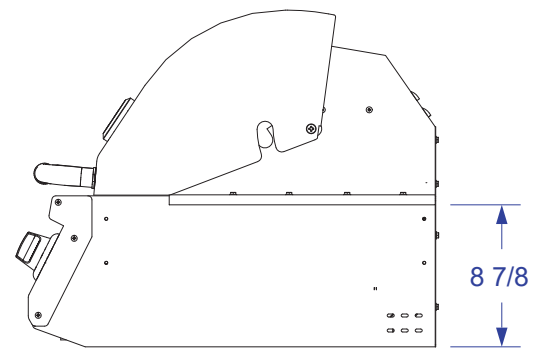
ITEM# 87049 NG



TOP



FRONT



RIGHT

NOTES:

1. CUTOUT DIMENSIONS: 31 1/4"W X 23"L X 10"D
2. ISLAND MUST BE CONSTRUCTED OF NON-COMBUSTIBLE MATERIAL
3. SCALE: 1" = 1'-0"