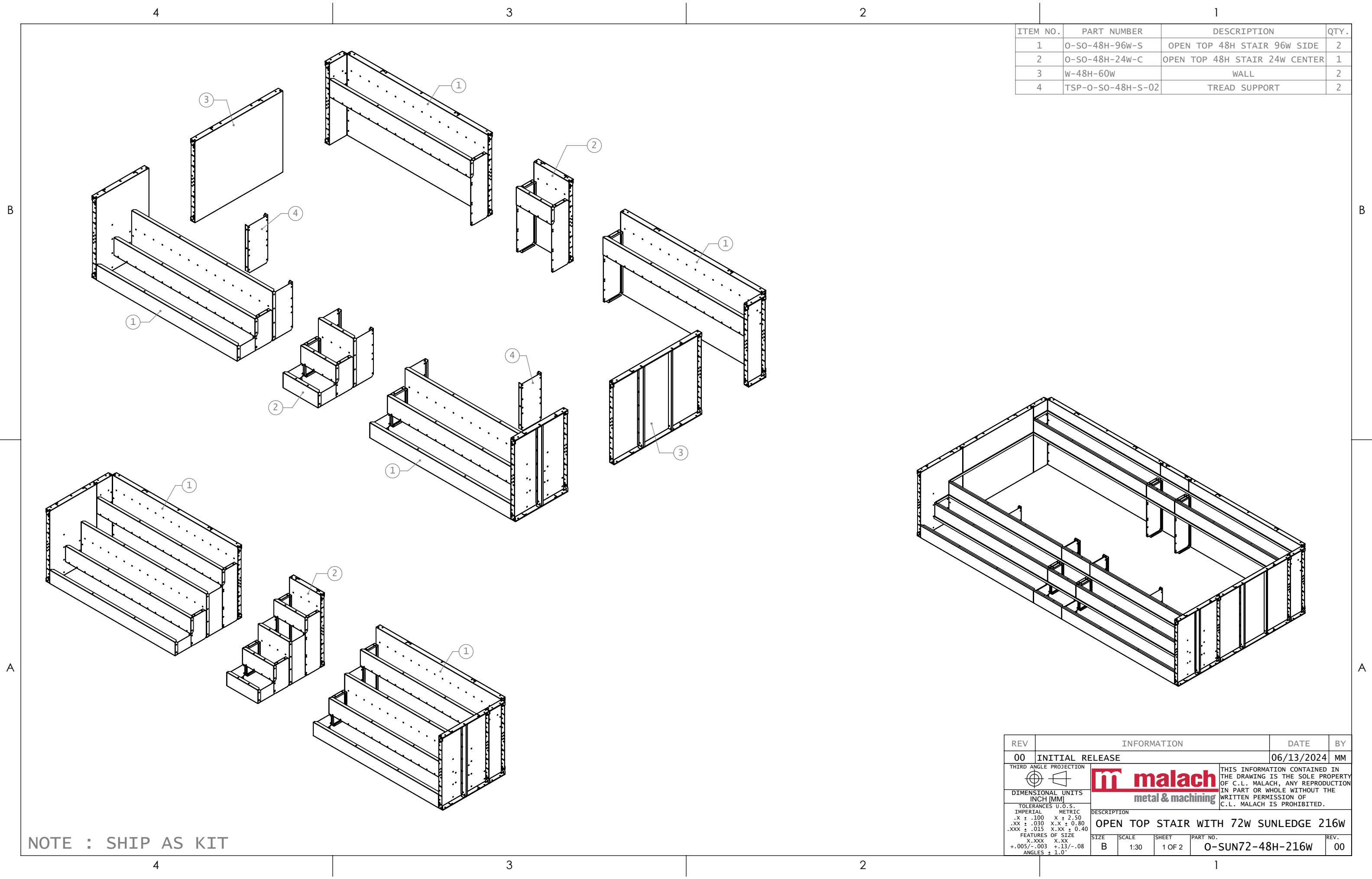


ITEM NO.	PART NUMBER	DESCRIPTION	QTY.
1	O-SO-48H-96W-S	OPEN TOP 48H STAIR 96W SIDE	2
2	O-SO-48H-24W-C	OPEN TOP 48H STAIR 24W CENTER	1
3	W-48H-60W	WALL	2
4	TSP-O-SO-48H-S-02	TREAD SUPPORT	2



NOTE : SHIP AS KIT

REV	INFORMATION	DATE	BY
00	INITIAL RELEASE	06/13/2024	MM

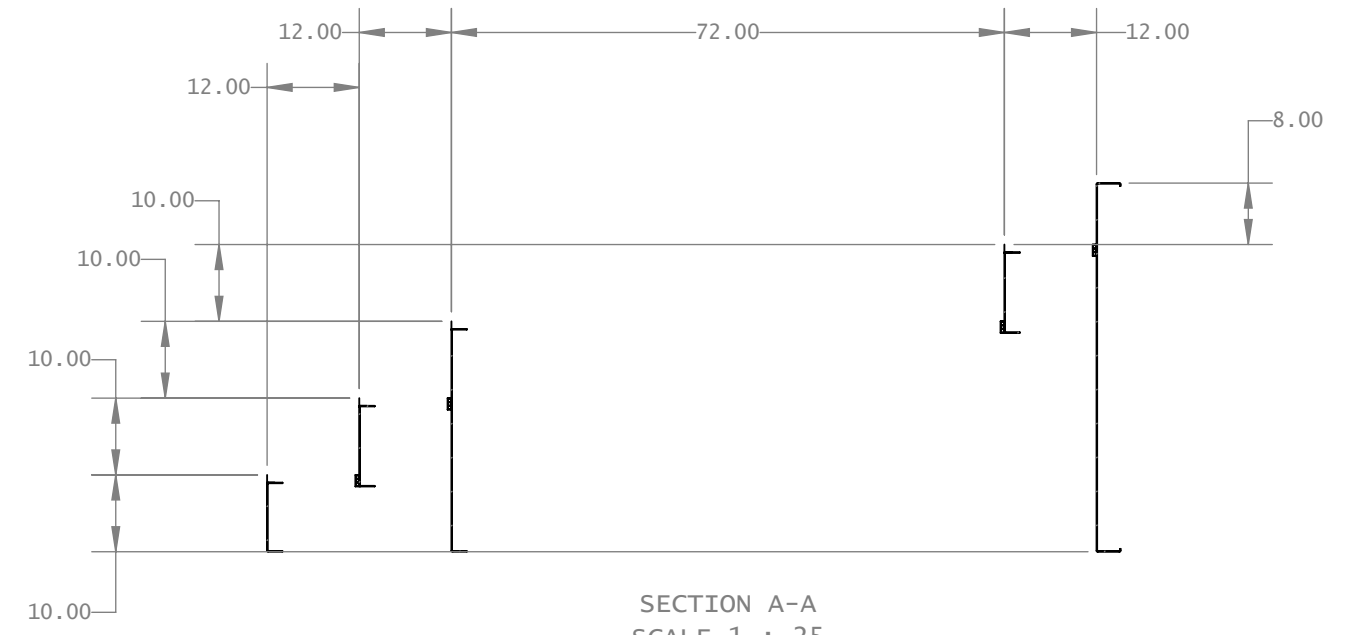
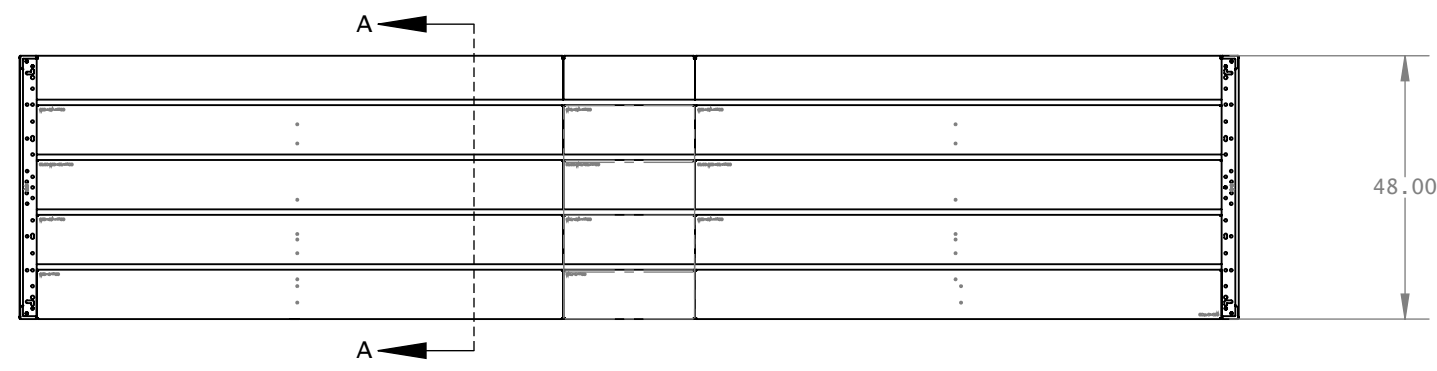
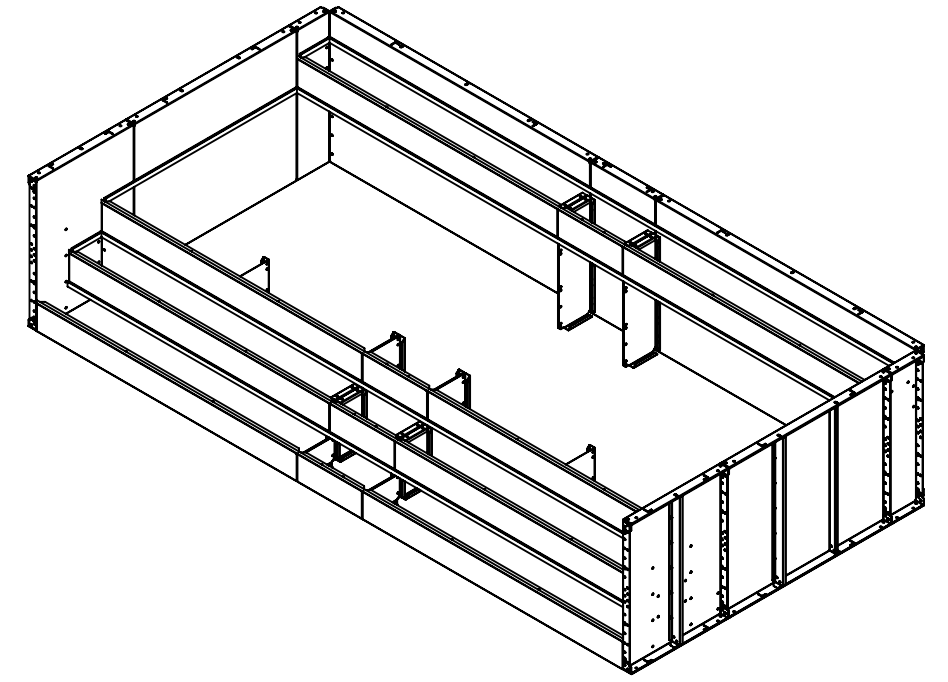
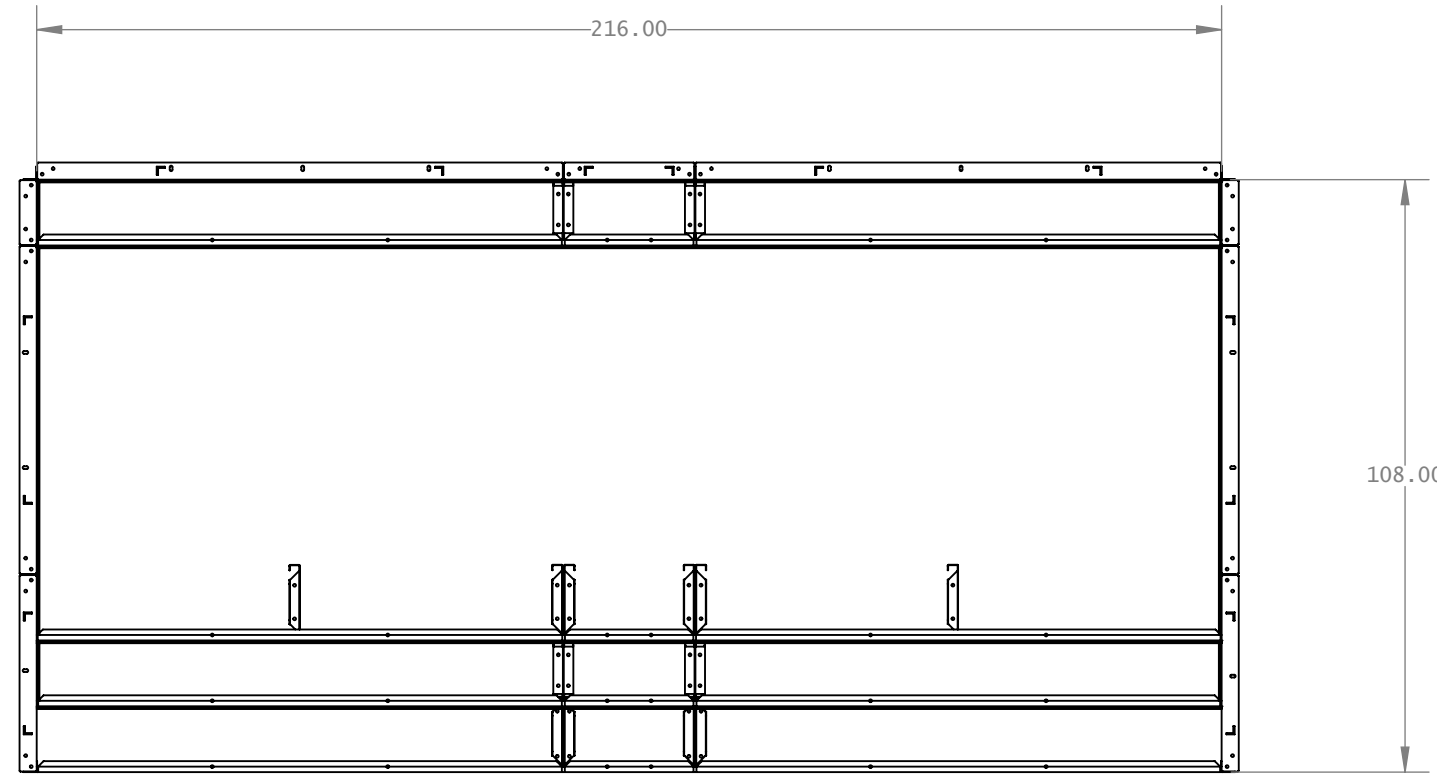
				<small>THIS INFORMATION CONTAINED IN THE DRAWING IS THE SOLE PROPERTY OF C.L. MALACH, ANY REPRODUCTION IN PART OR WHOLE WITHOUT THE WRITTEN PERMISSION OF C.L. MALACH IS PROHIBITED.</small>	
<small>DIMENSIONAL UNITS INCH (MM)</small>		<small>DESCRIPTION</small>		<small>OPEN TOP STAIR WITH 72W SUNLEDGE 216W</small>	
<small>TOLERANCES U.O.S. IMPERIAL METRIC</small>		<small>SIZE</small>		<small>SCALE</small>	
<small>.X ± .100 X ± 2.50</small> <small>.XX ± .030 X.X ± 0.80</small> <small>.XXX ± .015 X.XX ± 0.40</small>		<small>B</small>		<small>1:30</small>	
<small>FEATURES OF SIZE</small>		<small>SHEET</small>		<small>PART NO.</small>	
<small>X.XXX X.XX</small> <small>+.005/- .003 +.13/- .08</small> <small>ANGLES ± 1.0°</small>		<small>1 OF 2</small>		<small>O-SUN72-48H-216W</small>	
		<small>REV.</small>		<small>00</small>	

4

3

2

1



SECTION A-A
SCALE 1 : 25

NOTE : SHIP AS KIT

REV	INFORMATION	DATE	BY
00	INITIAL RELEASE	06/13/2024	MM

			THIS INFORMATION CONTAINED IN THE DRAWING IS THE SOLE PROPERTY OF C.L. MALACH, ANY REPRODUCTION IN PART OR WHOLE WITHOUT THE WRITTEN PERMISSION OF C.L. MALACH IS PROHIBITED.
DIMENSIONAL UNITS INCH (MM)			
TOLERANCES U.O.S. IMPERIAL METRIC .X ± .100 X ± 2.50 .XX ± .030 X.X ± 0.80 .XXX ± .015 X.XX ± 0.40		DESCRIPTION OPEN TOP STAIR WITH 72W SUNLEDGE 216W	
FEATURES OF SIZE X.XXX X.XX +.005/- .003 +.13/- .08 ANGLES ± 1.0°		SIZE B	SCALE 1:30
		SHEET 2 OF 2	PART NO. O-SUN72-48H-216W
			REV. 00

4

3

2

1