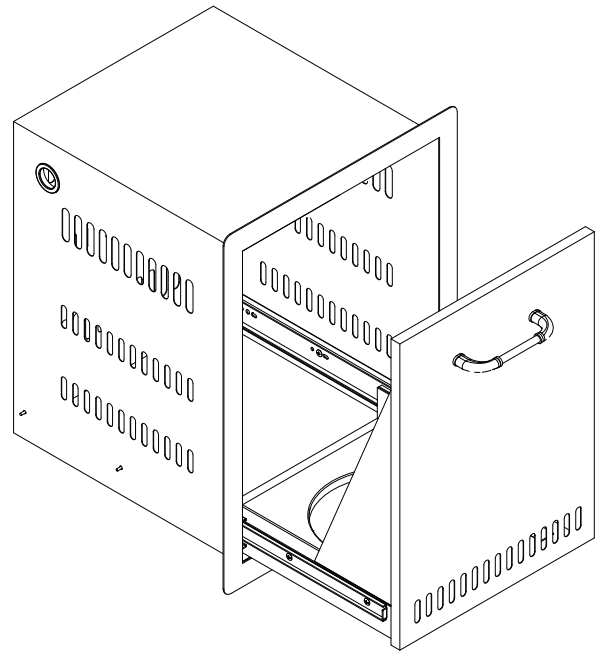


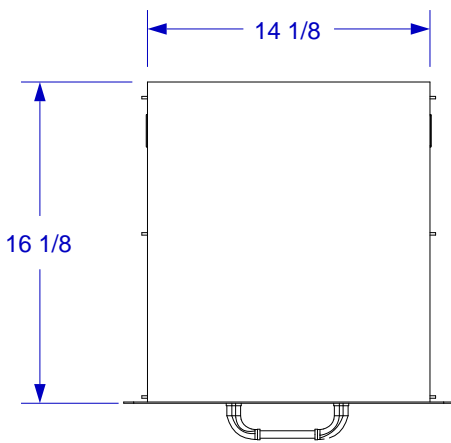


PROPANE/TRASH DRAWER SPEC SHEET

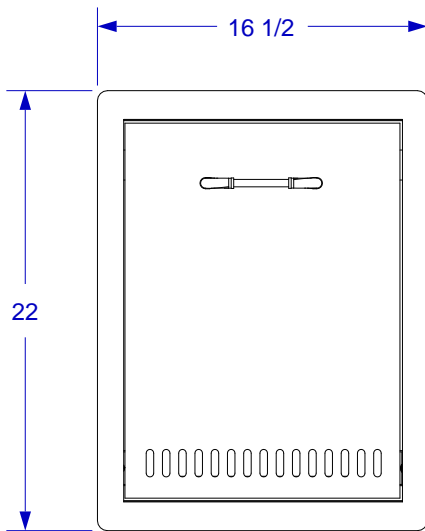
SKU #56825 S



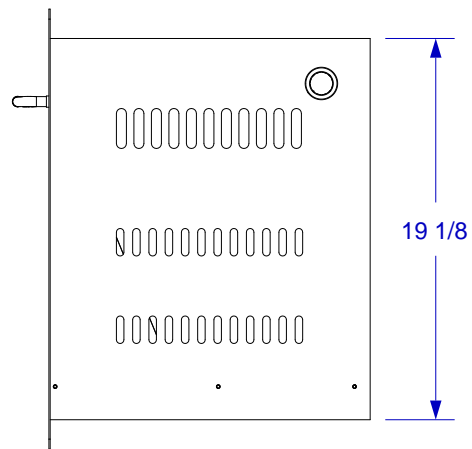
ISOMETRIC VIEW



TOP VIEW



FRONT VIEW



RIGHT SIDE VIEW

NOTES:

1. CUTOUT DIMENSIONS: 14 3/4" W X 19 3/4" H X 16 1/2" D
2. SCALE: 1 1/4" = 1'-0"
3. REVISION: 06/2015